

ELLERBE BECKET



THE STADIUM at RENTSCHLER FIELD

EAST HARTFORD, CONNECTICUT

CONSTRUCTION RECORD DOCUMENTS

30 AUGUST 2003

VOLUME 6 OF 7

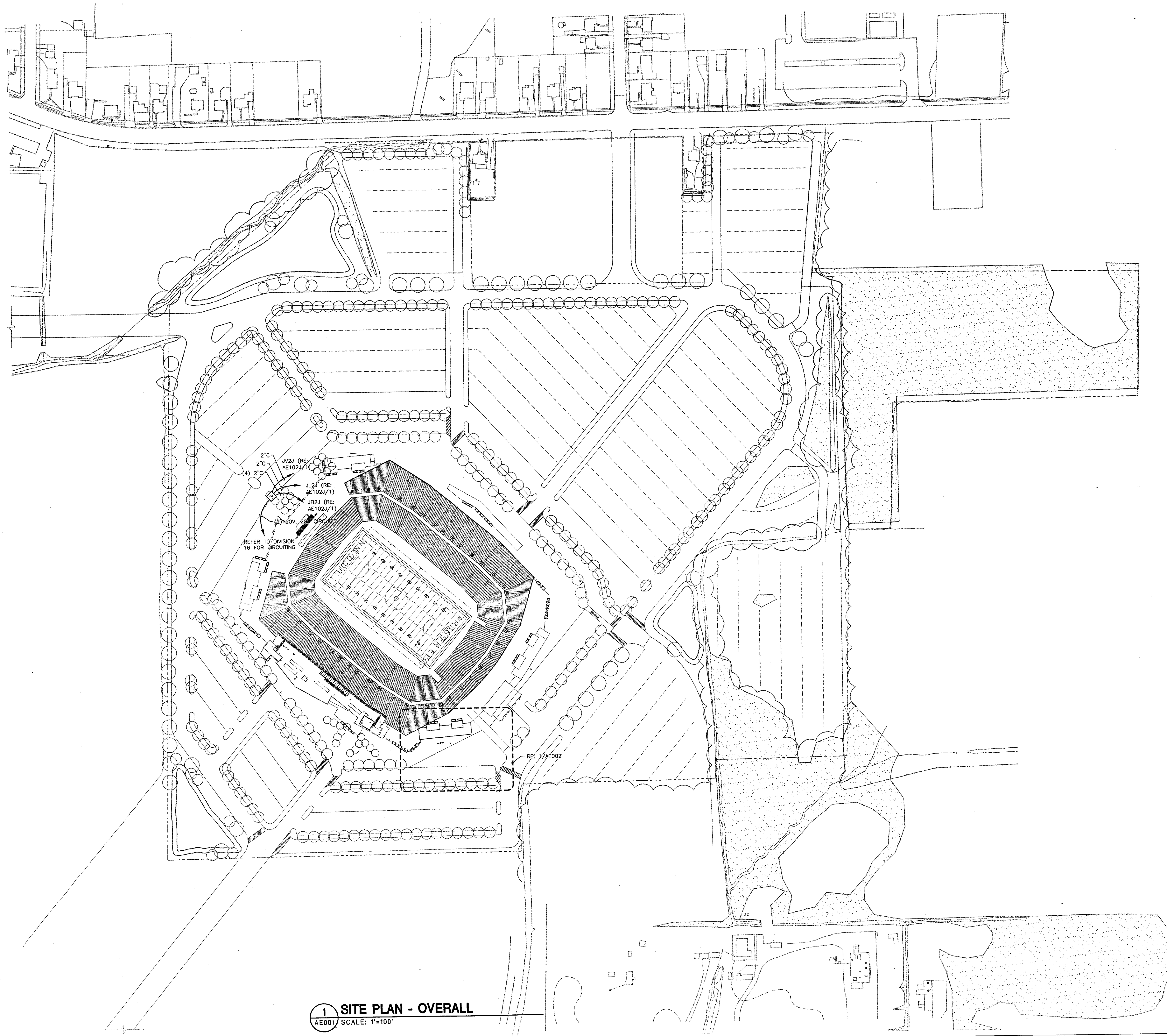
**AUDIO/VISUAL
TELECOMMUNICATIONS**

MASTER LIST OF DRAWINGS

SHEET NO.	SHEET TITLE
G001	LIST OF DRAWINGS
E5101	EXTING PLAN - SERVICE LVL
E5102	EXTING PLAN - CONCOURSE
E5103	EXTING PLAN - CLUB LVL
E5104	EXTING PLAN - SUITE/PRESS/PHOTO LVLS
GEOTECHNICAL	
G1100	LOW DENSITY CONCRETE FILL PLAN
G1101	LOW DENSITY CONCRETE FILL SECTIONS
G1102	LOW DENSITY CONCRETE FILL SECTIONS AND DETAILS
G1200	SUBSURFACE DRAINAGE AND DETAILING
G1300	LOW DENSITY CONCRETE FILL AND GROUNDWATER CUT-OFF PLAN
G1301	SUBSURFACE DRAINAGE AND DETAILING
CIVIL	
C905	SITE DETAILS, EXISTING PRATT & WHITNEY SIGN DETAILS
C906	SITE DETAILS
C907	SITE DETAILS
LANDSCAPE	
L3	OVERALL PLANTING PLAN
L4	PLANTING PLAN
L5	PLANTING PLAN
L6	PLANTING PLAN
L7	PLANTING PLAN
L8	PLANTING PLAN
L9	ROBERTS STREET ENTRANCE
SPORTS TURF	
G-1	FINISH GRADING PLAN
SR-1	SUBDRAINAGE PLAN
IR-1	IRRIGATION PLAN
D-1	MISC. DETAILS & SECTIONS
ARCHITECTURE	
A001	SHEET LIST
G002	ABBREVIATIONS, NOTES, SYMBOLS
G003	PARTITION TYPES
G004	LIFE SAFETY
G005	ACCESSIBILITY INFO./BLDG. ACC.
A001	SITE PLAN
A100	GEOMETRY PLAN
A101	SERVICE LEVEL FLOOR PLAN (LEVEL 1)
A101B	SERVICE LEVEL FLOOR PLAN (LEVEL 1) - AREA B
A101C	SERVICE LEVEL FLOOR PLAN (LEVEL 1) - AREA C
A101D	SERVICE LEVEL FLOOR PLAN (LEVEL 1) - AREA D
A102	CONCOURSE LEVEL FLOOR PLAN (LEVEL 2)
A102A	CONCOURSE LEVEL FLOOR PLAN (LEVEL 2) - AREA A
A102B	CONCOURSE LEVEL FLOOR PLAN (LEVEL 2) - AREA B
A102C	CONCOURSE LEVEL FLOOR PLAN (LEVEL 2) - AREA C
A102D	CONCOURSE LEVEL FLOOR PLAN (LEVEL 2) - AREA D
A102E	CONCOURSE LEVEL FLOOR PLAN (LEVEL 2) - AREA E
A102F	CONCOURSE LEVEL FLOOR PLAN (LEVEL 2) - AREA F
A102G	CONCOURSE LEVEL FLOOR PLAN (LEVEL 2) - AREA G
A102H	CONCOURSE LEVEL FLOOR PLAN (LEVEL 2) - AREA H
A102I	CONCOURSE LEVEL FLOOR PLAN (LEVEL 2) - AREA I
A102J	CONCOURSE LEVEL FLOOR PLAN (LEVEL 2) - AREA J
A102.5A	BOWL DIMENSION PLAN - AREA A
A102.5B	BOWL DIMENSION PLAN - AREA B
A102.5C	BOWL DIMENSION PLAN - AREA C
A102.5D	BOWL DIMENSION PLAN - AREA D
A102.5E	BOWL DIMENSION PLAN - AREA E
A102.5F	BOWL DIMENSION PLAN - AREA F
A102.5G	BOWL DIMENSION PLAN - AREA G
A102.5H	BOWL DIMENSION PLAN - AREA H
A102.5I	BOWL DIMENSION PLAN - AREA I
A102.5J	BOWL DIMENSION PLAN - AREA J
A103	CLUB LEVEL FLOOR PLAN (LEVEL 3)
A103A	CLUB LEVEL FLOOR PLAN (LEVEL 3) - AREA A
A103B	CLUB LEVEL FLOOR PLAN (LEVEL 3) - AREA B
A104	SUITE LEVEL/PRESS LEVEL/PHOTO DECK LEVEL FLOOR PLANS (LEVELS 4-6)
A105A	SUITE LEVEL FLOOR PLAN (LEVEL 4) - AREA A
A105B	SUITE LEVEL FLOOR PLAN (LEVEL 4) - AREA B
A106A	PRESS LEVEL FLOOR PLAN (LEVEL 5) - AREA A
A106B	PRESS LEVEL FLOOR PLAN (LEVEL 5) - AREA B
A107A	PHOTO DECK UPPER FLOOR PLAN (LEVEL 6) - AREA A
A107B	PHOTO DECK LEVEL FLOOR PLAN (LEVEL 6) - AREA B
A108	INT. LEVEL FLOOR PLAN/CONCOURSE ROOF PLAN
A108.1	ENLARGED ROOF PLAN
A109	ROOF PLAN
A109A	ROOF PLAN - AREA A
A109B	ROOF PLAN - AREA B
A110	ENLARGED FLOOR PLANS
A111	HIGH SCHOOL COACHES HALL OF FAME
A201	SERVICE LEVEL REFLECTED CEILING PLAN (LEVEL 1)
A201B	SERVICE LEVEL REFLECTED CEILING PLAN (LEVEL 1) - AREA B
A201C	SERVICE LEVEL REFLECTED CEILING PLAN (LEVEL 1) - AREA C
A201D	SERVICE LEVEL REFLECTED CEILING PLAN (LEVEL 1) - AREA D
A202	CONCOURSE LEVEL REFLECTED CEILING PLAN (LEVEL 2)
A202A	CONCOURSE LEVEL REFLECTED CEILING PLAN (LEVEL 2) - AREA A
A202B	CONCOURSE LEVEL REFLECTED CEILING PLAN (LEVEL 2) - AREA B
A202C	CONCOURSE LEVEL REFLECTED CEILING PLAN (LEVEL 2) - AREA C
A202D	CONCOURSE LEVEL REFLECTED CEILING PLAN (LEVEL 2) - AREA D
A202E	CONCOURSE LEVEL REFLECTED CEILING PLAN (LEVEL 2) - AREA E
A202F	CONCOURSE LEVEL REFLECTED CEILING PLAN (LEVEL 2) - AREA F
A202G	CONCOURSE LEVEL REFLECTED CEILING PLAN (LEVEL 2) - AREA G
A202H	CONCOURSE LEVEL REFLECTED CEILING PLAN (LEVEL 2) - AREA H
A202J	CONCOURSE LEVEL REFLECTED CEILING PLAN (LEVEL 2) - AREA J
A203	CLUB LEVEL REFLECTED CEILING PLAN (LEVEL 3)
A203A	CLUB LEVEL REFLECTED CEILING PLAN (LEVEL 3) - AREA A
A203B	CLUB LEVEL REFLECTED CEILING PLAN (LEVEL 3) - AREA B
A204	SUITE/PRESS/PHOTO LEVEL OVERALL REFLECTED CEILING PLAN (LEVEL 4)
A205A	SUITE LEVEL REFLECTED CEILING PLAN (LEVEL 4) - AREA A
A205B	SUITE LEVEL REFLECTED CEILING PLAN (LEVEL 4) - AREA B
A206A	SUITE/PRESS LEVEL REFLECTED CEILING PLAN (LEVEL 5) - AREA A
A206B	SUITE/PRESS LEVEL REFLECTED CEILING PLAN (LEVEL 5) - AREA B
A207A	PHOTO DECK LEVEL REFLECTED CEILING PLAN (LEVEL 6) - AREA A
A207B	PHOTO DECK LEVEL REFLECTED CEILING PLAN (LEVEL 6) - AREA B
A211	ENLARGED SUITE REFLECTED CEILING PLANS
A300	BUILDING ELEVATIONS
A301	BUILDING ELEVATIONS
A302	ENLARGED ELEVATIONS
A303	ENLARGED ELEVATIONS
A304	SCOREBOARD PLANS, SECTIONS, ELEVATIONS
A305	SCOREBOARD ELEVATIONS, SECTIONS
A306	CONCOURSE BUILDING ELEVATIONS
A307	CONCOURSE BUILDING ELEVATIONS
A308	CONCOURSE BUILDING ELEVATIONS
A309	CONCOURSE BUILDING ELEVATIONS
A310	CONCOURSE BUILDING ELEVATIONS
A311	CONCOURSE BUILDING ELEVATIONS
A312	CONCOURSE BUILDING ELEVATIONS
A313	CAMERA/TEAM VIDEO BOOTHS
A401	BUILDING SECTIONS
A402	BUILDING SECTIONS
A403	BUILDING SECTIONS
A404	BUILDING SECTIONS
A405	SERVICE/CONCOURSE LEVEL BUILDING SECTIONS
A406	BUILDING SECTIONS FIELD GLAZING ALTERNATE
A411	PRESS BOX FIELD SIDE WALL SECTIONS
A412	PRESS BOX WALL SECTIONS
A413	PRESS BOX WALL SECTIONS
A414	PRESS BOX WALL SECTIONS
A415	PRESS BOX WALL SECTIONS
A416	CONCOURSE LEVEL WALL SECTIONS
A500	SEATING BOWL PLAN
A501	SEATING BOWL DETAILS
A502	SEATING BOWL DETAILS
A503	SEATING BOWL DETAILS
A504	MISC. DETAILS
A505	MISC. DETAILS
A506	SCOREBOARD DETAILS
A507	SCOREBOARD DETAILS
A508	MISC. DETAILS
A510	PLAN DETAILS
A511	PLAN DETAILS

SHEET NO.	SHEET TITLE
ARCHITECTURE (CONT.)	
A512	PLAN DETAILS
A513	PLAN DETAILS
A514	PRESS BOX FIELD SIDE PLAN DETAILS
A515	PRESS BOX FIELD SIDE PLAN DETAILS
A516	PRESS BOX EXTERIOR WALL DETAILS
A517	PRESS BOX EXTERIOR WALL DETAILS
A518	PRESS BOX EXTERIOR WALL DETAILS
A519	CONCOURSE LEVEL WALL DETAILS
A522	ROOF DETAILS
A530	DOOR/OPENING LEGEND
A531	DOOR DETAILS
A533	DETAILS
A534	MISC. EXTERIOR DETAILS
A601	STAIR A PLANS AND SECTIONS
A602	STAIR B PLANS AND SECTIONS
A603	STAIR C PLANS AND SECTIONS
A611	ELEVATOR PLANS AND SECTIONS #1 & #2
A612	ELEVATOR PLANS AND SECTIONS #3 & #4
A700	ENLARGED SERVICE LEVEL PLANS
A701	ENLARGED SERVICE LEVEL PLANS
A702	ENLARGED SERVICE LEVEL TOILET RM PLANS
A703	ENLARGED TYPICAL SUITE PLAN
A704	CLUB/SUITE/PRESS LEVELS CARPET DIAGRAM
A705	ENLARGED CONCOURSE TOILET RM PLANS
A706	ENLARGED CONCOURSE TOILET RM PLANS
A707	ENLARGED CONCOURSE TOILET RM PLANS
A708	ENLARGED CONCOURSE TOILET RM PLANS
A709	ENLARGED CONCOURSE TOILET RM PLANS
A710	ENLARGED CLUB/PRESS LEVEL TOILET RM PLANS
A711	W. PLAZA CLOSURE GATE & MASONRY PIER ADD'L #1
A801	INTERIOR ELEVATIONS - SERVICE LEVEL
A802	INTERIOR ELEVATIONS - SERVICE LEVEL
A803	INTERIOR ELEVATIONS - CONCOURSE LEVEL
A804	INTERIOR ELEVATIONS - CLUB LEVEL
A805	INTERIOR ELEVATIONS - CLUB LEVEL
A806	INTERIOR ELEVATIONS - CLUB LEVEL
A807	UNIVERSITY PRESENTATION SUITE & MISC. INTERIOR ELEVATIONS
A808	INTERIOR ELEVATIONS - PRESS LEVEL
A809	INTERIOR ELEVATIONS - PRESS LEVEL
A901	INTERIOR MILLWORK DETAILS
A902	INTERIOR MILLWORK DETAILS
A903	INTERIOR DETAILS
A904	INTERIOR MILLWORK DETAILS
A920	CEILING DETAILS
STRUCTURAL	
S001	GENERAL NOTES, & ABBREVIATIONS
S101A	FOUNDATION PLAN AREA A
S101B	FOUNDATION PLAN AREA B
S101C	FOUNDATION PLAN AREA C
S101D	FOUNDATION PLAN AREA D
S101E	FOUNDATION PLAN AREA E
S101F	FOUNDATION PLAN AREA F
S101G	FOUNDATION PLAN AREA G
S101H	FOUNDATION PLAN AREA H
S101I	FOUNDATION PLAN AREA I
S101J	FOUNDATION PLAN AREA J
S101K	FOUNDATION PLAN - LOADING DOCK RAMP
S102A	CONCOURSE FRAMING PLAN AREA A
S102B	CONCOURSE FRAMING PLAN AREA B
S102C	CONCOURSE FRAMING PLAN AREA C
S102D	CONCOURSE FRAMING PLAN AREA D
S102E	CONCOURSE FRAMING PLAN AREA E
S102F	CONCOURSE FRAMING PLAN AREA F
S102G	CONCOURSE FRAMING PLAN AREA G
S102H	CONCOURSE FRAMING PLAN AREA H
S102I	CONCOURSE FRAMING PLAN AREA I
S102J	CONCOURSE FRAMING PLAN AREA J
S102.1A	ELEVATION 67'-3" & 82'-7" FRAMING PLAN AREA A
S102.1B	ELEVATION 67'-3" & 82'-7" FRAMING PLAN AREA B
S102.5A	UPPER BOWL FRAMING PLAN AREA A
S102.5B	UPPER BOWL FRAMING PLAN AREA B
S102.5C	UPPER BOWL FRAMING PLAN AREA C
S102.5D	UPPER BOWL FRAMING PLAN AREA D
S102.5E	UPPER BOWL FRAMING PLAN AREA E
S102.5F	UPPER BOWL FRAMING PLAN AREA F
S102.5G	UPPER BOWL FRAMING PLAN AREA G
S102.5H	UPPER BOWL FRAMING PLAN AREA H
S102.5I	UPPER BOWL FRAMING PLAN AREA I
S102.5J	UPPER BOWL FRAMING PLAN AREA J
S103A	CLUB LEVEL FRAMING PLAN AREA A
S103B	CLUB LEVEL FRAMING PLAN AREA B
S105A	SUITE LEVEL FRAMING PLAN AREA A
S105B	SUITE LEVEL FRAMING PLAN AREA B
S106A	PRESS LEVEL FRAMING PLAN AREA A
S106B	PRESS LEVEL FRAMING PLAN AREA B
S107A	PHOTO DECK FRAMING PLAN AREA A
S107B	PHOTO DECK FRAMING PLAN AREA B
S108A	CONCOURSE ROOF FRAMING PLAN AREA A
S108B	CONCOURSE ROOF FRAMING PLAN AREA B
S108C	CONCOURSE ROOF FRAMING PLAN AREA C
S108D	CONCOURSE ROOF FRAMING PLAN AREA D
S108E	CONCOURSE ROOF FRAMING PLAN AREA E
S108F	CONCOURSE ROOF FRAMING PLAN AREA F
S108G	CONCOURSE ROOF FRAMING PLAN AREA G
S108H	CONCOURSE ROOF FRAMING PLAN AREA H
S108J	CONCOURSE ROOF FRAMING PLAN AREA J
S109A	HIGH ROOF/FLOOR FRAMING PLANS AREAS A & B
S110	SCOREBOARD FRAMING PLANS, BRACED FRAME ELEVATIONS, AND COLUMN SCHEDULE
S120	SERVICE LEVEL STORM WATER PUMP STATION PLAN AND SECTION
S121	PRECAST VALVE AND PUMP CHAMBER
S201	FOUNDATION SECTIONS & DETAILS
S202	FOUNDATION SECTIONS & DETAILS
S203	FOUNDATION SECTIONS & DETAILS
S204	FOUNDATION SECTIONS & DETAILS
S205	FOUNDATION SECTIONS & DETAILS
S301	UPPER BOWL FRAMING SECTIONS
S302	UPPER BOWL FRAMING SECTIONS
S303	UPPER BOWL FRAMING SECTIONS
S304	REVIS'D BUTTRISS DETAILS
S401	PRECAST DETAILS
S402	PRECAST DETAILS
S403	PRECAST DETAILS
S501	FRAMING SECTIONS & DETAILS
S502	FRAMING SECTIONS & DETAILS
S503	FRAMING SECTIONS & DETAILS
S504	FRAMING SECTIONS & DETAILS
S505	FRAMING SECTIONS & DETAILS
S506	FRAMING SECTIONS & DETAILS
S507	FRAMING SECTIONS & DETAILS
S601	CONCRETE COLUMN SCHEDULE AND CONCRETE SLAB DETAILS
S602	CONCRETE BEAM SCHEDULE AND DETAILS
S603	CONCRETE BEAM SECTIONS
S604	CONCRETE BEAM SECTIONS
S610	CONCRETE VOMITORY WALL DETAILS
S611	CONCRETE BUTTRISS WALL DETAILS
S612	CONCRETE BUTTRISS WALL DETAILS
S613	CONCRETE FRAMING DETAILS
S701	STEEL COLUMN SCHEDULE
S702	STEEL COLUMN DETAILS
S703	BRACED FRAME ELEVATIONS & DETAILS
S704	FRAMING ELEVATIONS
S801	MASONRY DETAILS
S802	MASONRY DETAILS AND CANOPY FRAMING
S803	MASONRY DETAILS AND CANOPY FRAMING

SHEET NO.	SHEET TITLE
MECHANICAL	
M001	HVAC NOTES AND ABBREVIATIONS
M101B	SERVICE LEVEL HVAC FLOOR PLAN - AREA B
M101C	SERVICE LEVEL HVAC FLOOR PLAN - AREA C
M101D	SERVICE LEVEL HVAC FLOOR PLAN - AREA D
M102A	CONCOURSE LEVEL HVAC FLOOR PLAN - AREA A
M102B	CONCOURSE LEVEL HVAC FLOOR PLAN - AREA B
M102C	CONCOURSE LEVEL HVAC FLOOR PLAN - AREA C
M102D	CONCOURSE LEVEL HVAC FLOOR PLAN - AREA D
M102E	CONCOURSE LEVEL HVAC FLOOR PLAN - AREA E
M102F	CONCOURSE LEVEL HVAC FLOOR PLAN - AREA F
M102G	CONCOURSE LEVEL HVAC FLOOR PLAN - AREA G
M102H	CONCOURSE LEVEL HVAC FLOOR PLAN - AREA H
M102I	CONCOURSE LEVEL HVAC FLOOR PLAN - AREA I
M102J	CONCOURSE LEVEL HVAC FLOOR PLAN - AREA J
M103A	CLUB LEVEL HVAC FLOOR PLAN - AREA A
M103B	CLUB LEVEL HVAC FLOOR PLAN - AREA B
M103C	CLUB LEVEL HVAC FLOOR PLAN - AREA C
M105A	SUITE LEVEL HVAC FLOOR PLAN - AREA A
M105B	SUITE LEVEL HVAC FLOOR PLAN - AREA B
M105C	SUITE/PRESS LEVEL HVAC FLOOR PLAN - AREA A
M105D	SUITE/PRESS LEVEL HVAC FLOOR PLAN - AREA B
M105E	SUITE LEVEL HVAC FLOOR PLAN - AREA A
M105F	SUITE LEVEL HVAC FLOOR PLAN - AREA B
M105G	SUITE LEVEL HVAC FLOOR PLAN - AREA C
M105H	CONCESSION LEVEL HVAC ROOF PLAN - AREA A
M105I	CONCESSION LEVEL HVAC ROOF PLAN - AREA B
M105J	CONCESSION LEVEL HVAC ROOF PLAN - AREA C
M105K	CONCESSION LEVEL HVAC ROOF PLAN - AREA D
M105L	CONCESSION LEVEL HVAC ROOF PLAN - AREA E
M105M	CONCESSION LEVEL HVAC ROOF PLAN - AREA F
M105N	CONCESSION LEVEL HVAC ROOF PLAN - AREA G
M105O	CONCESSION LEVEL HVAC ROOF PLAN - AREA H
M105P	CONCESSION LEVEL HVAC ROOF PLAN - AREA I
M105Q	CONCESSION LEVEL HVAC ROOF PLAN - AREA J
M105R	CONCESSION LEVEL HVAC ROOF PLAN - AREA A
M105S	CONCESSION LEVEL HVAC ROOF PLAN - AREA B
M105T	CONCESSION LEVEL HVAC ROOF PLAN - AREA C
M105U	CONCESSION LEVEL HVAC ROOF PLAN - AREA D
M105V	CONCESSION LEVEL HVAC ROOF PLAN - AREA E
M105W	CONCESSION LEVEL HVAC ROOF PLAN - AREA F
M105X	CONCESSION LEVEL HVAC ROOF PLAN - AREA G
M105Y	CONCESSION LEVEL HVAC ROOF PLAN - AREA H
M105Z	CONCESSION LEVEL HVAC ROOF PLAN - AREA I
M105AA	CONCESSION LEVEL HVAC ROOF PLAN - AREA J
M201	MECHANICAL SECTIONS/RISERS
M202	MECHANICAL DETAILS
M203	MECHANICAL DETAILS
M204	MECHANICAL DETAILS
M301	MECHANICAL SCHEDULES - SHEET 1
M302	MECHANICAL SCHEDULES - SHEET 2
M303	MECHANICAL SCHEDULES - SHEET 3
PLUMBING	
P001	PLUMBING SCHEDULES, DETAILS, NOTES, AND ABBREVIATIONS
P002	PLUMBING DETAILS
P100	SERVICE LEVEL - PLUMBING PLAN - UNDERGROUND PIPING OVERALL
P100B	SERVICE LEVEL AREA B - PLUMBING PLAN - UNDERGROUND PIPING
P100C	SERVICE LEVEL AREA C - PLUMBING PLAN - UNDERGROUND PIPING
P100D	SERVICE LEVEL AREA D - PLUMBING PLAN - UNDERGROUND PIPING
P100E	SERVICE LEVEL AREA E - PLUMBING PLAN - UNDERGROUND PIPING
P100F	SERVICE LEVEL AREA F - PLUMBING PLAN - UNDERGROUND PIPING
P100G	SERVICE LEVEL AREA G - PLUMBING PLAN - UNDERGROUND PIPING
P100H	SERVICE LEVEL AREA H - PLUMBING PLAN - UNDERGROUND PIPING
P100I	SERVICE LEVEL AREA I - PLUMBING PLAN - UNDERGROUND PIPING
P100J	SERVICE LEVEL AREA J - PLUMBING PLAN - UNDERGROUND PIPING
P100K	SERVICE LEVEL AREA K - PLUMBING PLAN - UNDERGROUND PIPING
P100L	SERVICE LEVEL AREA L - PLUMBING PLAN - UNDERGROUND PIPING
P100M	SERVICE LEVEL AREA M - PLUMBING PLAN - UNDERGROUND PIPING
P100N	SERVICE LEVEL AREA N - PLUMBING PLAN - UNDERGROUND PIPING
P100O	SERVICE LEVEL AREA O - PLUMBING PLAN - UNDERGROUND PIPING
P100P	SERVICE LEVEL AREA P - PLUMBING PLAN - UNDERGROUND PIPING
P100Q	SERVICE LEVEL AREA Q - PLUMBING PLAN - UNDERGROUND PIPING
P100R	SERVICE LEVEL AREA R - PLUMBING PLAN - UNDERGROUND PIPING
P100S	SERVICE LEVEL AREA S - PLUMBING PLAN - UNDERGROUND PIPING
P100T	SERVICE LEVEL AREA T - PLUMBING PLAN - UNDERGROUND PIPING
P100U	SERVICE LEVEL AREA U - PLUMBING PLAN - UNDERGROUND PIPING
P100V	SERVICE LEVEL AREA V - PLUMBING PLAN - UNDERGROUND PIPING
P100W	SERVICE LEVEL AREA W - PLUMBING PLAN - UNDERGROUND PIPING
P100X	SERVICE LEVEL AREA X - PLUMBING PLAN - UNDERGROUND PIPING
P100Y	SERVICE LEVEL AREA Y - PLUMBING PLAN - UNDERGROUND PIPING
P100Z	SERVICE LEVEL AREA Z - PLUMBING PLAN - UNDERGROUND PIPING
P100AA	SERVICE LEVEL AREA AA - PLUMBING PLAN - UNDERGROUND PIPING
P100AB	SERVICE LEVEL AREA AB - PLUMBING PLAN - UNDERGROUND PIPING
P100AC	SERVICE LEVEL AREA AC - PLUMBING PLAN - UNDERGROUND PIPING
P100AD	SERVICE LEVEL AREA AD - PLUMBING PLAN - UNDERGROUND PIPING
P100AE	SERVICE LEVEL AREA AE - PLUMBING PLAN - UNDERGROUND PIPING
P100AF	SERVICE LEVEL AREA AF - PLUMBING PLAN - UNDERGROUND PIPING
P100AG	SERVICE LEVEL AREA AG - PLUMBING PLAN - UNDERGROUND PIPING
P100AH	SERVICE LEVEL AREA AH - PLUMBING PLAN - UNDERGROUND PIPING
P100AI	SERVICE LEVEL AREA AI - PLUMBING PLAN - UNDERGROUND PIPING
P100AJ	SERVICE LEVEL AREA AJ - PLUMBING PLAN - UNDERGROUND PIPING
P100AK	SERVICE LEVEL AREA AK - PLUMBING PLAN - UNDERGROUND PIPING
P100AL	SERVICE LEVEL AREA AL - PLUMBING PLAN - UNDERGROUND PIPING
P100AM	SERVICE LEVEL AREA AM - PLUMBING PLAN - UNDERGROUND PIPING
P100AN	SERVICE LEVEL AREA AN - PLUMBING PLAN - UNDERGROUND PIPING
P100AO	SERVICE LEVEL AREA AO - PLUMBING PLAN - UNDERGROUND PIPING
P100AP	SERVICE LEVEL AREA AP - PLUMBING PLAN - UNDERGROUND PIPING
P100AQ	SERVICE LEVEL AREA AQ

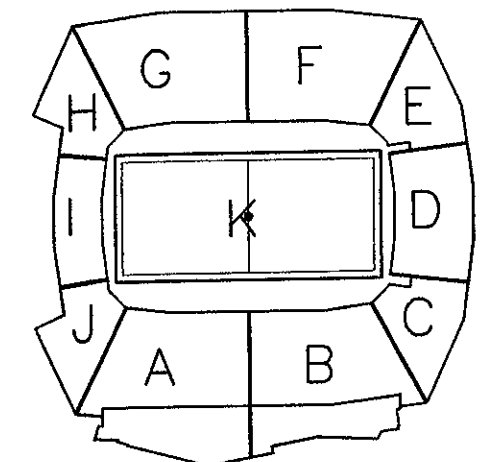


1 SITE PLAN - OVERALL
AE001 SCALE: 1"=100'

THE STADIUM AT RENTSCHLER FIELD

- Owner
State of Connecticut
- Architect
Ellerbe Becket, Inc.
605 West 47th Street, Suite 200
Kansas City, MO 64112-1905
Telephone: 816.561.4443
Facsimile: 816.561.2860
- Structural Engineer
BVH Integrated Services
50 Griffin Road South
Bloomfield, CT 06002
Telephone: 860.292.9171
Facsimile: 860.342.0226
- Mechanical/Electrical Engineering
DTC
916 Washington Ave
North Haven, CT 06473
Telephone: 203.239.4000
Facsimile: 203.234.3776
- Civil Engineering/Traffic
Fuss & O'Neill
146 Hartford Road
Middletown, CT 06457-2021
Telephone: 860.642.2400
Facsimile: 860.642.8313
- Code Analyst
F P & C Consultants, Inc.
633 West Parkway, Suite 225
Kansas City, MO 64114
Telephone: 816.523.3377
Facsimile: 816.523.8256
- Audio/Visual
Pelton Marsh Kinsella
1420 W. Mockingbird Lane, Suite 400
Dallas, TX 75247-4951
Telephone: 214.693.7444
Facsimile: 214.591.7408
- Landscape Design
CRS
371 Hopewell Street
Shelbury, CT 06070
Telephone: 860.639.1988
Facsimile: 860.639.1217
- Pool Service
The Bigelow Companies
1575 Industrial Avenue, Suite 150
Kansas City, MO 64120
Telephone: 816.483.2222
Facsimile: 816.483.2210
- Geotechnical
GZA GeoEnvironmental
27 Hill Road
Vernon, CT 06066
Telephone: 860.875.3155
Facsimile: 860.872.2416
- Security
Safesecure Network
17 E Back Rock Road
Hartford, CT 06176
Telephone: 860.354.7020
Facsimile: 860.354.7020
- Vertical Climbing
Syska & Hennessy
One Broadway, 9th Floor
Cambridge, MA 02142
Telephone: 617.577.9900
Facsimile: 617.577.9191
- Sports Turf
MST
1893 W. 64th Avenue
Urbana, CO 81302-6402
Telephone: 303.739.1440
Facsimile: 303.739.2827

THESE RECORD DOCUMENTS HAVE BEEN PREPARED BASED ON INFORMATION SUPPLIED TO THE ARCHITECT/ENGINEER BY OTHERS. THE ARCHITECT/ENGINEER HAS NOT INDEPENDENTLY VERIFIED THE INFORMATION AND DISCLAIMS RESPONSIBILITY FOR THE ACCURACY AND COMPLETENESS THEREOF. THESE DRAWINGS ARE FOR REFERENCE ONLY AND ARE NOT TO BE USED FOR CONSTRUCTION WITHOUT DRAWINGS AND CALCULATIONS SPECIFICALLY PREPARED FOR ANY INTENDED ADDITIONAL WORK.



ELLERBE BECKET



4600 Madison Avenue
Suite 1000
Kansas City, MO 64112
816.561.4443

Ellerbe Becket, Inc.

© 2003 Ellerbe Becket

AUDIO/VISUAL ELECTRICAL SITE PLAN - OVERALL

Scale 1" = 100'

Date 08.30.03 Comm. No. 1013.0002.00
In Charge GW RECORD DOCUMENTS
Drawn By BL
Checked By DS

AE001

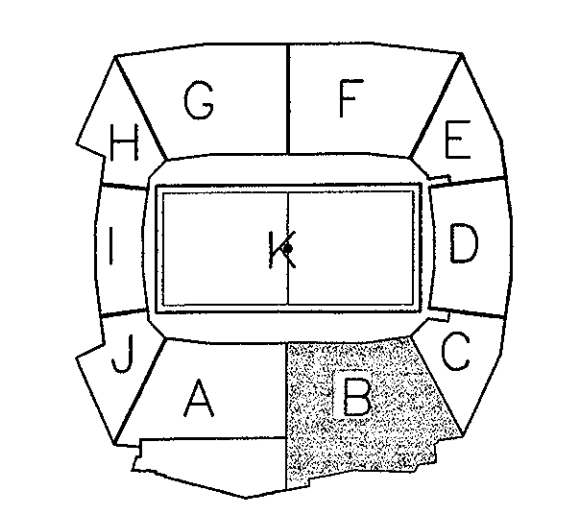


1 FLOOR PLAN - SERVICE LEVEL, SECTOR B
 AE1.01B 1/8"=1'-0"

**THE STADIUM AT
 RENTSCHLER FIELD**

- Owner**
 State of Connecticut
- Architecture**
Ellerbe Becket, Inc.
 605 West 47th Street, Suite 200
 Kansas City, MO 64112-1905
 Telephone: 816.561.4443
 Facsimile: 816.561.2863
- Structural Engineering**
BVH Integrated Services
 50 Collins Street
 Bloomfield, CT 06002
 Telephone: 860.286.9171
 Facsimile: 860.242.0256
- Mechanical/Electrical Engineering**
DTC
 355 Washington Ave
 North Haven, CT 06457
 Telephone: 203.239.4200
 Facsimile: 203.234.7376
- Old Engineering/Facility**
Fuss & O'Neill
 146 Hartford Road
 Manchester, CT 06040-3921
 Telephone: 860.546.2469
 Facsimile: 860.543.6513
- Code Analysis**
F P & C Consultants, Inc.
 3833 West Parkway, Suite 225
 Kansas City, MO 64114
 Telephone: 816.523.3377
 Facsimile: 816.523.8256
- Audio/Visual**
Pelton Marsh Kinsella
 1420 W. McDougall Lane, Suite 403
 Dallas, TX 75247-4851
 Telephone: 214.682.7441
 Facsimile: 214.651.2468
- Landscaping Design**
CR3
 571 Wagonwheel Road
 Simsbury, CT 06069
 Telephone: 860.684.1988
 Facsimile: 860.684.1217
- Food Service**
The Bigelow Companies
 1575 University Avenue, Suite 156
 Kansas City, MO 64128
 Telephone: 816.480.2559
 Facsimile: 816.480.5519
- Geotechnical**
GZA GeoEnvironmental
 27 Nash Road
 Norwich, CT 06050
 Telephone: 860.875.7655
 Facsimile: 860.872.2416
- Security**
Safesecure Network
 17 E. Rock Road
 New Milford, CT 06776
 Telephone: 860.354.7020
 Facsimile: 860.354.7020
- Vertical Circulation**
Syska & Hennessy
 One Broadway, 9th Floor
 Cambridge, MA 02142
 Telephone: 617.577.9900
 Facsimile: 617.577.9191
- Specialty**
MST
 1810 W. 84th Avenue
 Littleton, CO 80120-4422
 Telephone: 303.738.1448
 Facsimile: 303.738.2327

THESE RECORD DOCUMENTS HAVE BEEN PREPARED BASED ON INFORMATION SUPPLIED TO THE ARCHITECT/ENGINEER BY OTHERS. THE ARCHITECT/ENGINEER HAS NOT INDEPENDENTLY VERIFIED THE INFORMATION AND DISCLAIMS RESPONSIBILITY FOR THE ACCURACY AND COMPLETENESS THEREOF. THESE DRAWINGS ARE FOR REFERENCE ONLY AND ARE NOT TO BE USED FOR CONSTRUCTION WITHOUT DRAWINGS AND CALCULATIONS SPECIFICALLY PREPARED FOR ANY INTENDED ADDITIONAL WORK.



ELLERBE BECKET



4600 Madison Avenue
 Suite 1000
 Kansas City, MO 64112
 816 561 4443

© 2003 Ellerbe Becket

**AUDIO/VISUAL ELECTRICAL
 SERVICE LEVEL FLOOR
 PLAN - SECTOR B**
 Scale AS NOTED

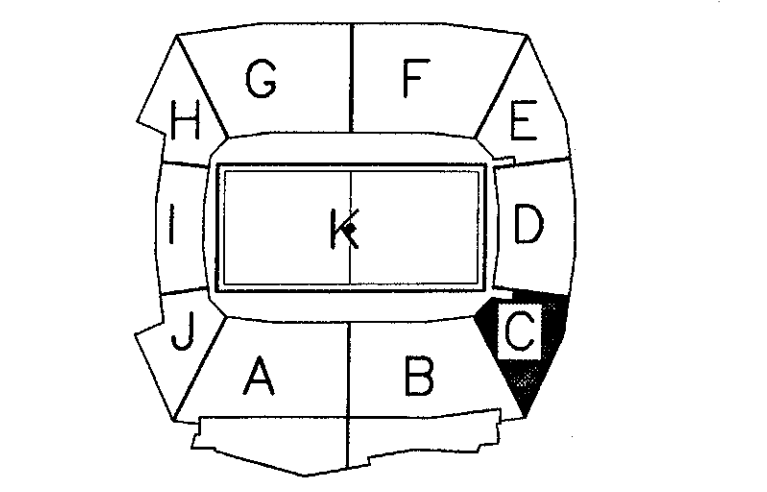
Date	08.30.03	Comm. No.	1013.0002.00
In Charge	GM	RECORD DOCUMENTS	
Drawn By	PMK		
Checked By	TL		AE101B

Revision	Date	No.
CONFORMANCE ISSUE	11-01-01	1
CCD #184	09-27-02	2

**THE STADIUM AT
RENTSCHLER FIELD**

- Owner**
State of Connecticut
- Architecture**
Ellerbe Becket, Inc.
605 West 47th Street, Suite 208
Kansas City, MO 64112-1995
Telephone: 816.551.4443
Facsimile: 816.551.2803
- Landscaping Design**
CR3
571 Heywood Street
Stamford, CT 06907
Telephone: 860.683.1988
Facsimile: 860.683.1217
- Structural Engineering**
BVH Integrated Services
51 Griffin Road South
Hempfield, CT 06002
Telephone: 860.296.9171
Facsimile: 860.42.0236
- Food Service**
The Bigelow Companies
13751 Central Avenue, Suite 104
Kansas City, MO 64120
Telephone: 816.483.5553
Facsimile: 816.483.5510
- Mechanical/Electrical Engineering**
DTC
558 Washington Ave
North Haven, CT 06457
Telephone: 203.238.4200
Facsimile: 203.234.7376
- Geotechnical**
GZA GeoEnvironmental
27 Hook Road
Vernon, CT 06066
Telephone: 860.875.7655
Facsimile: 860.872.2418
- Oil Engineering/Traffic**
Fuss & O'Neill
140 Hartford Road
Meriden, CT 06040-5221
Telephone: 860.646.2489
Facsimile: 860.643.0113
- Security**
Safesecure Network
17 Elm Street
New Britain, CT 06276
Telephone: 860.354.7020
Facsimile: 860.354.7020
- Code Analysis**
F P & C Consultants, Inc.
5233 West Parkway, Suite 225
Kansas City, MO 64114
Telephone: 816.523.3377
Facsimile: 816.523.8256
- Vertical Circulation**
Syska & Hennessy
One Broadway, 9th Floor
Cambridge, MA 02142
Telephone: 617.577.9900
Facsimile: 617.577.9191
- Audio/Visual**
Patton Marsh Kinsella
1401 W. Montpelier Lane, Suite 400
Dallas, TX 75247-4851
Telephone: 214.688.7444
Facsimile: 214.591.7408
- Specialist**
MST
1801 W. 84th Avenue
Lubbock, TX 79424-4602
Telephone: 806.793.1440
Facsimile: 806.793.2827

THESE RECORD DOCUMENTS HAVE BEEN PREPARED BASED ON INFORMATION SUPPLIED TO THE ARCHITECT/ENGINEER BY OTHERS. THE ARCHITECT/ENGINEER HAS NOT INDEPENDENTLY VERIFIED THE INFORMATION AND DISCLAIMS RESPONSIBILITY FOR THE ACCURACY AND COMPLETENESS THEREOF. THESE DRAWINGS ARE FOR REFERENCE ONLY AND ARE NOT TO BE USED FOR CONSTRUCTION WITHOUT DRAWINGS AND CALCULATIONS SPECIFICALLY PREPARED FOR ANY INTENDED ADDITIONAL WORK.



ELLERBE BECKET



4600 Madison Avenue
Suite 1000
Kansas City, MO 64112
816 561 4443

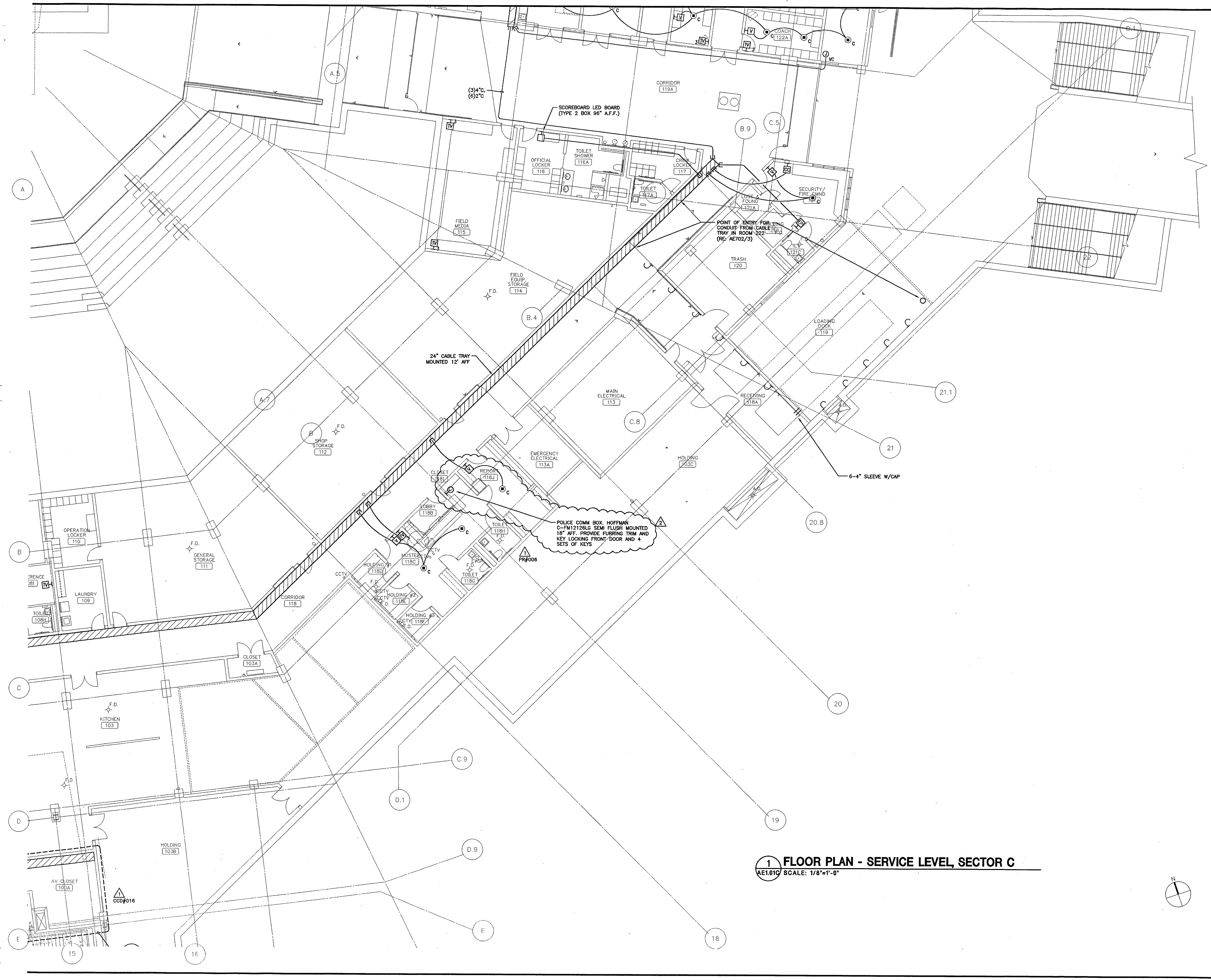
© 2003 Ellerbe Becket

**AUDIO/VISUAL ELECTRICAL
SERVICE LEVEL FLOOR
PLAN - SECTOR C**

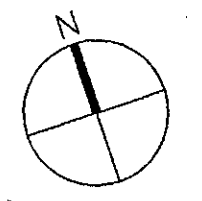
Scale AS NOTED

Date	08.30.03	Comm. No.	1013.0002.00
In Charge	GM	RECORD DOCUMENTS	
Drawn By	PMK		
Checked By	TL		

AE101C



1 FLOOR PLAN - SERVICE LEVEL, SECTOR C
AE101C SCALE: 1/8"=1'-0"

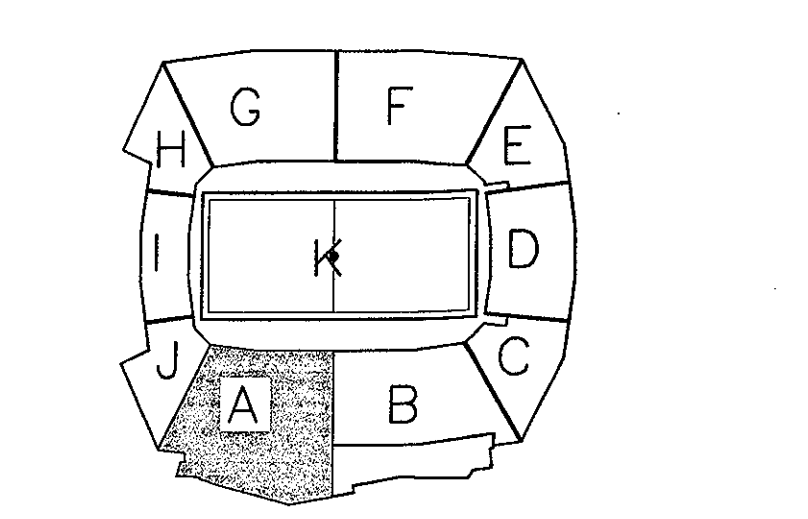


Revision	Date	No.
CCD #184	09-27-02	1

**THE STADIUM AT
RENTSCHLER FIELD**

- Owner**
State of Connecticut
- Architect**
Ellerbe Becket, Inc.
695 West 47th Street, Suite 200
Kansas City, MO 64112-1995
Telephone: 816.581.4463
Facsimile: 816.581.2863
- Landscaping Design**
CR3
571 Independence Street
Stamford, CT 06905-1988
Telephone: 860.658.1988
Facsimile: 860.658.1317
- Structural Engineering**
BVH Integrated Services
55 Griffin Road South
Bloomfield, CT 06002
Telephone: 860.284.9171
Facsimile: 860.242.8256
- Mechanical/Electrical Engineering**
DTC
555 Washington Ave
North Haven, CT 06460
Telephone: 203.234.4200
Facsimile: 203.234.7376
- Oil Engineering/Trac**
Fuss & O'Neill
140 Hartford Road
Manchester, CT 06040-9821
Telephone: 860.646.2469
Facsimile: 860.640.8719
- Code Analysis**
F.P. & C Consultants, Inc.
9233 Wood Parkway, Suite 225
Kansas City, MO 64114
Telephone: 816.532.1977
Facsimile: 816.532.8256
- Audiovisual**
Pelton Marsh Kinsella
1401 W. Woodland Lane, Suite 400
Dallas, TX 75247-4951
Telephone: 214.688.7444
Facsimile: 214.691.7468
- Food Service**
The Bigelow Companies
1275 Memorial Avenue, Suite 118
Kansas City, MO 64120
Telephone: 816.483.5933
Facsimile: 816.483.5516
- Geotechnical**
GZA GeoEnvironmental
27 Bank Road
Vernon, CT 06066
Telephone: 860.875.7665
Facsimile: 860.872.2416
- Security**
Safesecure Network
171 Bank Road East
New Milford, CT 06776
Telephone: 860.354.7020
Facsimile: 860.354.7020
- Vertical Circulation**
Syska & Hennessy
One Broadway, 9th Floor
Cambridge, MA 02142
Telephone: 617.577.8900
Facsimile: 617.577.9191
- Sports Turf**
MST
1802 W. South Avenue
Urbana, CO 80120-4402
Telephone: 303.726.1440
Facsimile: 303.726.2427

THESE RECORD DOCUMENTS HAVE BEEN PREPARED BASED ON INFORMATION SUPPLIED TO THE ARCHITECT/ENGINEER BY OTHERS. THE ARCHITECT/ENGINEER HAS NOT INDEPENDENTLY VERIFIED THE INFORMATION AND DISCLAIMS RESPONSIBILITY FOR THE ACCURACY AND COMPLETENESS THEREOF. THESE DRAWINGS ARE FOR REFERENCE ONLY AND ARE NOT TO BE USED FOR CONSTRUCTION WITHOUT DRAWINGS AND CALCULATIONS SPECIFICALLY PREPARED FOR ANY INTENDED ADDITIONAL WORK.



ELLERBE BECKET

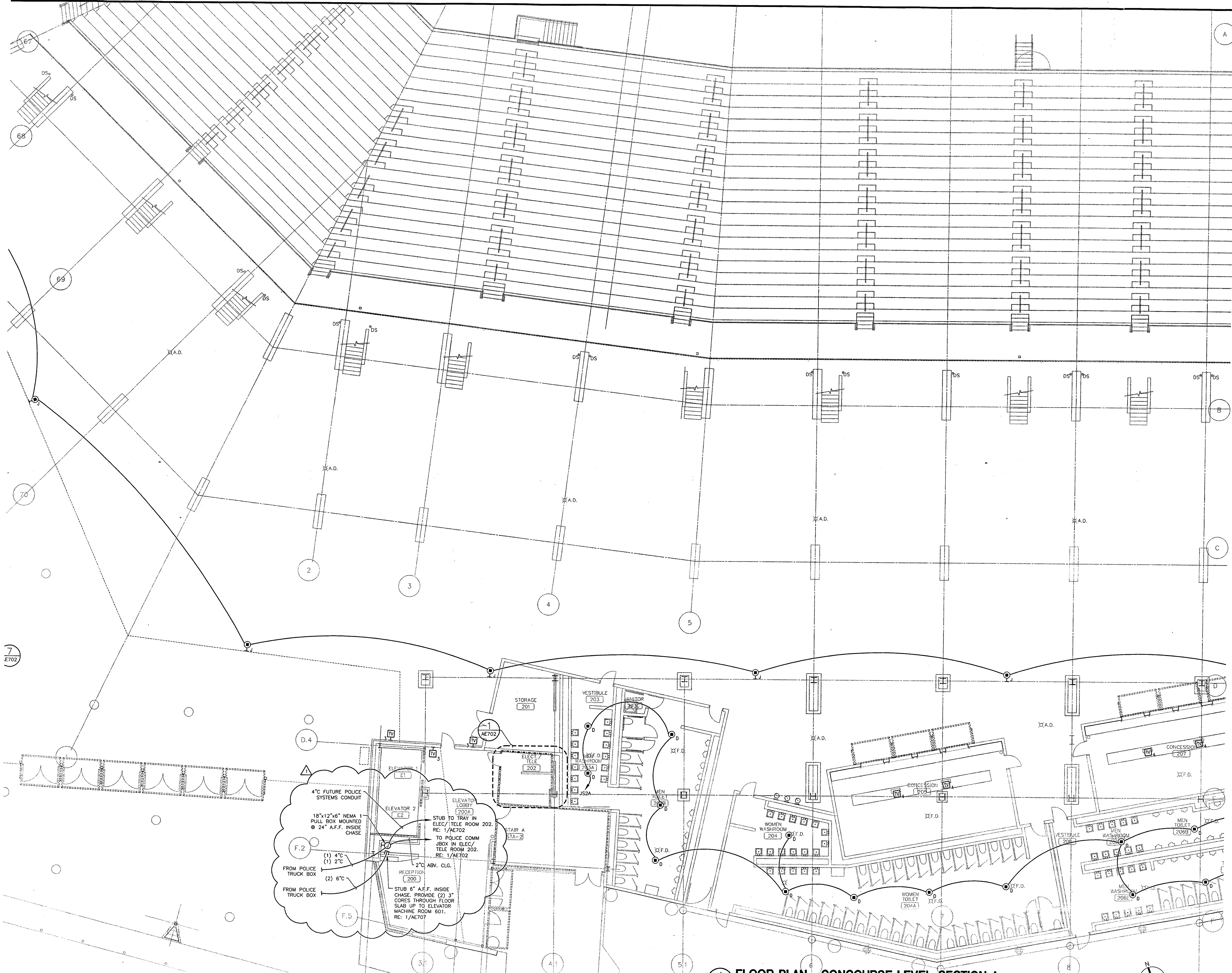


4600 Madison Avenue
Suite 1000
Kansas City, MO 64112
816.561.4443

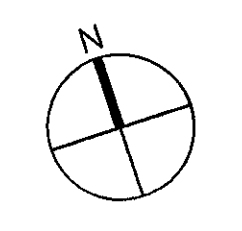
© 2003 Ellerbe Becket

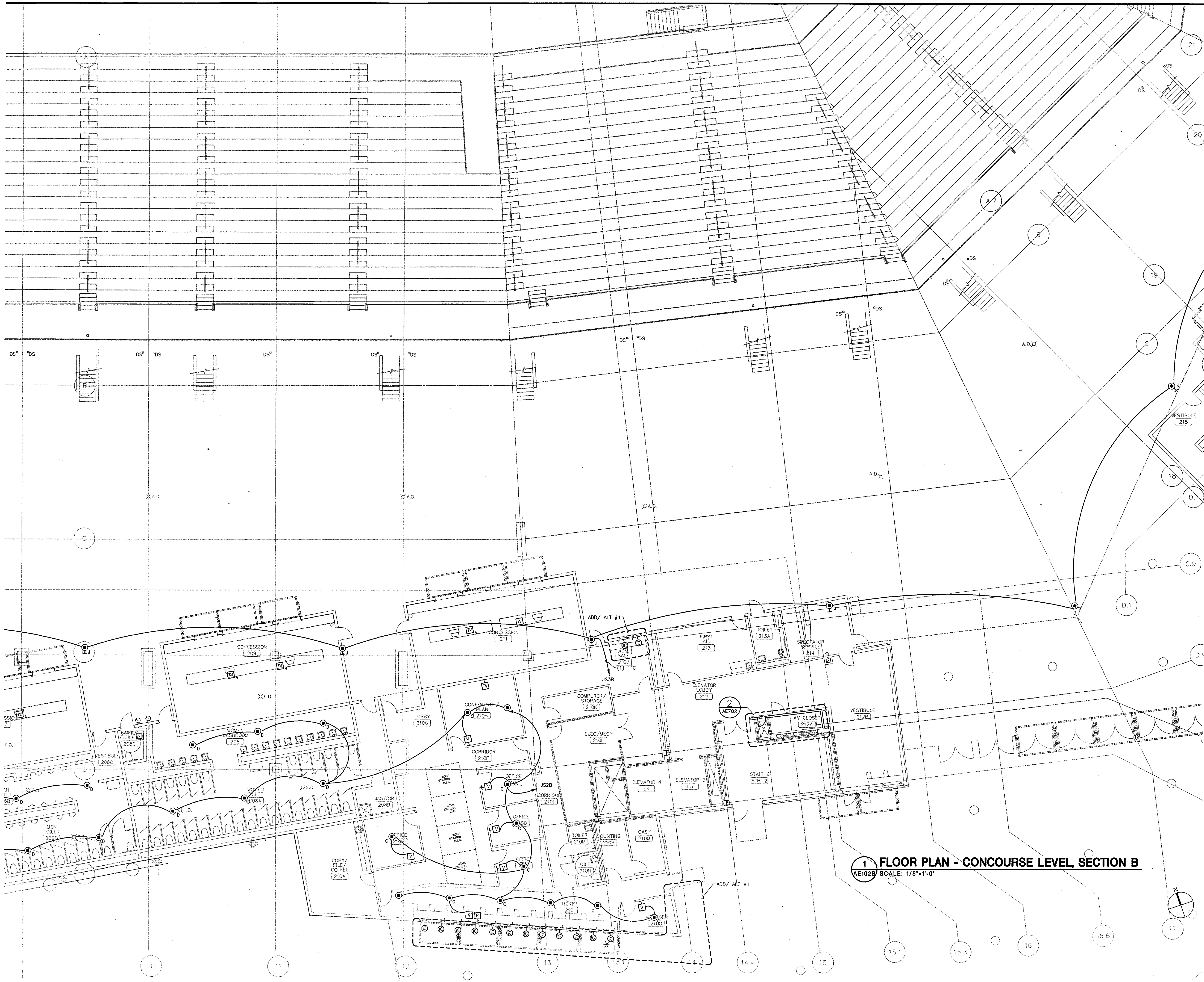
**AUDIOVISUAL ELECTRICAL
CONCOURSE FLOOR PLAN
SECTION A**
Scale AS SHOWN

Date 08.30.03 Comm. No. 1013.0002.00
In Charge GM RECORD DOCUMENTS
Drawn By PMK
Checked By TL **AE102A**



1 FLOOR PLAN - CONCOURSE LEVEL, SECTION A
SCALE: 1/8"=1'-0"



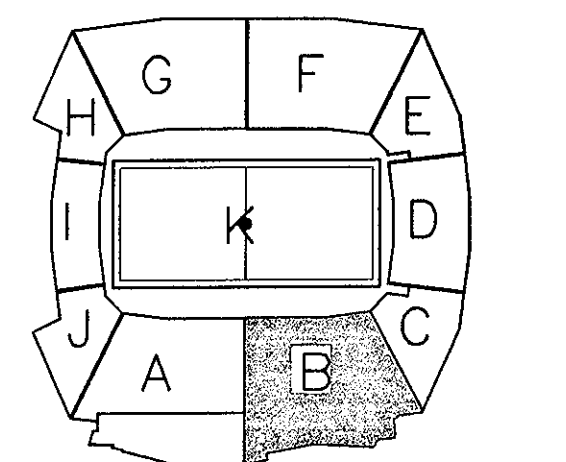


1 FLOOR PLAN - CONCOURSE LEVEL, SECTION B
 AE102B SCALE: 1/8"=1'-0"

THE STADIUM AT RENTSCHLER FIELD

- State of Connecticut**
- Architecture**
Ellerbe Becket, Inc.
 605 West 47th Street, Suite 200
 Kansas City, MO 64112-1905
 Telephone: 816.521.4443
 Facsimile: 816.521.2863
- Landscaping Design**
CR3
 371 Hingham Road
 Shelton, CT 06487
 Telephone: 800.658.1388
 Facsimile: 800.658.1217
- Structural Engineering**
BVH Integrated Services
 50 Collins Street
 Bloomfield, CT 06002
 Telephone: 800.286.9171
 Facsimile: 800.242.8236
- The Bigelow Companies**
 1375 Union Avenue, Suite 105
 Kansas City, MO 64120
 Telephone: 816.463.5553
 Facsimile: 816.463.5510
- Mechanical/Electrical Engineering**
DTC
 555 Washington Ave
 North Haven, CT 06457
 Telephone: 203.239.4200
 Facsimile: 203.234.7376
- Geotechnical**
GZA Geoenvironmental
 27 South Road
 New Britain, CT 06055
 Telephone: 800.875.7625
 Facsimile: 800.872.2416
- Cost Engineering/Staff:**
Fuss & O'Neill
 146 Hartford Road
 Manchester, CT 06040-5921
 Telephone: 800.546.2469
 Facsimile: 861.643.6513
- Security**
Safesecure Network
 171 South Road
 New Milford, CT 06776
 Telephone: 800.254.7020
 Facsimile: 861.354.7029
- Code Analysis**
F.P. & C. Consultants, Inc.
 9233 West Parkway, Suite 225
 Kansas City, MO 64114
 Telephone: 816.523.3377
 Facsimile: 816.523.8236
- Vertical Circulation**
Syska & Hennessy
 One Broadway, 9th Floor
 Cambridge, MA 02142
 Telephone: 617.577.9900
 Facsimile: 617.577.9191
- Audio/Visual**
Pelton Marsh Kinsella
 1420 W. Mockingbird Lane, Suite 403
 Dallas, TX 75247-4851
 Telephone: 214.688.7444
 Facsimile: 214.651.7408
- Space Plan**
MST
 180 W. Sixth Avenue
 Littleton, CO 80120-4402
 Telephone: 303.738.1440
 Facsimile: 303.738.2627

THESE RECORD DOCUMENTS HAVE BEEN PREPARED BASED ON INFORMATION SUPPLIED TO THE ARCHITECT/ENGINEER BY OTHERS. THE ARCHITECT/ENGINEER HAS NOT INDEPENDENTLY VERIFIED THE INFORMATION AND DISCLAIMS RESPONSIBILITY FOR THE ACCURACY AND COMPLETENESS THEREOF. THESE DRAWINGS ARE FOR REFERENCE ONLY AND ARE NOT TO BE USED FOR CONSTRUCTION WITHOUT DRAWINGS AND CALCULATIONS SPECIFICALLY PREPARED FOR ANY INTENDED ADDITIONAL WORK.



ELLERBE BECKET

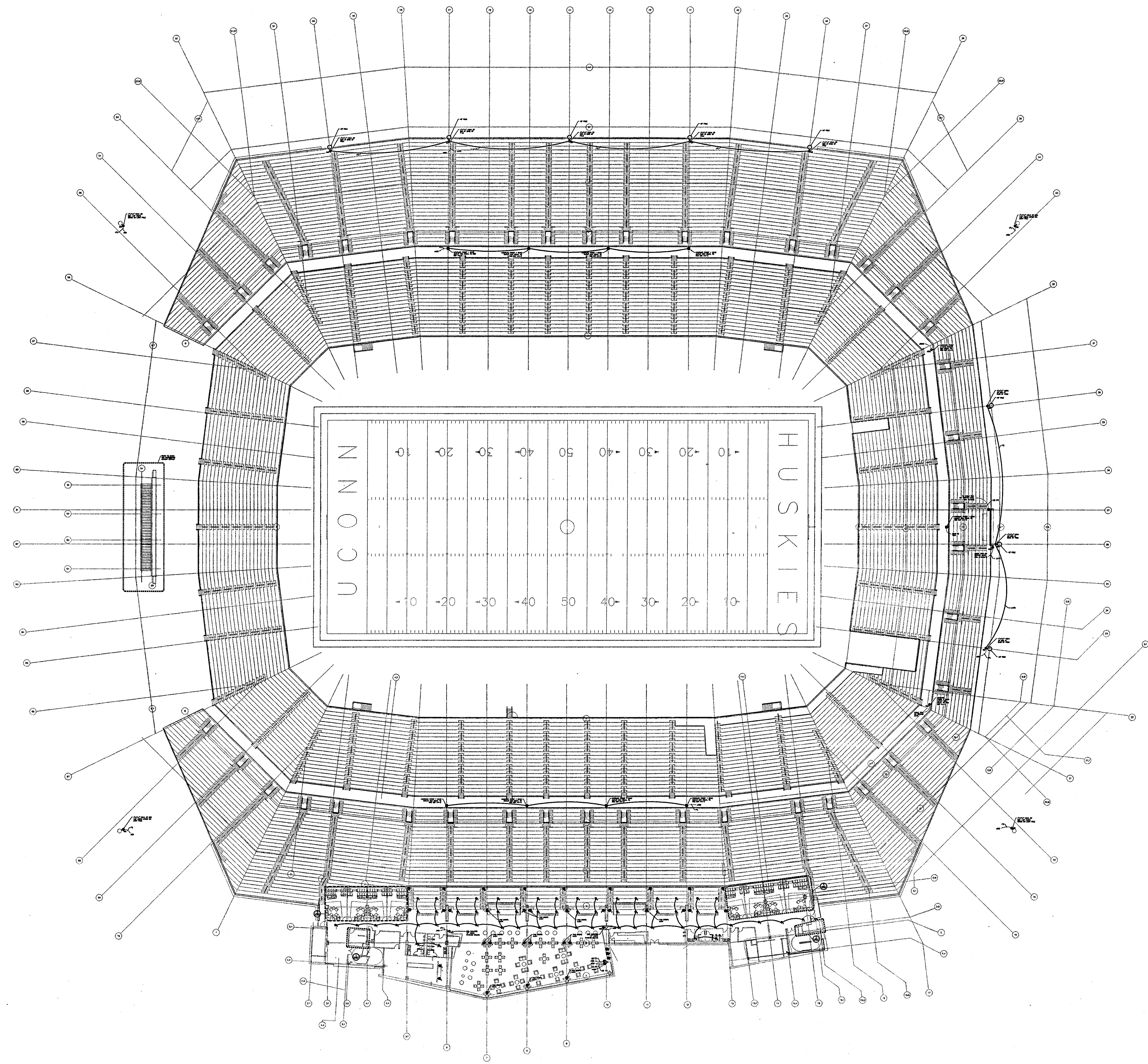


4600 Madison Avenue
 Suite 1000
 Kansas City, MO 64112
 816.561.4443

© 2003 Ellerbe Becket

AUDIO/VISUAL ELECTRICAL CONCOURSE FLOOR PLAN SECTION B
 Scale AS SHOWN

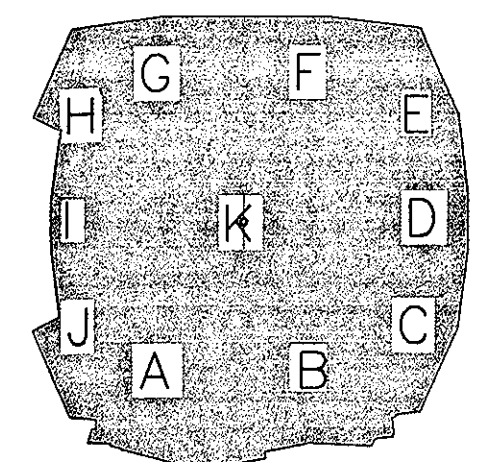
Date 08.30.03 Comm. No. 1013.0002.00
 In Charge GM RECORD DOCUMENTS
 Drawn By PMK
 Checked By TL **AE102B**



THE STADIUM AT
RENTSCHLER FIELD

- Owner
State of Connecticut
- Architecture
Ellerbe Becket, Inc.
605 West 47th Street, Suite 200
Kansas City, MO 64112-1965
Telephone: 816.561.4443
Facsimile: 816.561.2863
- Landscaping Design
CR3
571 Hopwood Street
Stamford, CT 06907
Telephone: 860.688.1988
Facsimile: 860.688.1217
- Structural Engineering
BVH Integrated Services
50 Collins Street South
Bloomfield, CT 06002
Telephone: 860.398.9171
Facsimile: 860.342.8256
- The Bigelow Companies
Food Service
1575 Universal Avenue, Suite 156
Kansas City, MO 64120
Telephone: 816.463.3533
Facsimile: 816.463.3510
- Mechanical/Electrical Engineering
DTC
355 Washington Ave
North Haven, CT 06457
Telephone: 203.239.4210
Facsimile: 203.234.7176
- Geotechnical
GZA GeoEnvironmental
27 Nash Road
Haven, CT 06036
Telephone: 860.875.7655
Facsimile: 860.872.2416
- Civil Engineering/Traffic
Fuss & O'Neill
146 Hartford Road
Manchester, CT 06040-5921
Telephone: 860.446.2469
Facsimile: 860.443.6513
- Security
Safesecure Network
17 E Rock Road
New Milford, CT 06756
Telephone: 860.354.7100
Facsimile: 860.354.7020
- Code Analysis
F P & C Consultants, Inc.
9233 West Parkway, Suite 225
Kansas City, MO 64114
Telephone: 816.523.3377
Facsimile: 816.523.8256
- Vertical Circulation
Syska & Hennessy
One Broadway, 9th Floor
Cambridge, MA 02142
Telephone: 617.577.9900
Facsimile: 617.577.9191
- Architectural
Pelton Marsh Kinsella
1420 W. McDougall Lane, Suite 400
Dallas, TX 75247-4851
Telephone: 214.682.7441
Facsimile: 214.651.2400
- Specialty
MST
180 W. South Avenue
Urbana, IL 61802-4402
Telephone: 309.738.1440
Facsimile: 309.738.3527

THESE RECORD DOCUMENTS HAVE BEEN PREPARED BASED ON INFORMATION SUPPLIED TO THE ARCHITECT/ENGINEER BY OTHERS. THE ARCHITECT/ENGINEER HAS NOT INDEPENDENTLY VERIFIED THE INFORMATION AND DISCLAIMS RESPONSIBILITY FOR THE ACCURACY AND COMPLETENESS THEREOF. THESE DRAWINGS ARE FOR REFERENCE ONLY AND ARE NOT TO BE USED FOR CONSTRUCTION WITHOUT DRAWINGS AND CALCULATIONS SPECIFICALLY PREPARED FOR ANY INTENDED ADDITIONAL WORK.



ELLERBE BECKET



4600 Madison Avenue
Suite 1000
Kansas City, MO 64112
816.561.4443

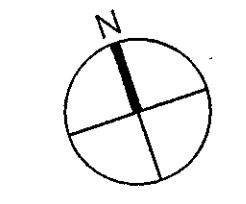
Ellerbe Becket, Inc.

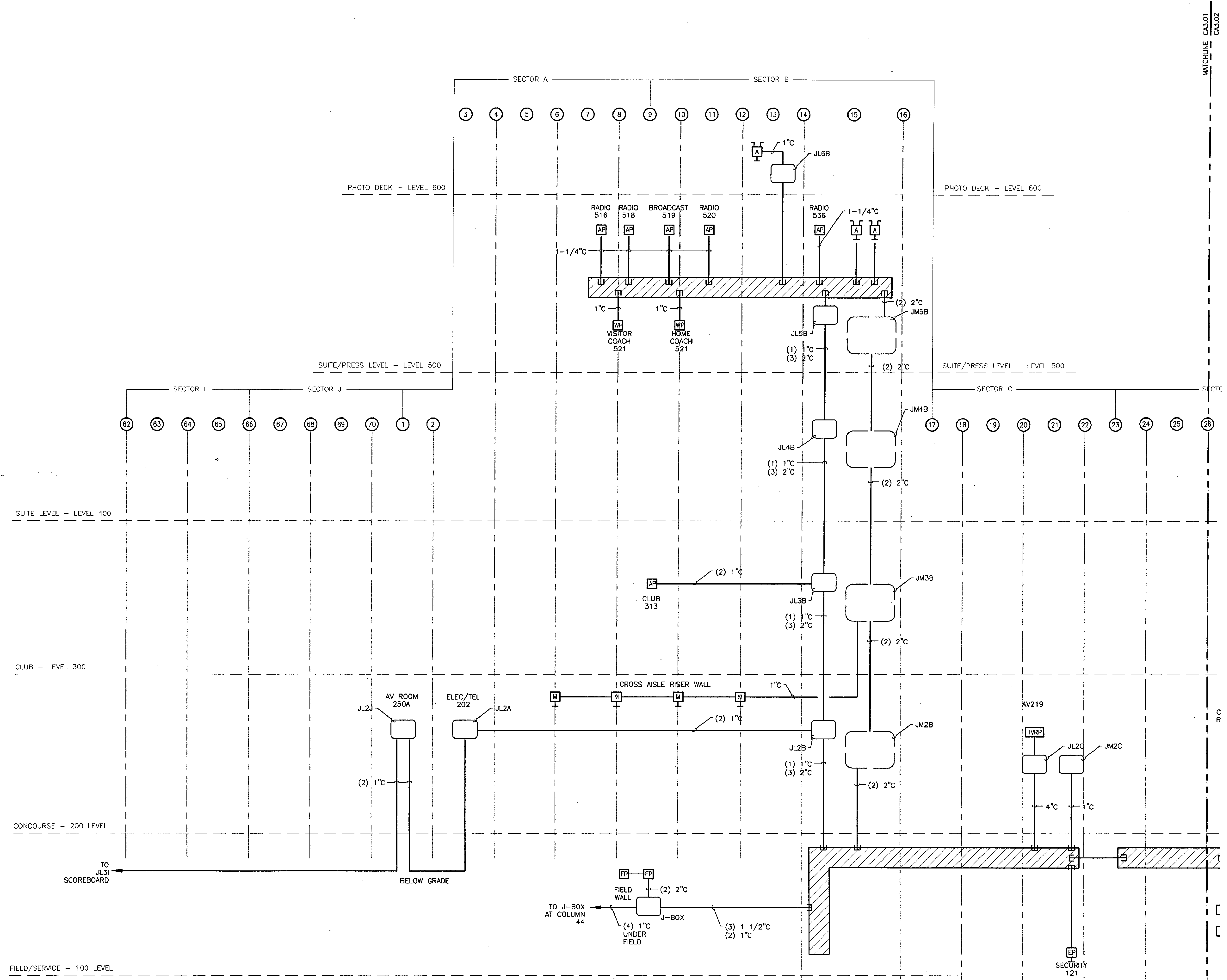
© 2003 Ellerbe Becket

**AUDIO/VISUAL ELECTRICAL
CLUB FLOOR PLAN
OVERALL**
Scale AS SHOWN

Date 08.30.03 Comm. No. 1013.0002.00
In Charge GM RECORD DOCUMENTS
Drawn By PMK
Checked By TL **AE103**

1 FLOOR PLAN - CLUB LEVEL, OVERALL
AE103 SCALE: 1/32"=1'-0"





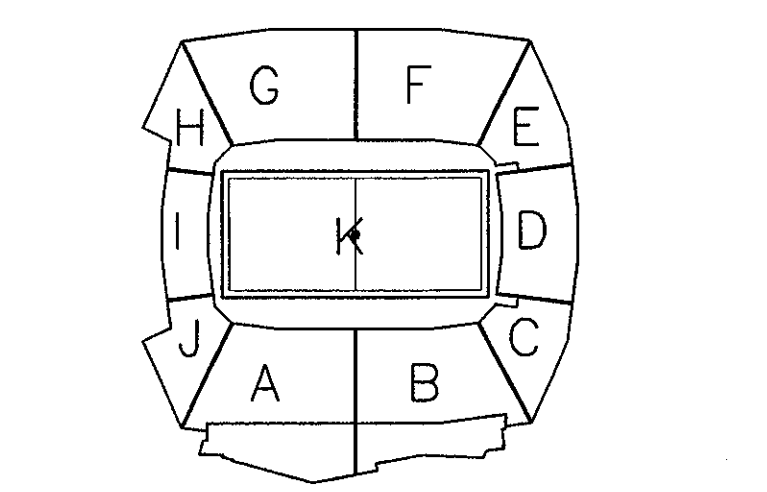
1 RISER - MICROPHONE/LINE LEVEL CONDUIT
 AE501 NO SCALE

NOTE: CONDUIT SHALL BE BUILT FROM INDIVIDUAL PLAN SHEETS AND NOT RISERS.

THE STADIUM AT RENTSCHLER FIELD

- Owner: State of Connecticut
- Architect: **Ellerbe Becket, Inc.**
 402 West 47th Street, Suite 200
 Kansas City, MO 64112-1905
 Telephone: 816.561.4440
 Facsimile: 816.561.2800
- Landscaper Design: **CR3**
 571 Independence Street
 Simsbury, CT 06070
 Telephone: 860.628.1980
 Facsimile: 860.628.1277
- Structural Engineering: **BVH Integrated Services**
 50 Griffin Road South
 Bloomfield, CT 06002
 Telephone: 860.298.9171
 Facsimile: 860.242.0226
- Food Service: **The Bigelow Companies**
 1575 Universal Avenue, Suite 150
 Kansas City, MO 64119
 Telephone: 816.483.5533
 Facsimile: 816.483.5510
- Mechanical/Electrical Engineering: **DTC**
 556 Washington Ave
 North Haven, CT 06457
 Telephone: 203.238.4200
 Facsimile: 203.234.7376
- Geotechnical: **GZA GeoEnvironmental**
 27 Nash Road
 Vernon, CT 06066
 Telephone: 860.875.7805
 Facsimile: 860.872.2416
- Civil Engineering/Traffic: **Fuss & O'Neill**
 140 Hartford Road
 Manchester, CT 06040-9281
 Telephone: 860.648.3489
 Facsimile: 860.648.5919
- Security: **Safesecure Network**
 171 East Rock Road
 New Britain, CT 06106
 Telephone: 860.254.7020
 Facsimile: 860.254.7020
- Code Analysis: **F P & C Consultants, Inc.**
 9233 Wood Pathway, Suite 225
 Kansas City, MO 64114
 Telephone: 816.523.3377
 Facsimile: 816.523.8256
- Vertical Circulation: **Syska & Hennessy**
 One Woodbury, 9th Floor
 Cambridge, MA 02142
 Telephone: 617.577.8000
 Facsimile: 617.577.9191
- Acoustic/Visual: **Pelton Marsh Kinsella**
 1407 W. Monticello Lane, Suite 400
 Dallas, TX 75247-4951
 Telephone: 214.688.7444
 Facsimile: 214.591.7408
- Sports Turf: **MST**
 1880 W. South Avenue
 Urbana, IL 62520-4402
 Telephone: 308.798.1448
 Facsimile: 308.798.2527

THESE RECORD DOCUMENTS HAVE BEEN PREPARED BASED ON INFORMATION SUPPLIED TO THE ARCHITECT/ENGINEER BY OTHERS. THE ARCHITECT/ENGINEER HAS NOT INDEPENDENTLY VERIFIED THE INFORMATION AND DISCLAIMS RESPONSIBILITY FOR THE ACCURACY AND COMPLETENESS THEREOF. THESE DRAWINGS ARE FOR REFERENCE ONLY AND ARE NOT TO BE USED FOR CONSTRUCTION WITHOUT DRAWINGS AND CALCULATIONS SPECIFICALLY PREPARED FOR ANY INTENDED ADDITIONAL WORK.



ELLERBE BECKET

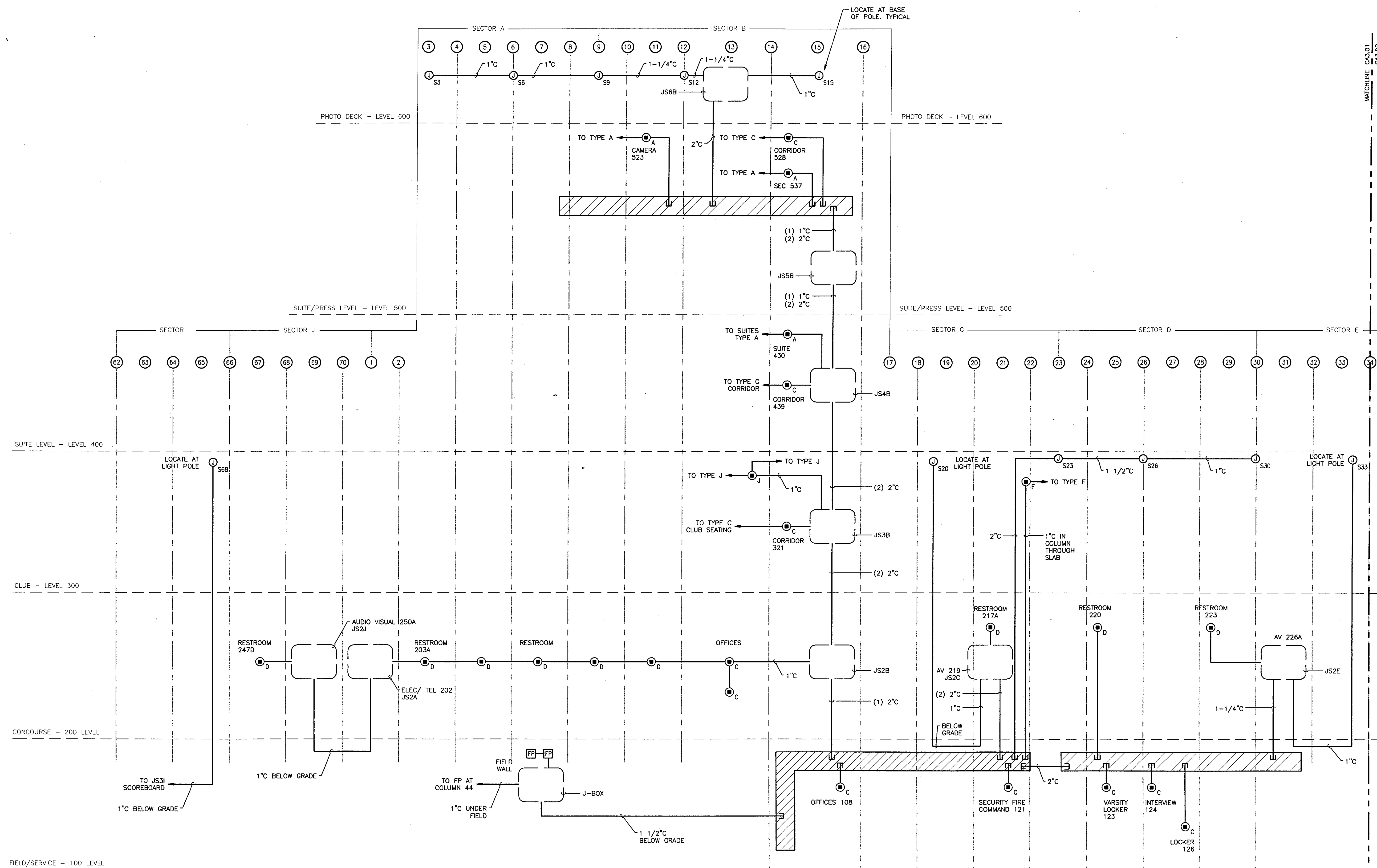


4600 Madison Avenue
 Suite 1000
 Kansas City, MO 64112
 816 561 4443

© 2003 Ellerbe Becket

AUDIO/VISUAL ELECTRICAL CONDUIT RISER DIAGRAM MICROPHONE/LINE LEVEL
 Scale AS SHOWN

Date 08.30.03 Comm. No. 1013.0002.00
 In Charge GLM RECORD DOCUMENTS
 Drawn By PMK
 Checked By TDL **AE501**



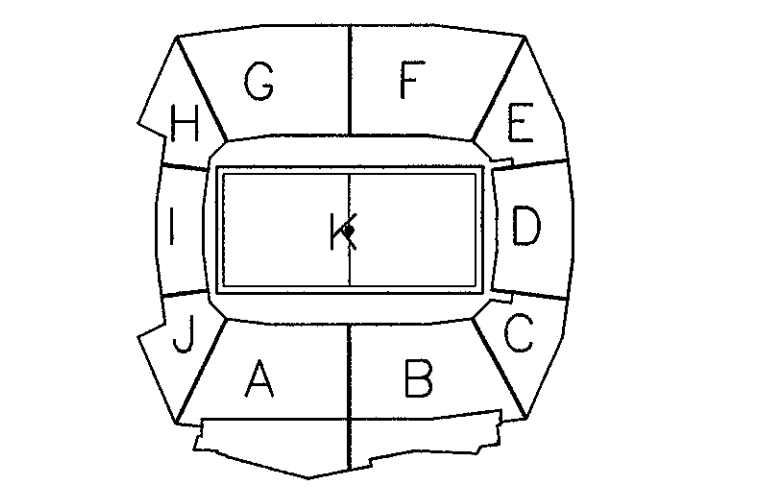
1 RISER - SPEAKER LEVEL CONDUIT
 AE503 NO SCALE

NOTE: CONDUIT SHALL BE BUILT FROM INDIVIDUAL PLAN SHEETS AND NOT RISERS.

THE STADIUM AT RENTSCHLER FIELD

- Owner
State of Connecticut
- Architect
Ellerbe Becket, Inc.
 602 West 47th Street, Suite 200
 Kansas City, MO 64112-1905
 Telephone: 816.581.6400
 Facsimile: 816.561.2863
- Landscaping Design
CR3
 571 Hopewell Street
 Shelton, CT 06487
 Telephone: 860.628.1900
 Facsimile: 860.628.1217
- Structural Engineering
BVH Integrated Services
 30 Griffin Road South
 Norwalk, CT 06852
 Telephone: 860.298.9171
 Facsimile: 860.242.0226
- Pool Service
The Bigelow Companies
 1375 General Avenue, Suite 150
 Kansas City, MO 64130
 Telephone: 816.483.2000
 Facsimile: 816.483.3510
- Mechanical/Electrical Engineering
DTC
 556 Washington Ave
 North Haven, CT 06460
 Telephone: 203.229.4200
 Facsimile: 203.224.7375
- Geotechnical
GZA GeoEnvironmental
 27 Hook Road
 Vernon, CT 06065
 Telephone: 860.875.7055
 Facsimile: 860.872.2416
- Oil Engineering/Traffic
Fuss & O'Neill
 141 Woodland Road
 Meriden, CT 06040-9521
 Telephone: 860.646.2469
 Facsimile: 860.640.6113
- Security
Safesecure Network
 171 Rock Road
 New Milford, CT 06776
 Telephone: 860.354.7020
 Facsimile: 860.354.7020
- Code Analysis
F P & C Consultants, Inc.
 5233 Wood Parkway, Suite 225
 Kansas City, MO 64114
 Telephone: 816.523.3377
 Facsimile: 816.523.8256
- Vertical Circulation
Syska & Hennessy
 One Brookline Park
 Cambridge, MA 02142
 Telephone: 617.577.9500
 Facsimile: 617.577.9191
- Audio/Visual
Pelton Marsh Kinsella
 1403 W. McDougall Lane, Suite 400
 Dallas, TX 75247-4851
 Telephone: 214.688.7444
 Facsimile: 214.591.7408
- Sports Turf
MTI
 1825 W. Sixth Avenue
 Littleton, CO 80120-4402
 Telephone: 303.738.1440
 Facsimile: 303.738.2827

THESE RECORD DOCUMENTS HAVE BEEN PREPARED BASED ON INFORMATION SUPPLIED TO THE ARCHITECT/ENGINEER BY OTHERS. THE ARCHITECT/ENGINEER HAS NOT INDEPENDENTLY VERIFIED THE INFORMATION AND DISCLAIMS RESPONSIBILITY FOR THE ACCURACY AND COMPLETENESS THEREOF. THESE DRAWINGS ARE FOR REFERENCE ONLY AND ARE NOT TO BE USED FOR CONSTRUCTION WITHOUT DRAWINGS AND CALCULATIONS SPECIFICALLY PREPARED FOR ANY INTENDED ADDITIONAL WORK.



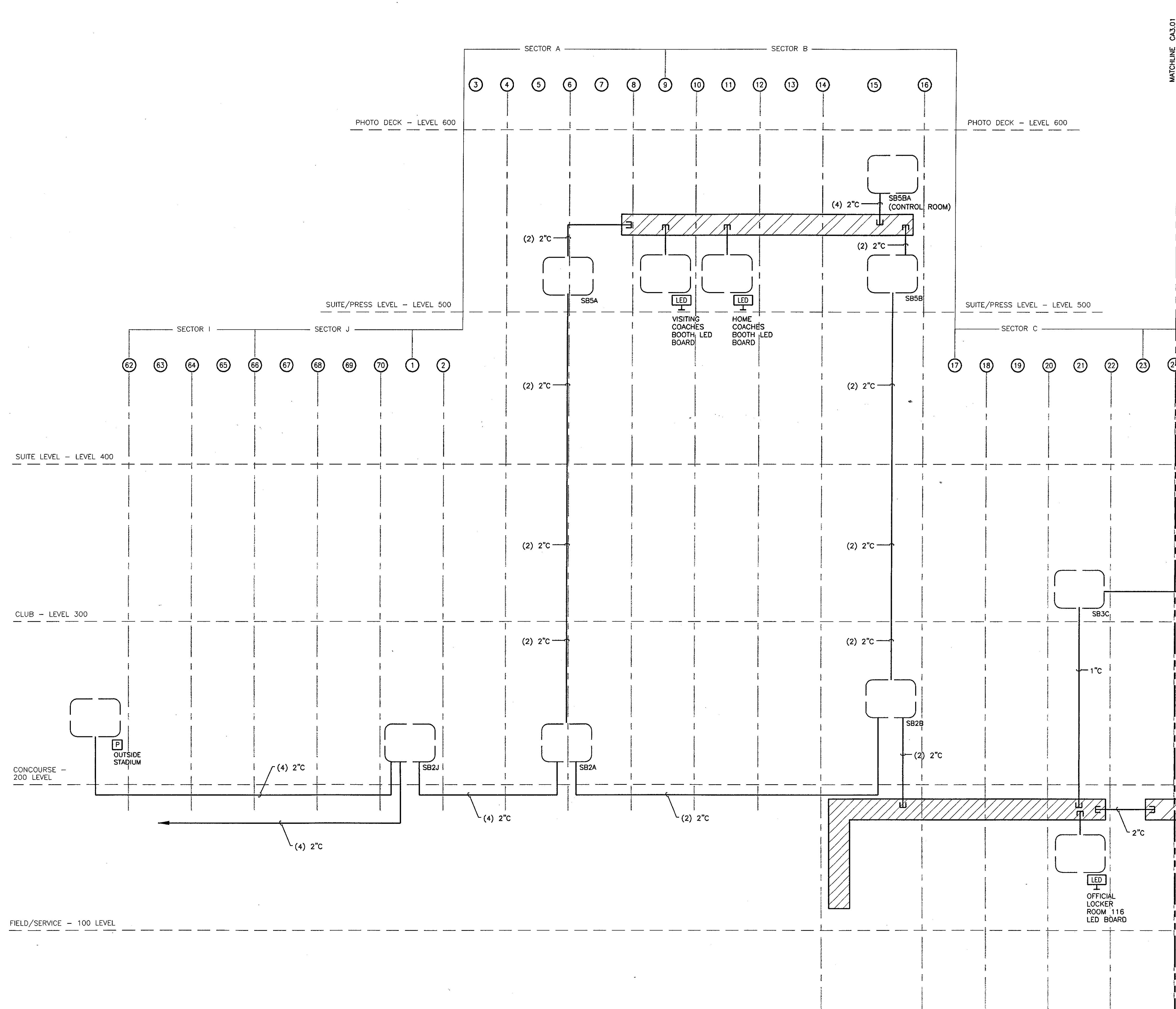
ELLERBE BECKET



4600 Madison Avenue
 Suite 1000
 Kansas City, MO 64112
 816.561.4443

© 2003 Ellerbe Becket
AUDIO/VISUAL ELECTRICAL CONDUIT RISER DIAGRAM SPEAKER LEVEL
 Scale AS SHOWN

Date 08.30.03 Comm. No. 1013.0002.00
 In Charge GLM RECORD DOCUMENTS
 Drawn By PMK
 Checked By TDL **AE503**



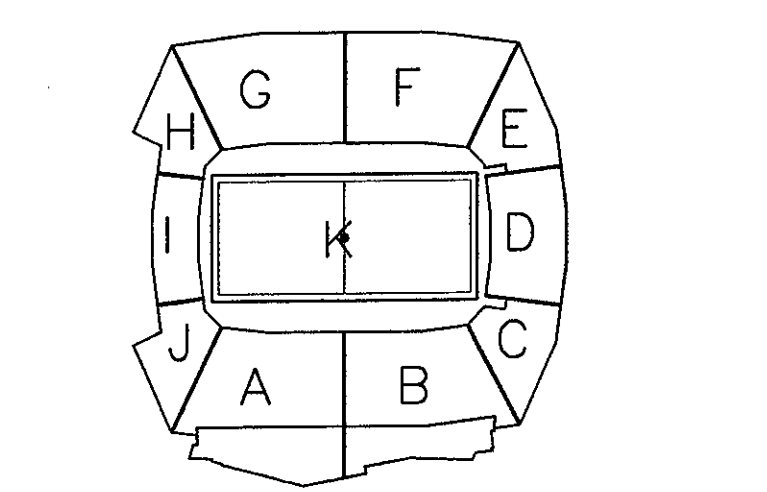
1 RISER - SCOREBOARD/VIDEOBOARD CONDUIT
 AE509 NO SCALE

NOTE: CONDUIT SHALL BE BUILT FROM INDIVIDUAL PLAN SHEETS AND NOT RISERS.

THE STADIUM AT RENTSCHLER FIELD

- Owner
State of Connecticut
- Architect
Ellerbe Becket, Inc.
 671 West 47th Street, Suite 200
 Kansas City, MO 64112-1905
 Telephone: 816.561.4443
 Facsimile: 816.561.2903
- Structural Engineering
BVH Integrated Services
 50 Gilpin Road South
 Bloomfield, CT 06033
 Telephone: 860.285.9171
 Facsimile: 860.242.0236
- Mechanical/Electrical Engineering
DTC
 556 Washington Ave
 North Haven, CT 06473
 Telephone: 203.238.4200
 Facsimile: 203.234.7376
- Civil Engineering/Traffic
Fuss & O'Neill
 140 Hartford Road
 Manchester, CT 06040-0021
 Telephone: 860.646.2469
 Facsimile: 860.643.6919
- Code Analysis
F & C Consultants, Inc.
 5233 West Parkway, Suite 225
 Kansas City, MO 64116
 Telephone: 816.523.3377
 Facsimile: 816.523.8256
- Audio/Visual
Pelton Marsh Kinsella
 1420 W. Macgregor Lane, Suite 409
 Dallas, TX 75247-4693
 Telephone: 214.688.7444
 Facsimile: 214.691.7408
- Landscape Design
CR3
 371 Hesperus Street
 Simsbury, CT 06070
 Telephone: 860.658.1598
 Facsimile: 860.658.1517
- Pool Service
The Bigelow Companies
 1575 Universal Avenue, Suite 156
 Kansas City, MO 64119
 Telephone: 816.483.3333
 Facsimile: 816.483.5519
- Geotechnical
GZA GeoEnvironmental
 27 Hook Road
 Vernon, CT 06069
 Telephone: 860.875.7055
 Facsimile: 860.872.2416
- Security
Safesecure Network
 17 E. Back Road Road
 New Britain, CT 06075
 Telephone: 860.354.7020
 Facsimile: 860.354.7020
- Vertical Circulation
Syska & Hennessy
 One Beakley, 9th Floor
 Cambridge, MA 02142
 Telephone: 617.377.9500
 Facsimile: 617.377.9191
- Sports Turf
MST
 1893 W. North Avenue
 Urbana, CT 06154-0402
 Telephone: 303.736.1440
 Facsimile: 303.736.2627

THESE RECORD DOCUMENTS HAVE BEEN PREPARED BASED ON INFORMATION SUPPLIED TO THE ARCHITECT/ENGINEER BY OTHERS. THE ARCHITECT/ENGINEER HAS NOT INDEPENDENTLY VERIFIED THE INFORMATION AND DISCLAIMS RESPONSIBILITY FOR THE ACCURACY AND COMPLETENESS THEREOF. THESE DRAWINGS ARE FOR REFERENCE ONLY AND ARE NOT TO BE USED FOR CONSTRUCTION WITHOUT DRAWINGS AND CALCULATIONS SPECIFICALLY PREPARED FOR ANY INTENDED ADDITIONAL WORK.



ELLERBE BECKET

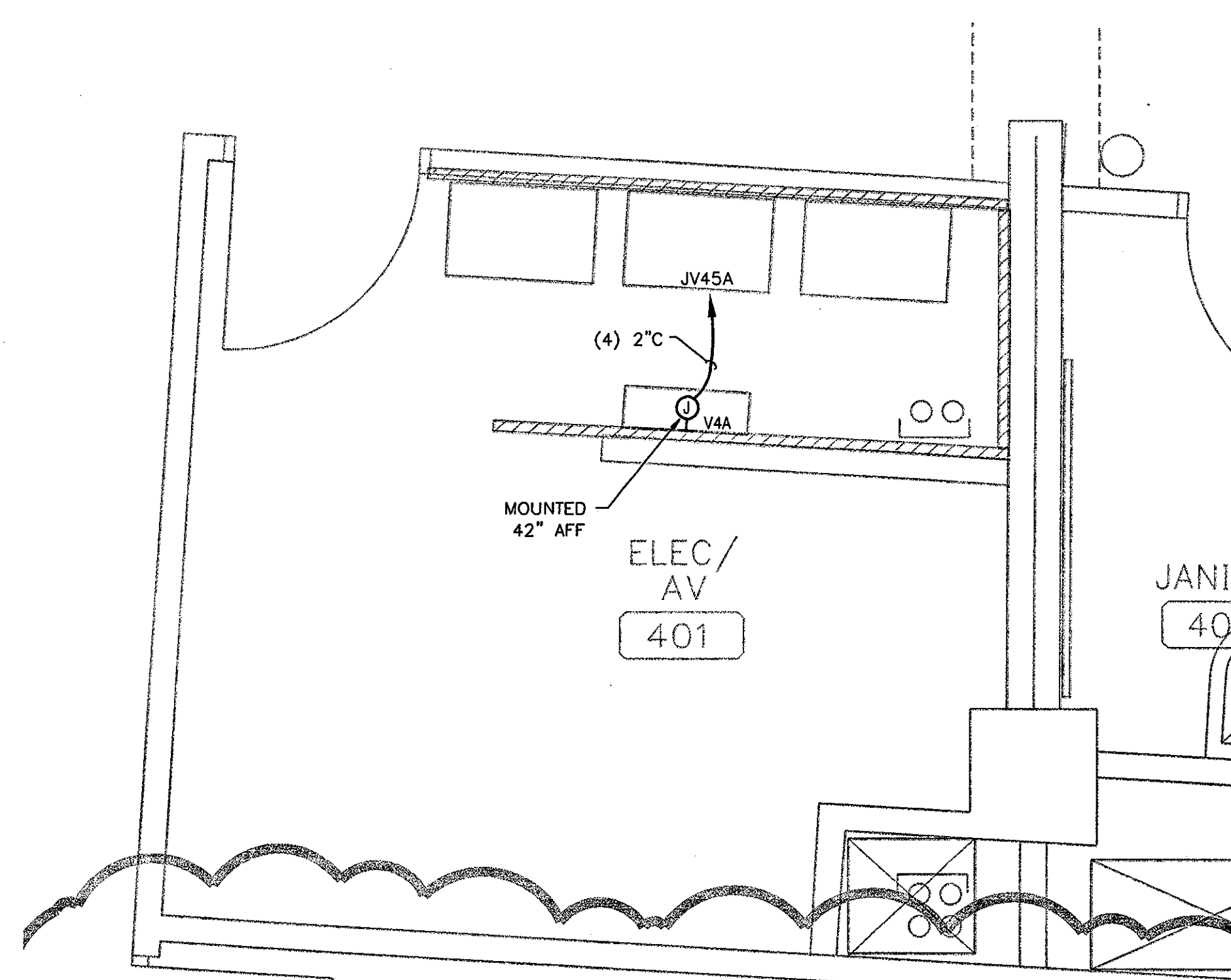


4600 Madison Avenue
 Suite 1000
 Kansas City, MO 64112
 816 561 4443

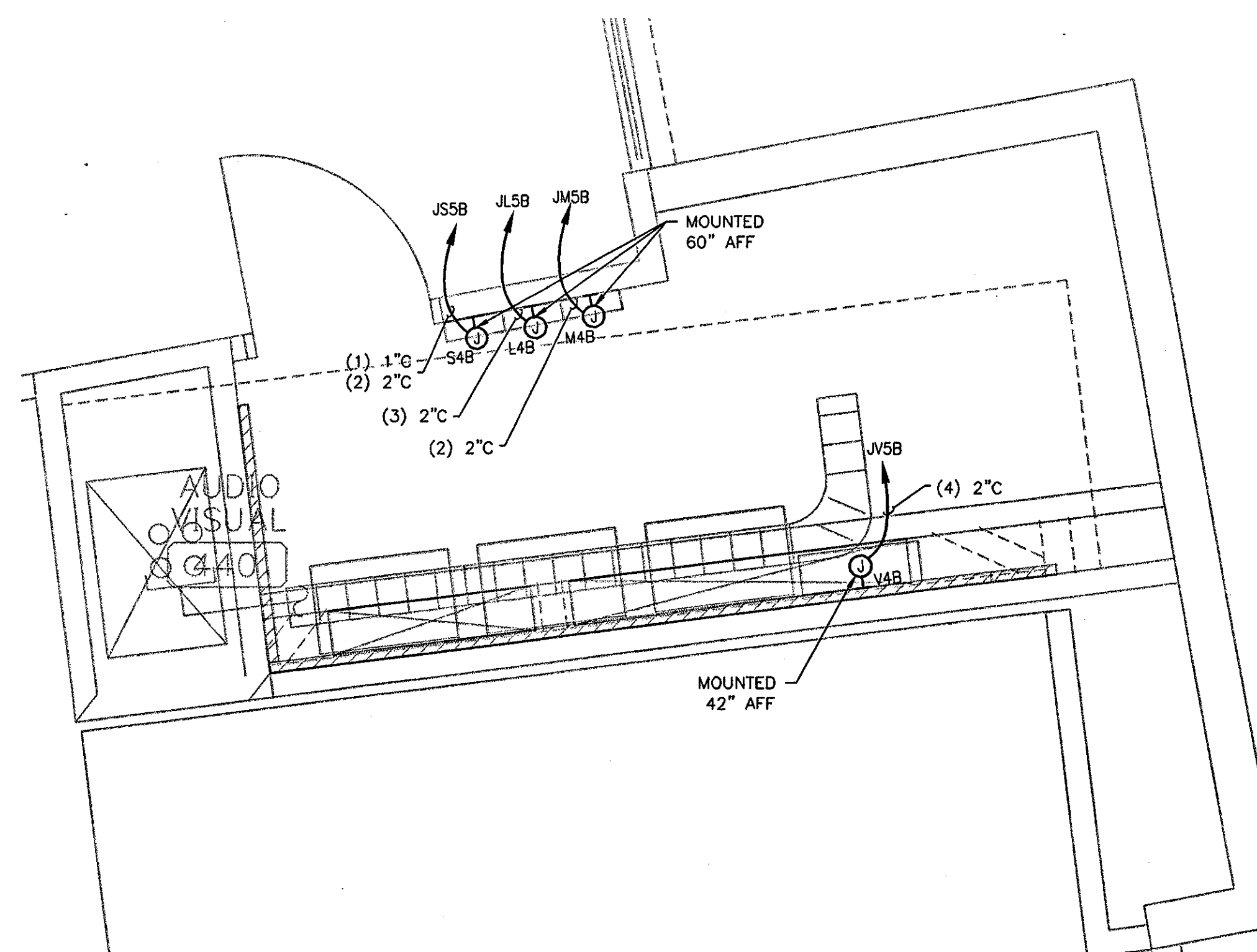
© 2003 Ellerbe Becket

AUDIO/VISUAL ELECTRICAL CONDUIT RISER DIAGRAM SCOREBOARD/VIDEOBOARD
 Scale AS SHOWN

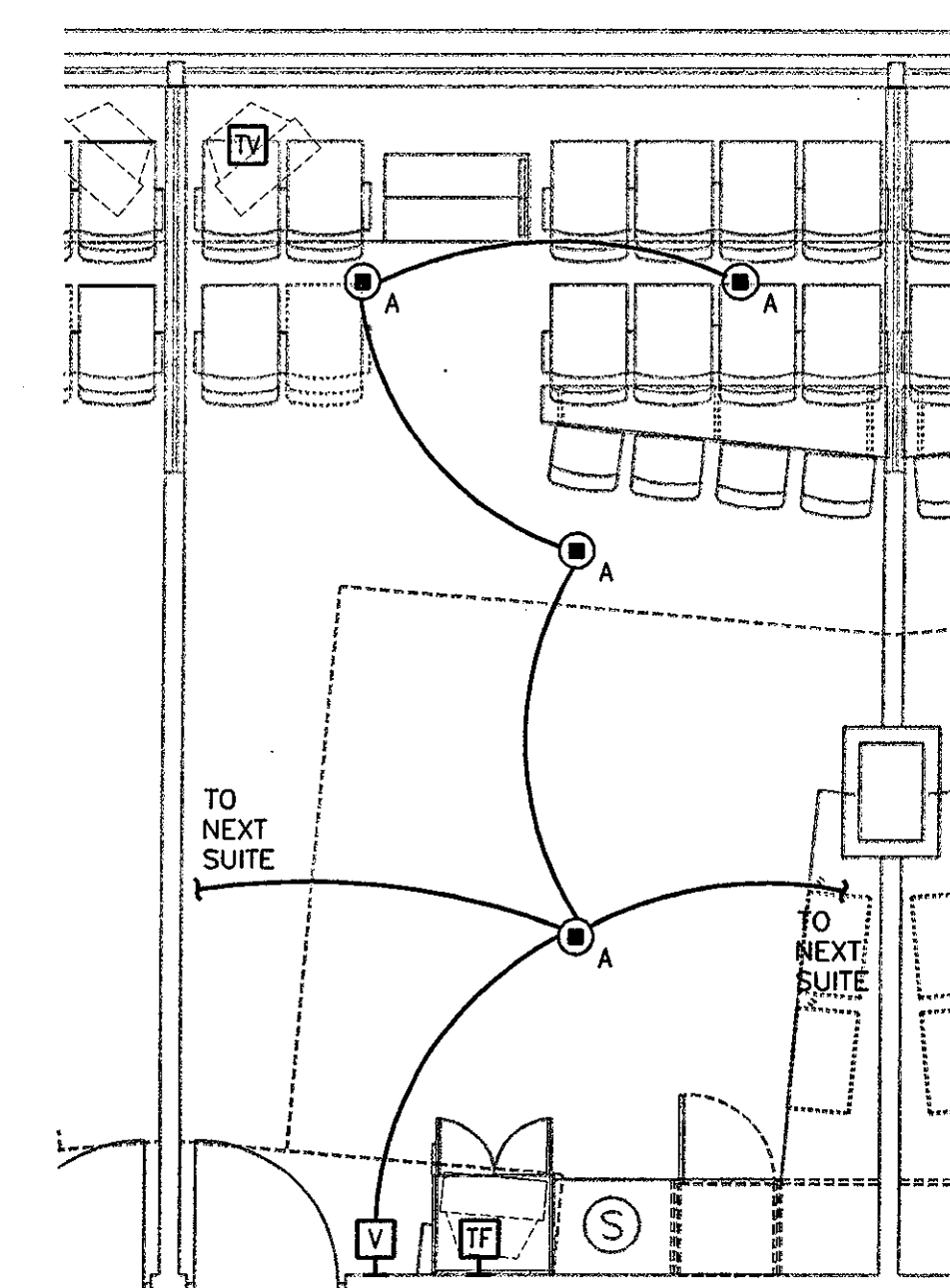
Date 08.30.03 Comm. No. 1013.0002.00
 In Charge GLM RECORD DOCUMENTS
 Drawn By PMK
 Checked By TDL **AE509**



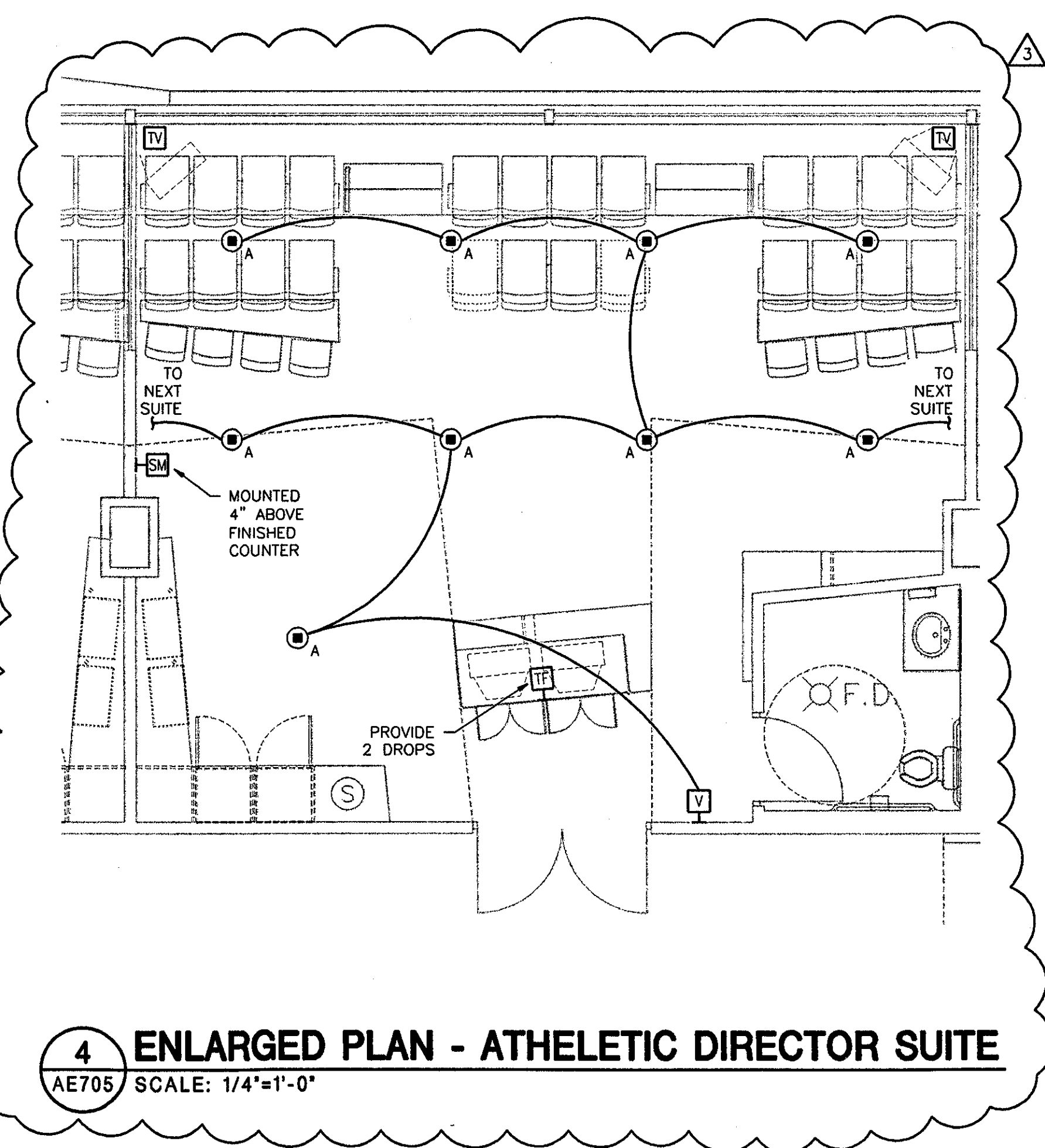
1 ENLARGED PLAN - SUITE LEVEL RISER CLOSET
AE705 SCALE: 1/2"=1'-0"



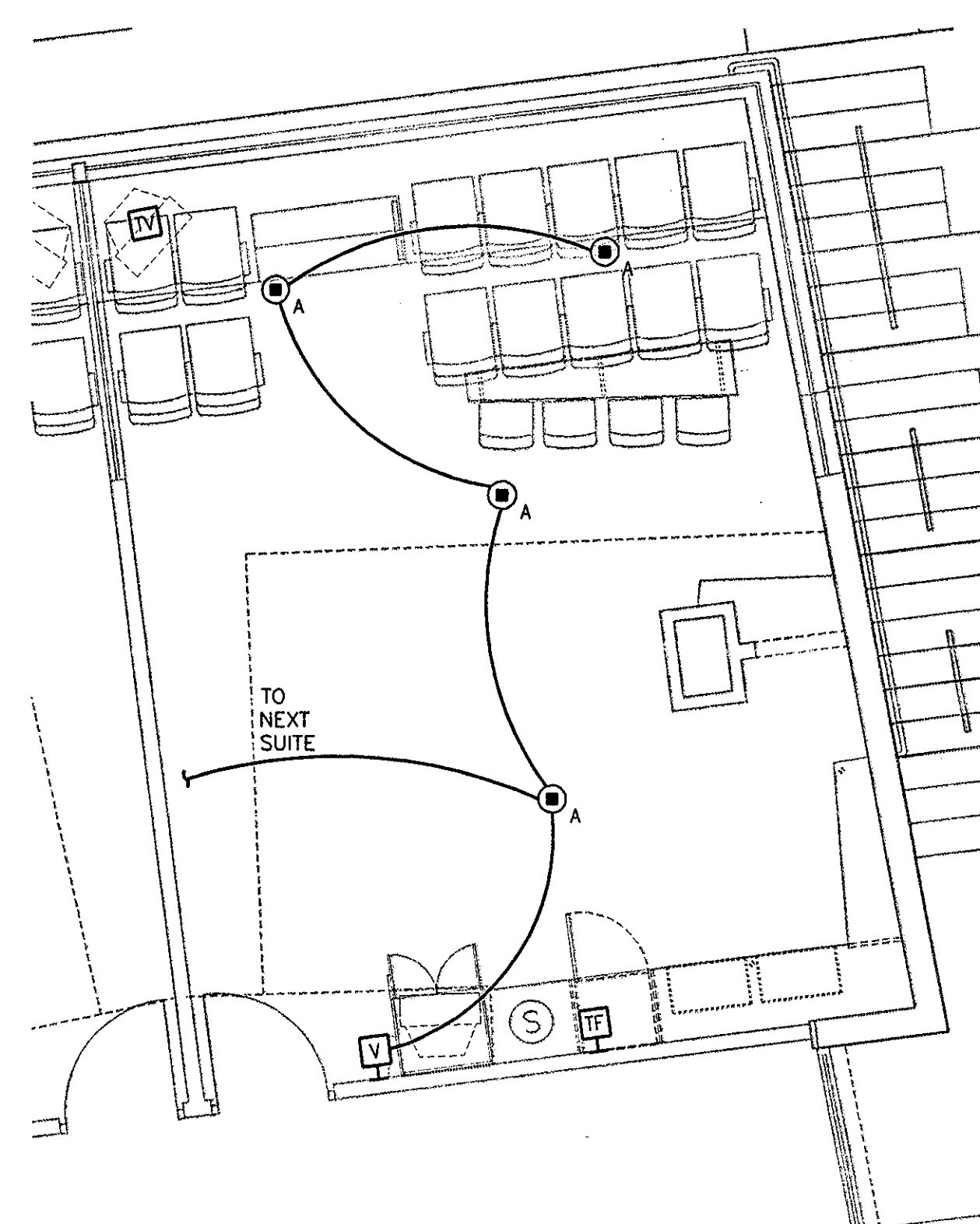
2 ENLARGED PLAN - SUITE LEVEL RISER CLOSET
AE705 SCALE: 1/2"=1'-0"



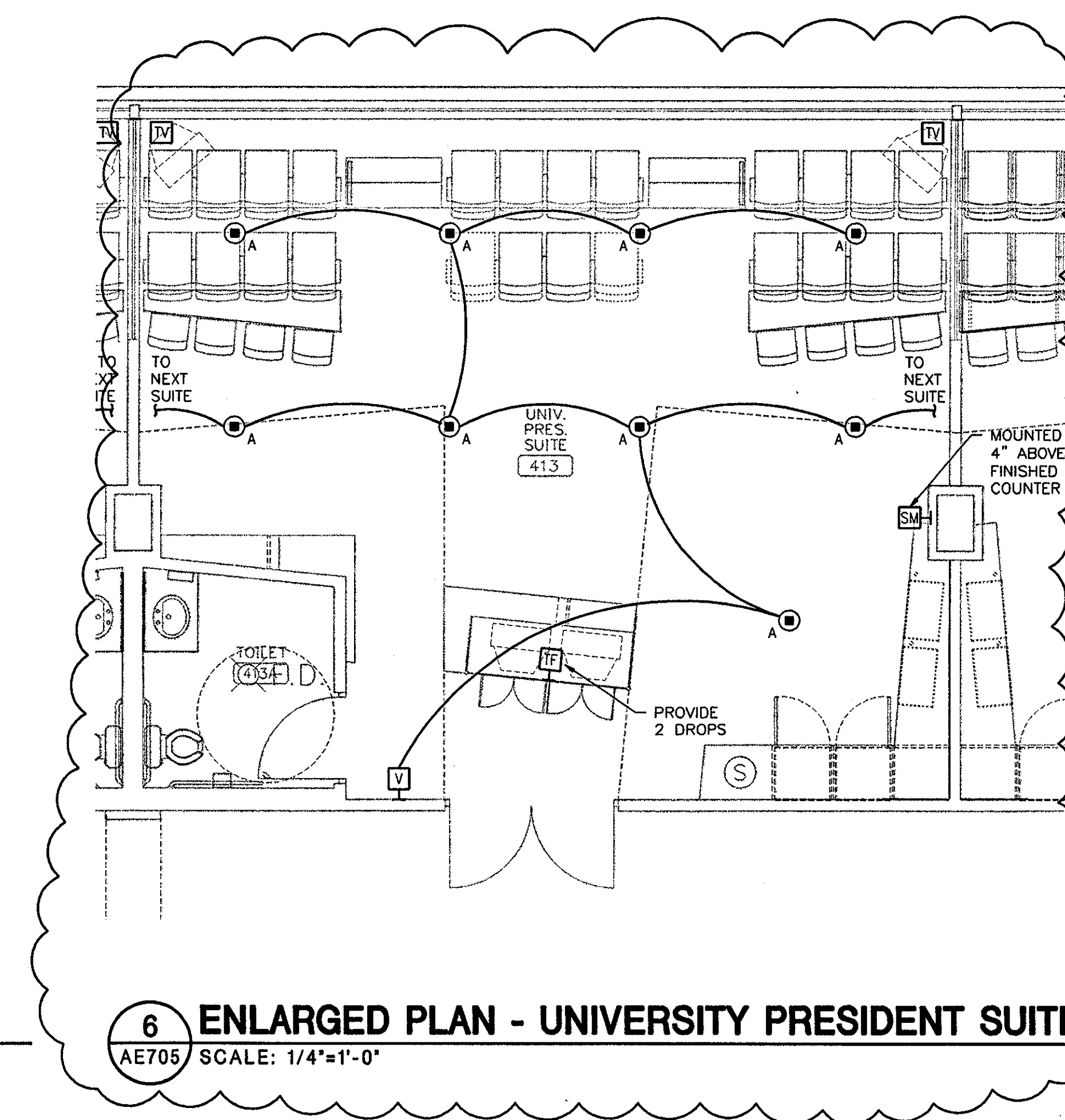
3 ENLARGED PLAN - TYPICAL SUITE LEVEL TYPE A SUITE
AE705 SCALE: 1/4"=1'-0"



4 ENLARGED PLAN - ATHLETIC DIRECTOR SUITE
AE705 SCALE: 1/4"=1'-0"



5 ENLARGED PLAN - TYPICAL SUITE LEVEL TYPE C SUITE
AE705 SCALE: 1/4"=1'-0"



6 ENLARGED PLAN - UNIVERSITY PRESIDENT SUITE
AE705 SCALE: 1/4"=1'-0"

THE STADIUM AT RENTSCHLER FIELD

Owner
State of Connecticut

Architect
Ellerbe Becket, Inc.
635 West 47th Street, Suite 200
Kansas City, MO 64112-1905
Telephone: 816.561.4443
Facsimile: 816.561.2900

Landscape Design
CR3
571 Independence Street
Simsbury, CT 06070
Telephone: 860.628.1980
Facsimile: 860.628.1217

Structural Engineering
BVH Integrated Services

50 Griffin Road South
Bloomfield, CT 06002
Telephone: 860.268.9171
Facsimile: 860.242.0226

Pool Service
The Bigelow Companies

1575 Lakeside Avenue, Suite 156
Kansas City, MO 64120
Telephone: 816.483.5533
Facsimile: 816.483.5510

Mechanical/Electrical Engineering
DTC

556 Washington Ave
North Haven, CT 06457
Telephone: 203.226.4200
Facsimile: 203.226.3726

Geotechnical
GZA GeoEnvironmental

27 Hook Road
Vernon, CT 06066
Telephone: 860.875.1025
Facsimile: 860.872.2416

CM Engineering/Trade
Fuss & O'Neill

146 Hartford Road
Hartford, CT 06105-0221
Telephone: 860.643.3489
Facsimile: 860.643.6913

Security
SafeSecure Network

17 E Buck Rock Road
Westfield, CT 06097
Telephone: 860.354.7020
Facsimile: 860.354.7020

Cost Analyst
F & C Consultants, Inc.

223 West Parkway, Suite 225
Kansas City, MO 64116
Telephone: 816.523.2377
Facsimile: 816.523.8226

Verified Consultant
Syska & Hennessy

One Brimley, 8th Floor
Cambridge, MA 02142
Telephone: 617.577.9900
Facsimile: 617.577.9191

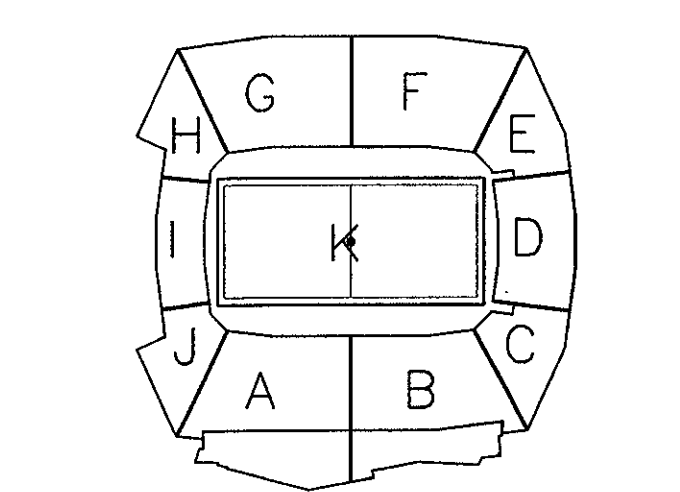
Audio/Visual
Pelton Marsh Kinsella

1420 W. Macgregor Lane, Suite 400
Dallas, TX 75247-4951
Telephone: 214.882.7444
Facsimile: 214.881.7488

Sports Turf
MST

1800 W. Faith Avenue
Olathe, KS 66061-4402
Telephone: 303.738.1440
Facsimile: 303.738.2627

THESE RECORD DOCUMENTS HAVE BEEN PREPARED BASED ON INFORMATION SUPPLIED TO THE ARCHITECT/ENGINEER BY OTHERS. THE ARCHITECT/ENGINEER HAS NOT INDEPENDENTLY VERIFIED THE INFORMATION AND DISCLAIMS RESPONSIBILITY FOR THE ACCURACY AND COMPLETENESS THEREOF. THESE DRAWINGS ARE FOR REFERENCE ONLY AND ARE NOT TO BE USED FOR CONSTRUCTION WITHOUT DRAWINGS AND CALCULATIONS SPECIFICALLY PREPARED FOR ANY INTENDED ADDITIONAL WORK.



ELLERBE BECKET



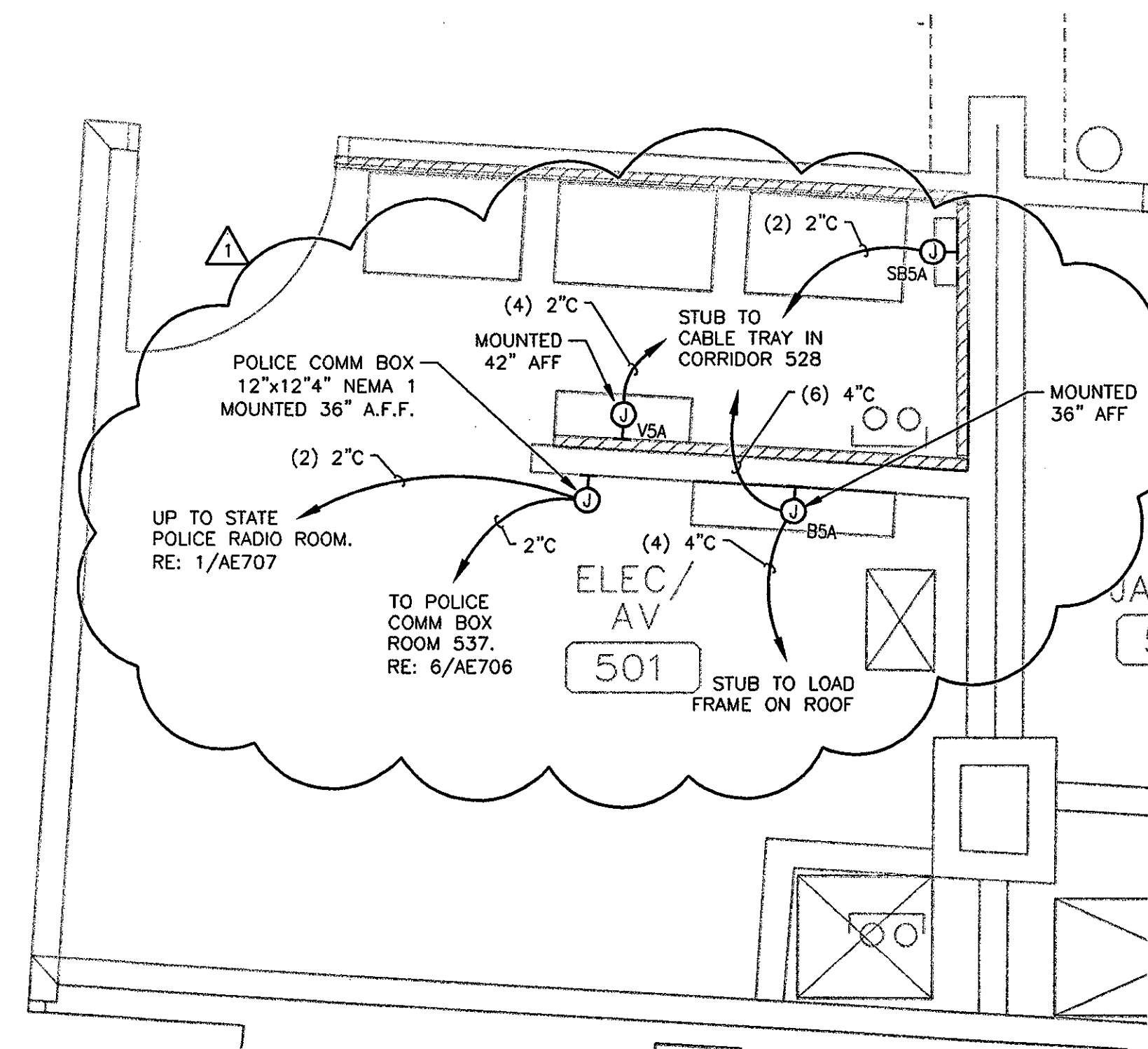
4600 Madison Avenue
Suite 1000
Kansas City, MO 64112
816.561.4443

Ellerbe Becket, Inc.

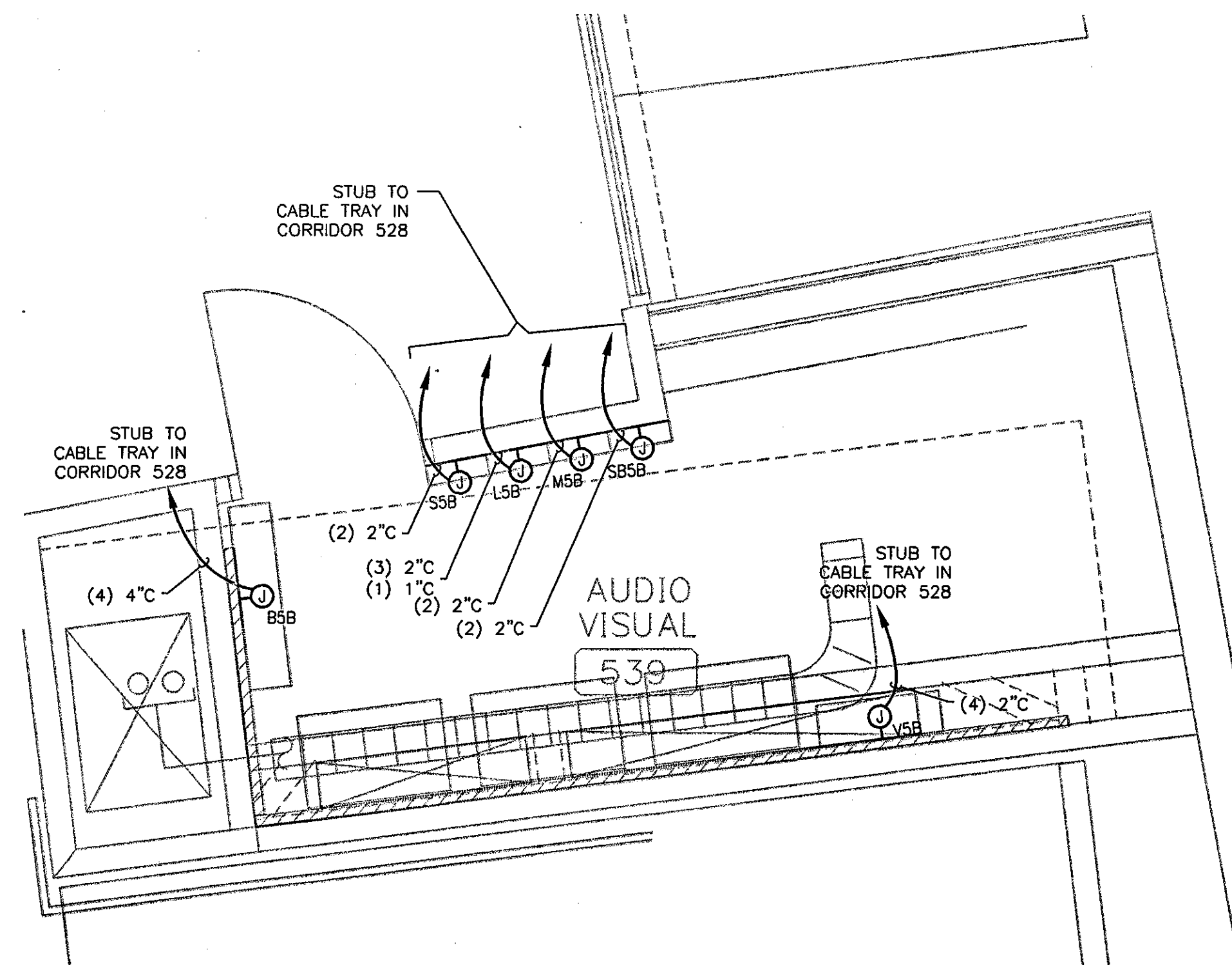
© 2003 Ellerbe Becket

AUDIO/VISUAL ELECTRICAL
ENLARGED PLANS -
SUITE LEVEL
Scale AS SHOWN

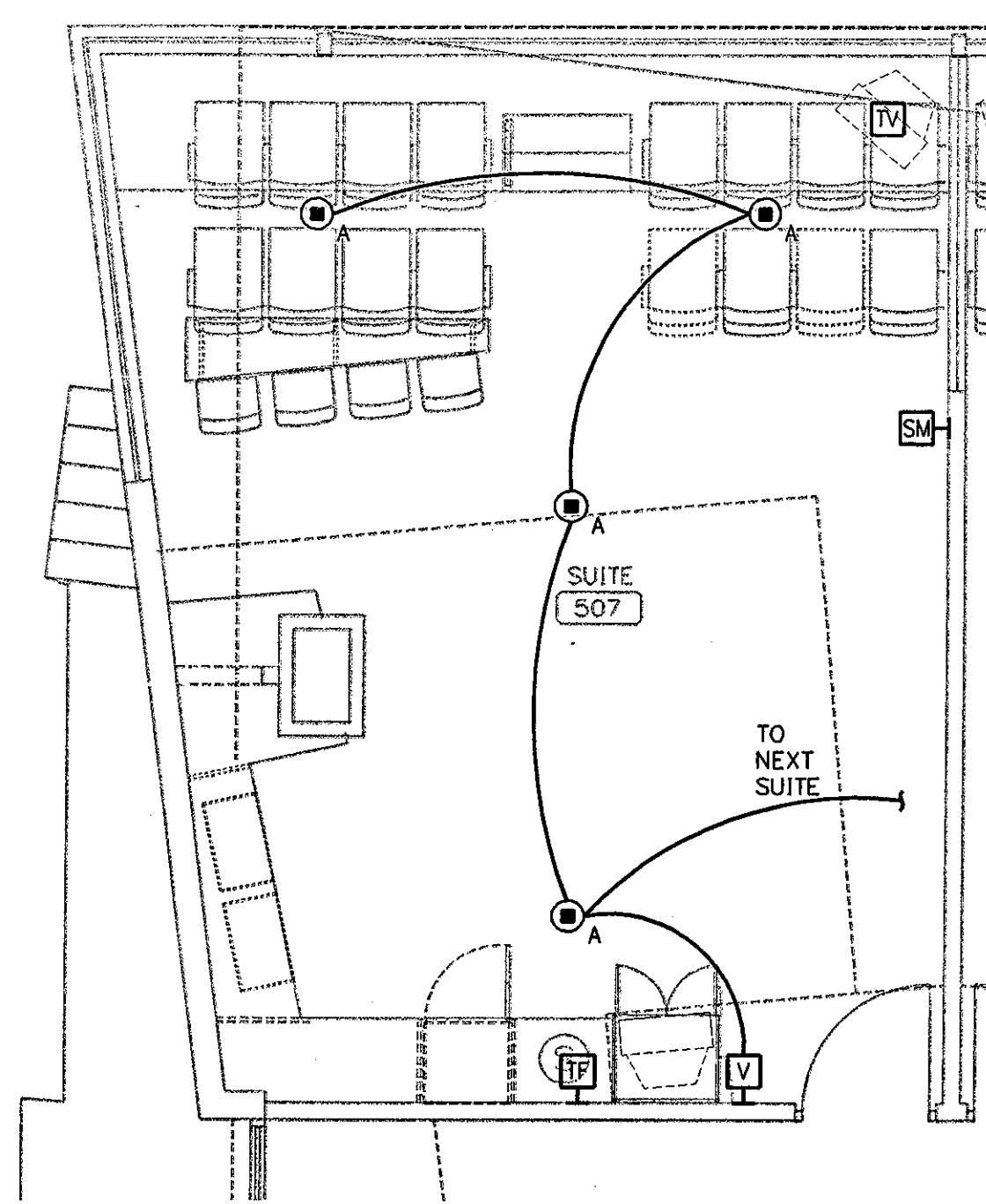
Date 08.30.03 Comm. No. 1013.0002.00
In Charge GM RECORD DOCUMENTS
Drawn By PMK
Checked By TL AE705



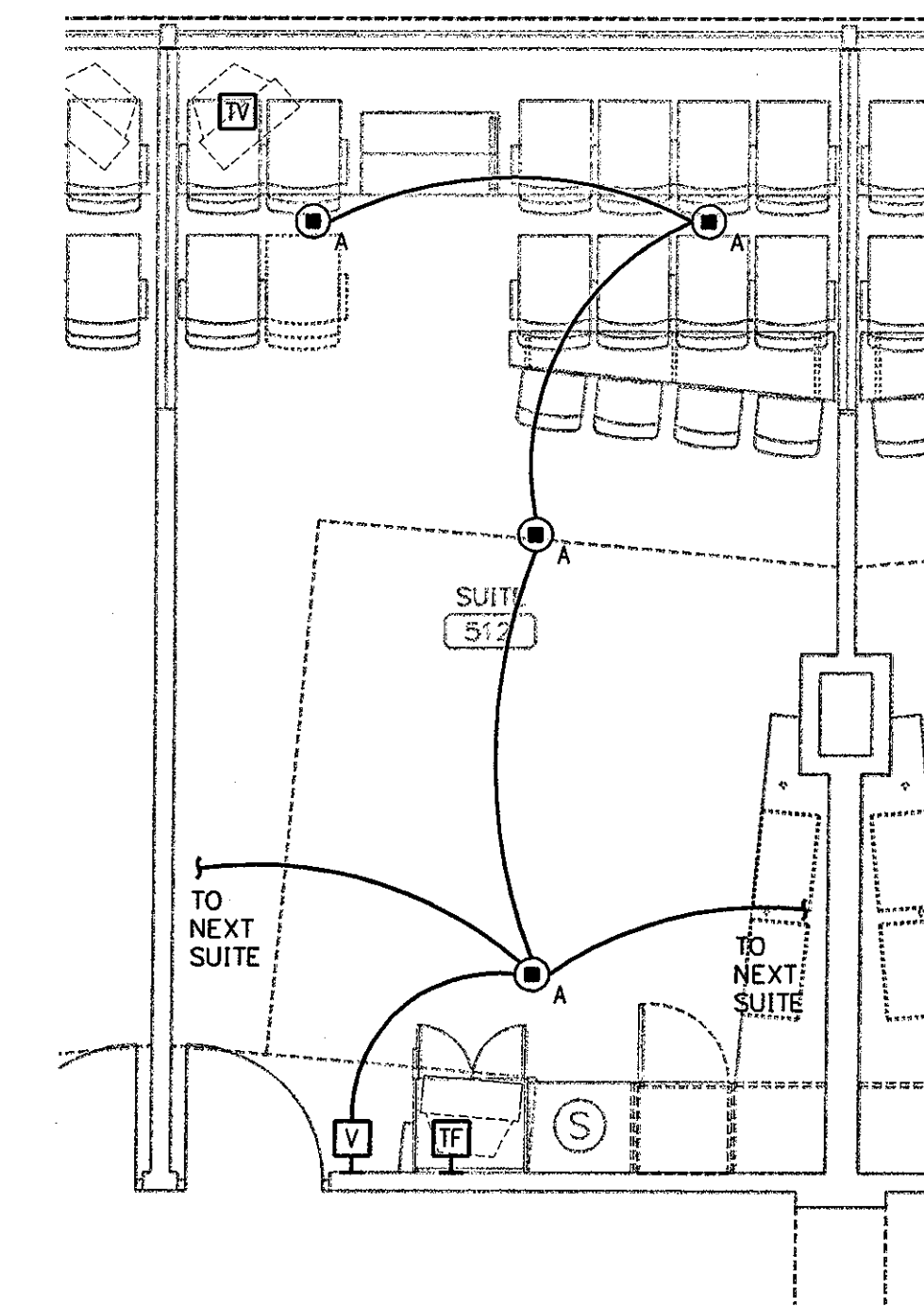
1 ENLARGED PLAN - PRESS LVL RISER CLOSET
AE706 SCALE: 1/2"=1'-0"



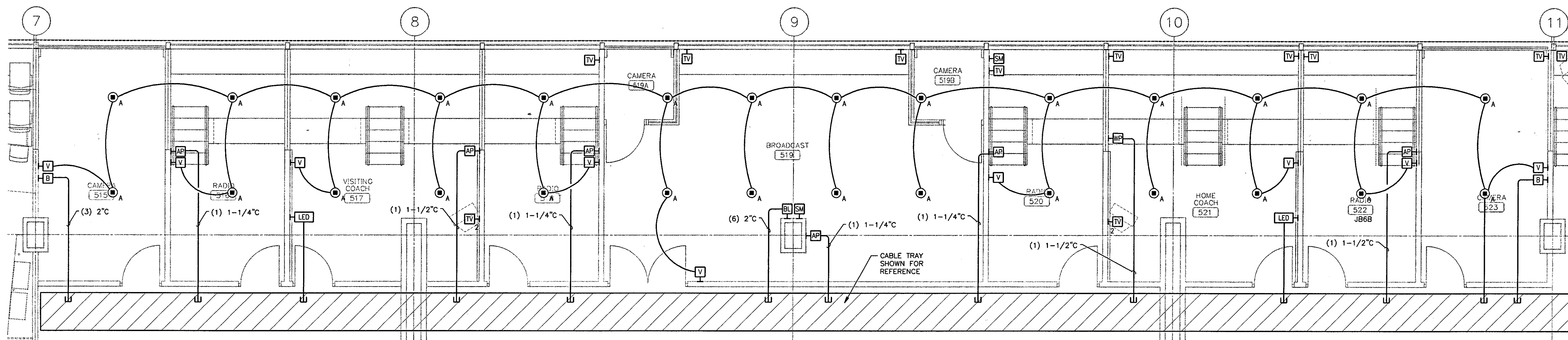
2 ENLARGED PLAN - PRESS LVL RISER CLOSET
AE706 SCALE: 1/2"=1'-0"



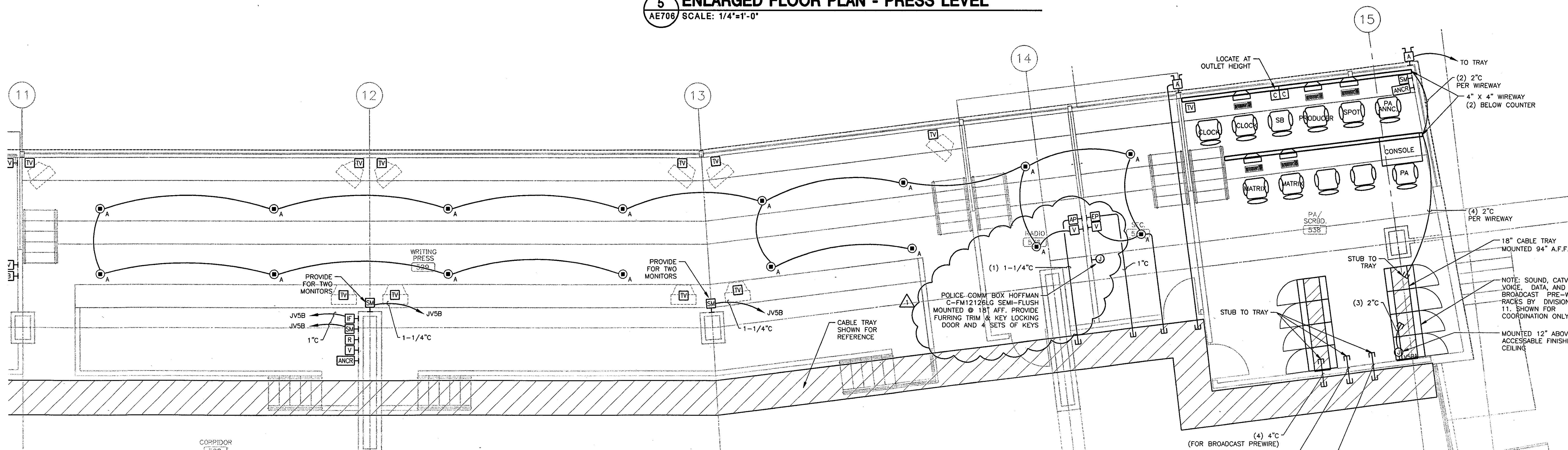
3 ENLARGED PLAN - PRESS LVL TYPE A SUITE
AE706 SCALE: 1/4"=1'-0"



4 ENLARGED PLAN - PRESS LVL TYPE B SUITE
AE706 SCALE: 1/4"=1'-0"



5 ENLARGED FLOOR PLAN - PRESS LEVEL
AE706 SCALE: 1/4"=1'-0"

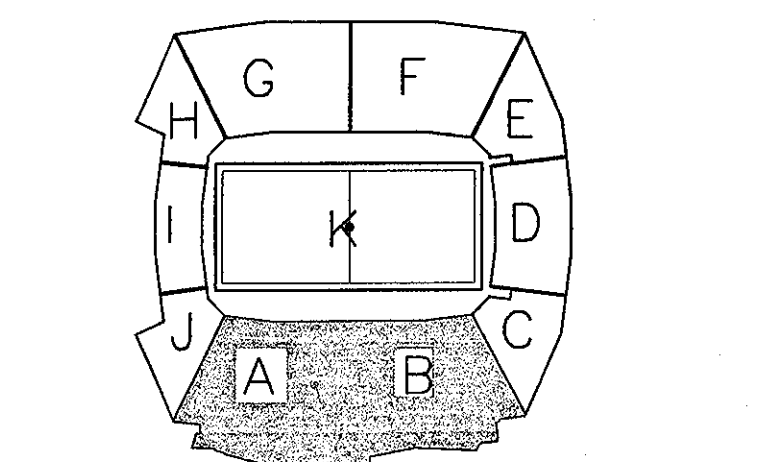


6 ENLARGED FLOOR PLAN - PRESS LEVEL
AE706 SCALE: 1/4"=1'-0"

THE STADIUM AT RENTSCHLER FIELD

- Owner**
State of Connecticut
- Architect**
Ellerbe Becket, Inc.
602 West 47th Street, Suite 200
Kansas City, MO 64112-1905
Telephone: 816.528.4400
Facsimile: 816.501.2863
- Interior Design**
CR3
571 Hopwood Street
Shelby, CT 06070
Telephone: 860.628.1888
Facsimile: 860.628.1217
- Structural Engineering**
BVH Integrated Services
50 South Main Street
Bloomfield, CT 06002
Telephone: 860.284.9771
Facsimile: 860.242.0226
- Food Service**
The Bigelow Companies
13751 North Avenue, Suite 150
Kansas City, MO 64120
Telephone: 816.483.5553
Facsimile: 816.483.3516
- Mechanical/Electrical Engineering**
DTC
555 Washington Ave
North Haven, CT 06457
Telephone: 203.239.4200
Facsimile: 203.234.7378
- Geotechnical**
GZA GeoEnvironmental
27 Hook Road
Vernon, CT 06066
Telephone: 860.875.7055
Facsimile: 860.872.2416
- Oil Engineering/Trac**
Fuss & O'Neill
140 Woodford Road
Meriden, CT 06040-0821
Telephone: 860.686.2469
Facsimile: 860.640.6513
- Security**
Safesecure Network
171 Buck Road
New Britain, CT 06076
Telephone: 860.354.7020
Facsimile: 860.354.7020
- Cable Analysis**
F.P. & C Consultants, Inc.
9233 Wood Parkway, Suite 225
Kansas City, MO 64114
Telephone: 816.523.3377
Facsimile: 816.523.8226
- Vertical Circulation**
Syska & Hennessy
One Broadway, 19th Floor
Cambridge, MA 02142
Telephone: 617.577.9000
Facsimile: 617.577.9191
- Audio/Visual**
Patton Marsh Kinsella
1402 W. Woodland Lane, Suite 405
Dallas, TX 75247-4051
Telephone: 214.688.7444
Facsimile: 214.591.7408
- Special Test**
MST
1002 W. South Avenue
Urbana, CO 80120-4402
Telephone: 303.730.1440
Facsimile: 303.730.2527

THESE RECORD DOCUMENTS HAVE BEEN PREPARED BASED ON INFORMATION SUPPLIED TO THE ARCHITECT/ENGINEER BY OTHERS. THE ARCHITECT/ENGINEER HAS NOT INDEPENDENTLY VERIFIED THE INFORMATION AND DISCLAIMS RESPONSIBILITY FOR THE ACCURACY AND COMPLETENESS THEREOF. THESE DRAWINGS ARE FOR REFERENCE ONLY AND ARE NOT TO BE USED FOR CONSTRUCTION WITHOUT DRAWINGS AND CALCULATIONS SPECIFICALLY PREPARED FOR ANY INTENDED ADDITIONAL WORK.



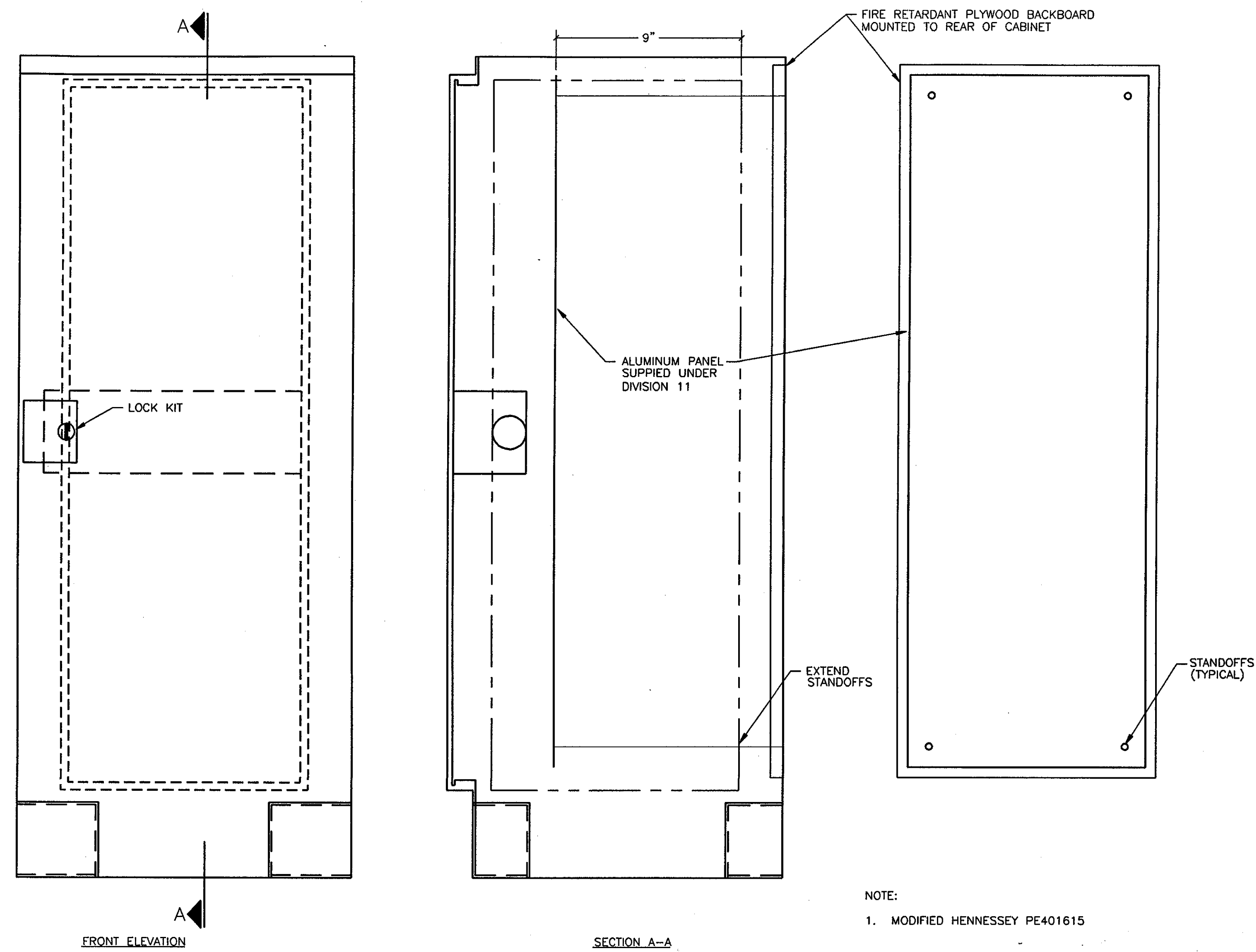
ELLERBE BECKET

4600 Madison Avenue
Suite 1000
Kansas City, MO 64112
816 561 4443

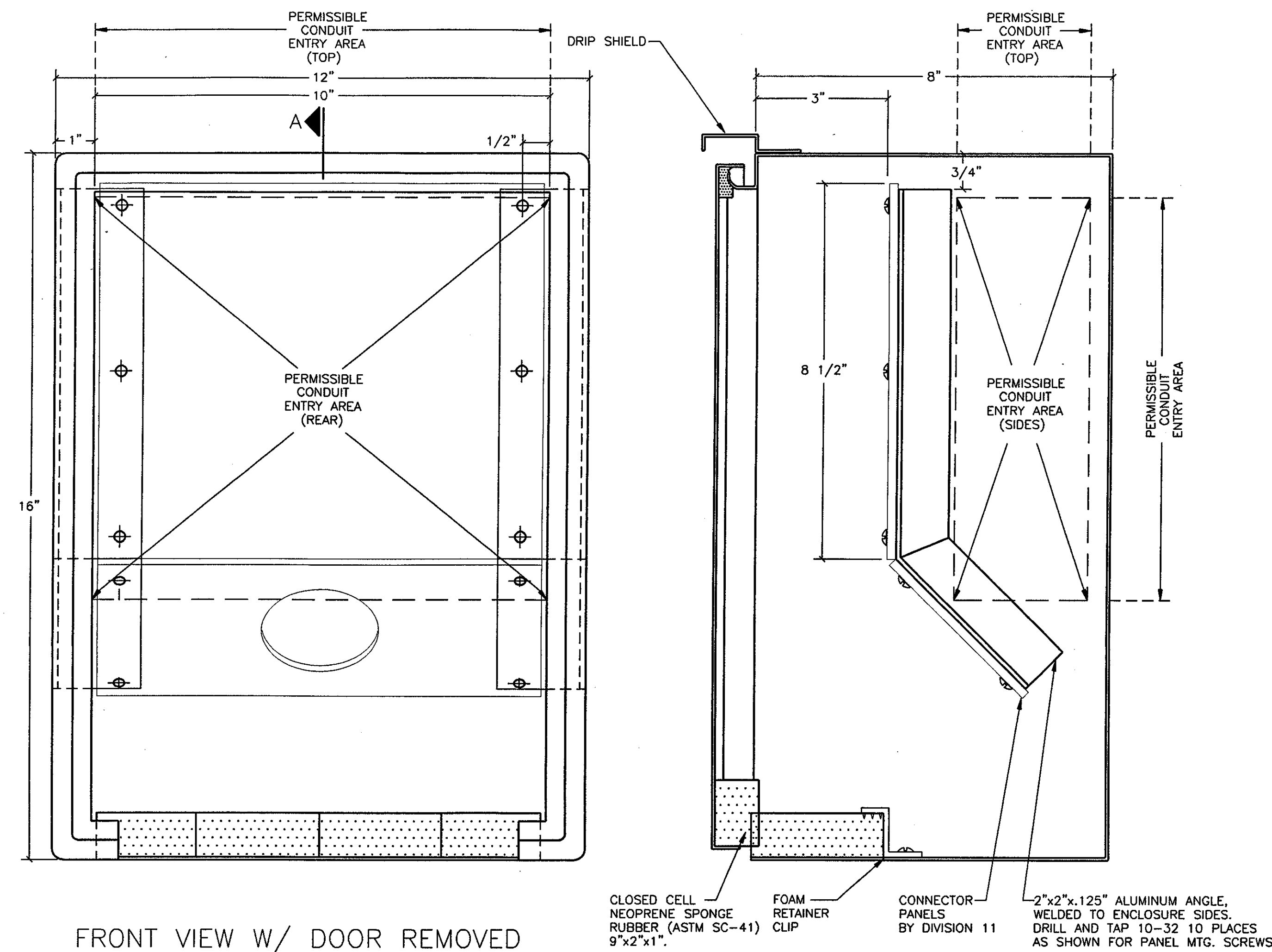
© 2003 Ellerbe Becket
AUDIO/VISUAL ELECTRICAL ENLARGED FLOOR PLANS - SUITE/PRESS LEVEL
Scale AS SHOWN

Date 08.30.03 Comm. No. 1013.0002.00
In Charge GM RECORD DOCUMENTS
Drawn By PMK
Checked By TL

AE706



NOTE:
1. MODIFIED HENNESSEY PE401615

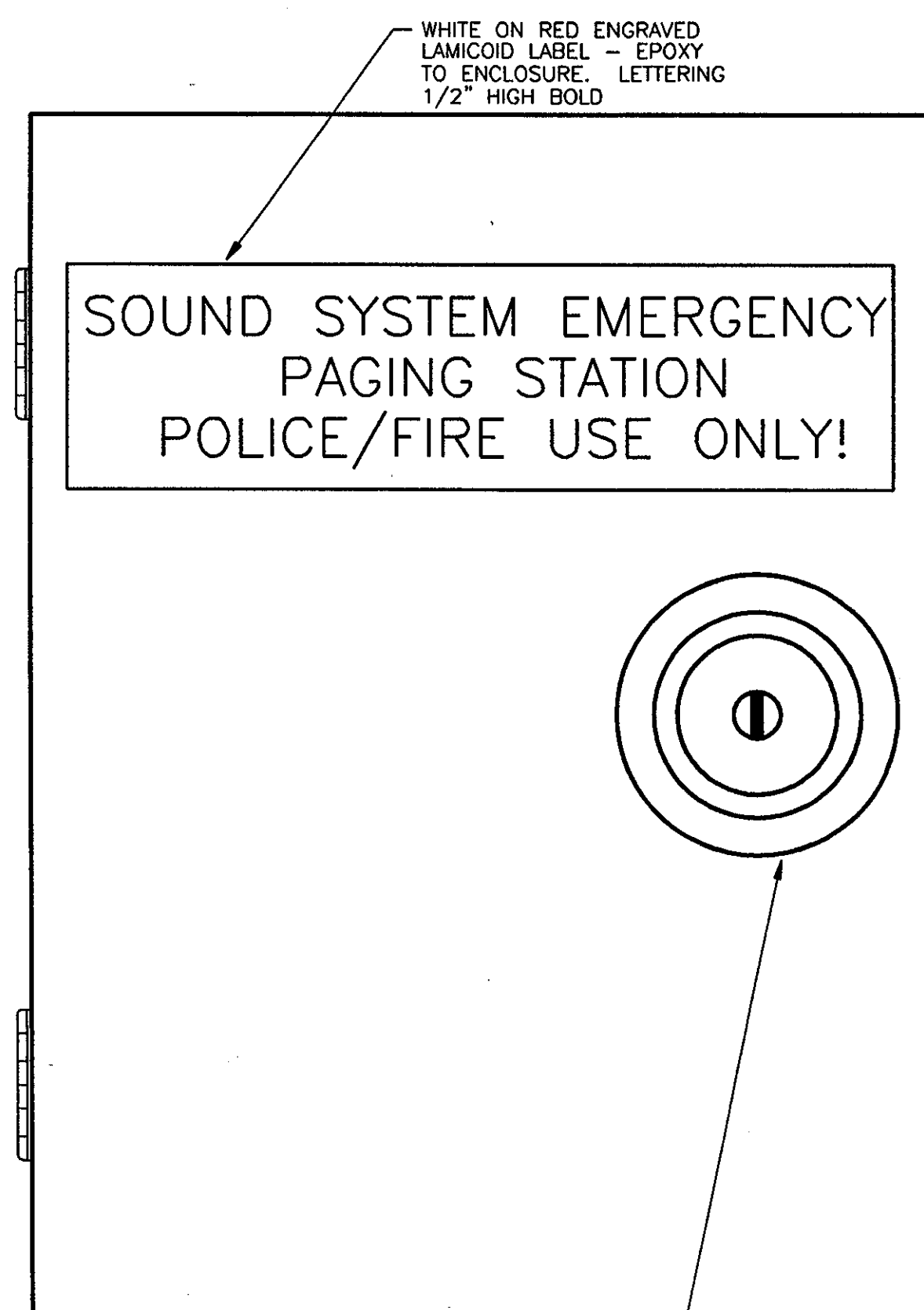


FRONT VIEW W/ DOOR REMOVED

SIDE VIEW - SECTION A-A

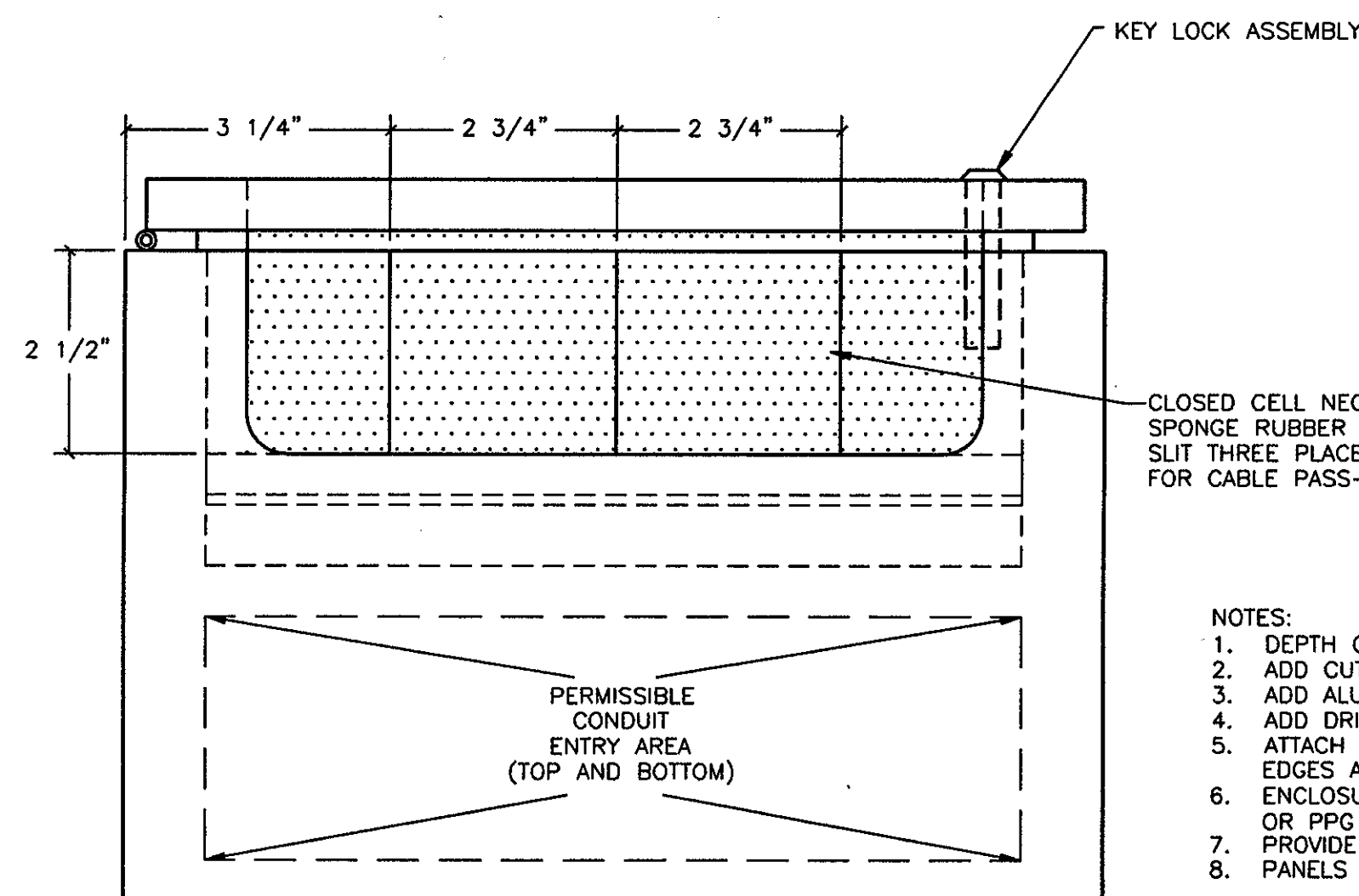
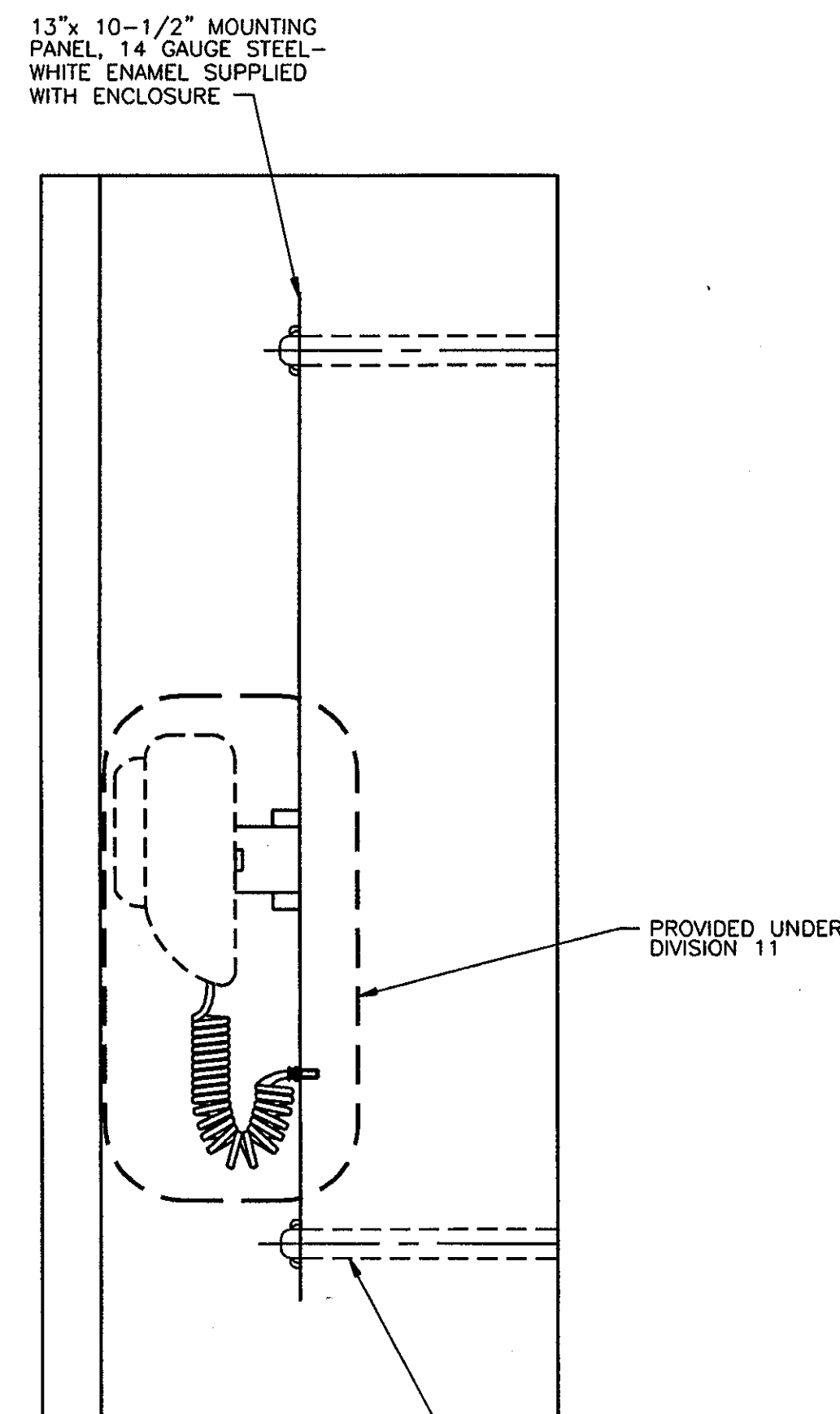
1 DETAIL - FIELD PEDESTAL ENCLOSURE

AE903 1/4"=1"



2 DETAIL - EMERGENCY PAGE INTERFACE BOX

AE903 NOT TO SCALE



BOTTOM VIEW

3 DETAIL - FIELD PANEL INTERFACE BOX

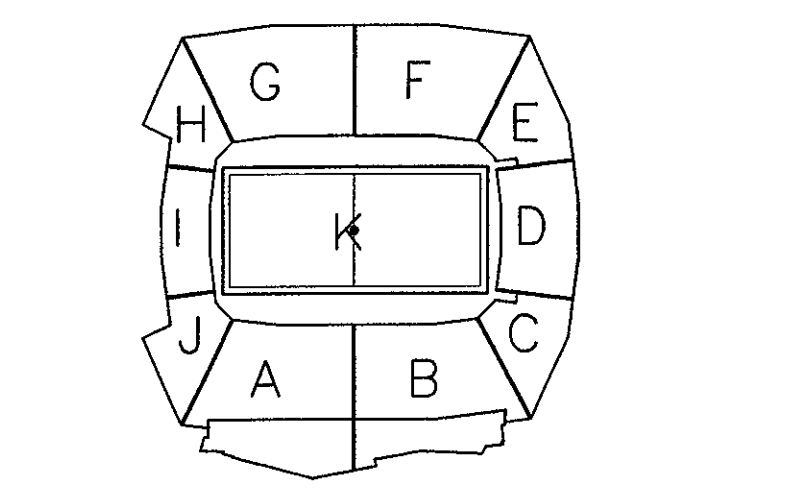
AE903 SCALE: 1/2"=1"

- NOTES:
1. DEPTH OF ENCLOSURE TO BE 8" (AS SHOWN).
 2. ADD CUTOOUT AS SHOWN ON BOTTOM VIEW FOR GASKET.
 3. ADD ALUMINUM ANGLE (DRILLED AND TAPPED) FOR MOUNTING PANELS.
 4. ADD DRIIP SHIELD IN EXTERIOR LOCATIONS.
 5. ATTACH NEOPRENE GASKETS AND COMPLETELY SEAL ALL EXPOSED ENCLOSURE EDGES AROUND GASKET USING SILICONE RTV SEALANT/ADHESIVE.
 6. ENCLOSURE IS CONSTRUCTED OF 14 GAUGE ALUMINUM, PRIME PAINT WITH PPG 97680-RED OR PPG 96789-WHITE AND FINISH PAINT AS DIRECTED BY ARCHITECT.
 7. PROVIDE WITH DOOR LOCK. KEY ALL LOCKS THE SAME.
 8. PANELS ARE PROVIDED UNDER DIVISION 11.

THE STADIUM AT RENTSCHLER FIELD

- Owner
State of Connecticut
- Architect
Ellerbe Becket, Inc.
805 West 47th Street, Suite 200
Kansas City, MO 64112-1905
Telephone: 816.883.4443
Facsimile: 816.881.2863
- Landscape Design
CR3
571 Hagerman Street
Stamford, CT 06907
Telephone: 860.628.1209
Facsimile: 860.628.1217
- Structural Engineering
BVH Integrated Services
50 Gales Road South
Bloomfield, CT 06002
Telephone: 860.286.9171
Facsimile: 860.242.0626
- Food Service
The Bigelow Companies
1575 Memorial Avenue, Suite 150
Kansas City, MO 64130
Telephone: 816.482.5553
Facsimile: 816.482.5510
- Mechanical/Electrical Engineering
DTC
558 Washington Ave
North Haven, CT 06457
Telephone: 203.239.4200
Facsimile: 203.234.7376
- Geotechnical
GZA GeoEnvironmental
27 Nash Road
Vernon, CT 06065
Telephone: 860.875.7055
Facsimile: 860.872.2416
- Civil Engineering/Traffic
Fuss & O'Neill
171 Rock Road
Meriden, CT 06040-5221
Telephone: 860.646.2489
Facsimile: 860.642.5913
- Security
Safesecure Network
New Milford, CT 06776
Telephone: 860.354.7020
Facsimile: 860.354.7020
- Cost Analysis
F P & C Consultants, Inc.
5929 West Parkway, Suite 225
Kansas City, MO 64114
Telephone: 816.523.3377
Facsimile: 816.523.2526
- Vertical Circulation
Syska & Henssey
One Brookline, 9th Floor
Cambridge, MA 02142
Telephone: 617.577.8200
Facsimile: 617.577.9191
- Acoustic
Petron Marsh Kinsella
1420 W. Montague Ave, Suite 400
Dallas, TX 75247-4991
Telephone: 214.688.2444
Facsimile: 214.691.3408
- Speech/Tel
MST
1800 W. Sixth Avenue
Joliet, IL 61734-4602
Telephone: 309.739.1440
Facsimile: 309.739.2627

THESE RECORD DOCUMENTS HAVE BEEN PREPARED BASED ON INFORMATION SUPPLIED TO THE ARCHITECT/ENGINEER BY OTHERS. THE ARCHITECT/ENGINEER HAS NOT INDEPENDENTLY VERIFIED THE INFORMATION AND DISCLAIMS RESPONSIBILITY FOR THE ACCURACY AND COMPLETENESS THEREOF. THESE DRAWINGS ARE FOR REFERENCE ONLY AND ARE NOT TO BE USED FOR CONSTRUCTION WITHOUT DRAWINGS AND CALCULATIONS SPECIFICALLY PREPARED FOR ANY INTENDED ADDITIONAL WORK.



ELLERBE BECKET

4600 Madison Avenue
Suite 1000
Kansas City, MO 64112
816 561 4443

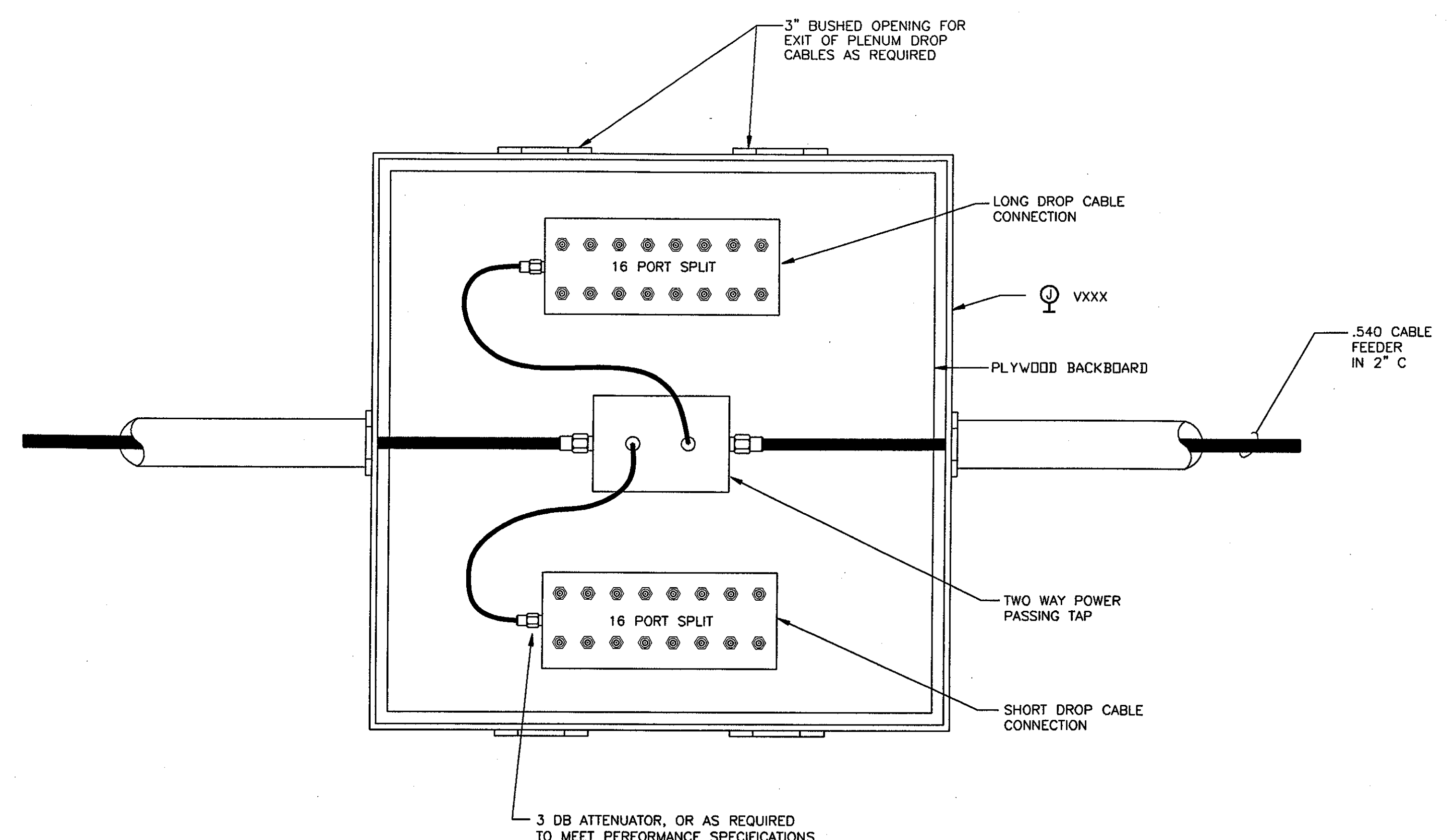
Ellerbe Becket, Inc.

© 2003 Ellerbe Becket

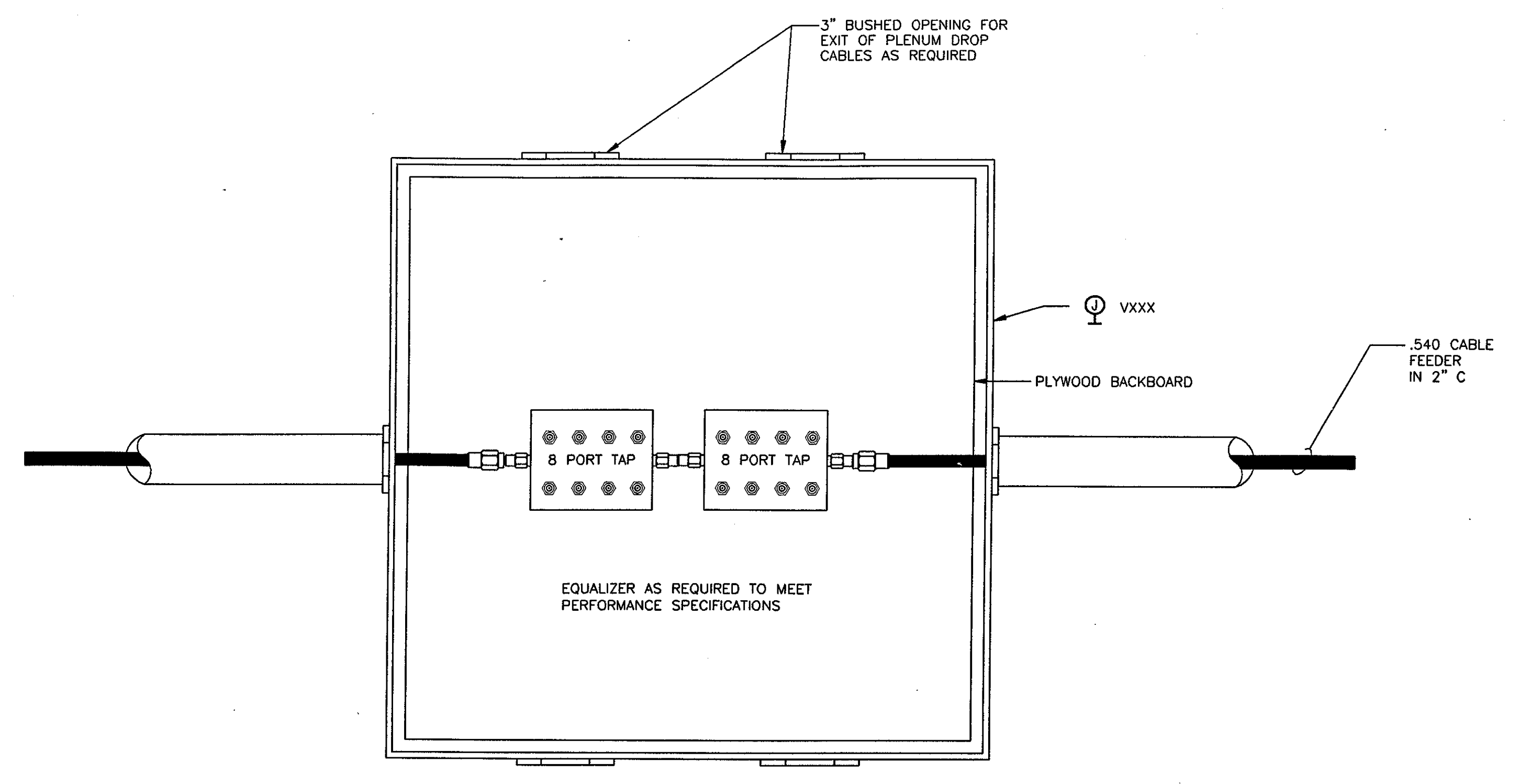
DETAILS - FIELD PEDESTAL, EMERGENCY PAGE BOX, AND FIELD PANEL BOX
Scale AS SHOWN

Date 08.30.03 Comm. No. 1013.0002.00
In Charge GLM RECORD DOCUMENTS
Drawn By PMK
Checked By TDL

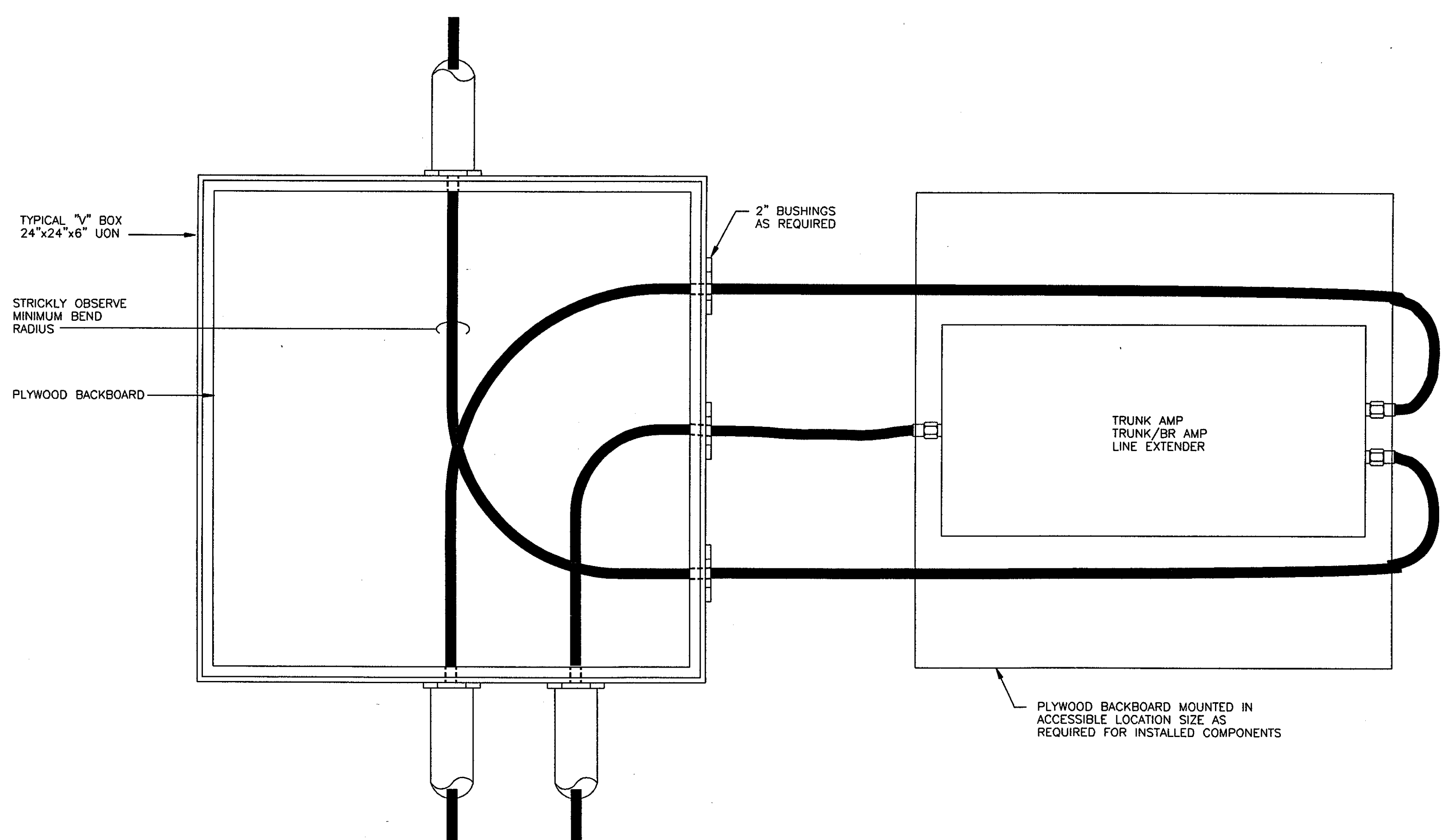
AE903



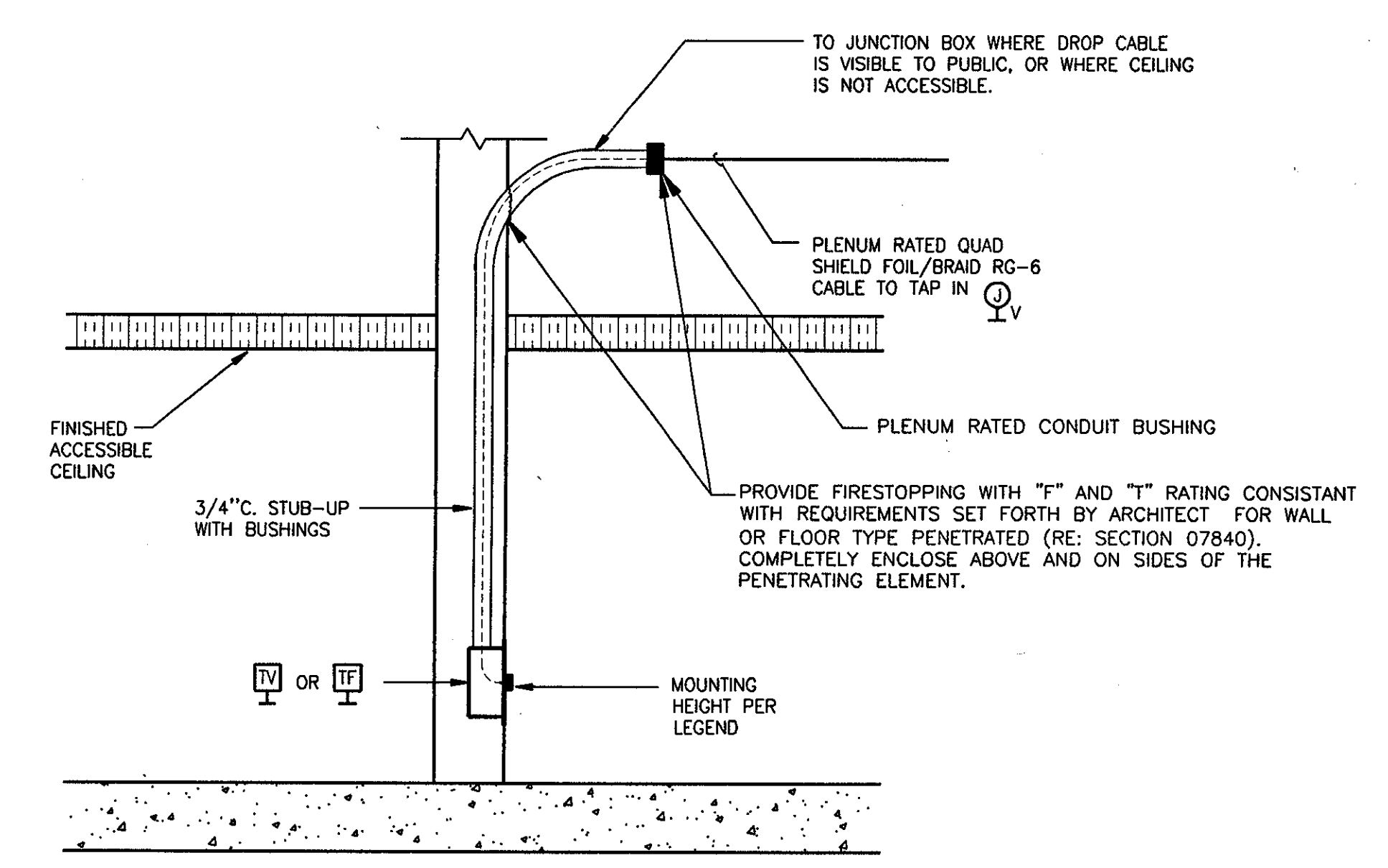
1 **DETAIL - TYPICAL 32 DROP TAP PORT ASSEMBLY**
 AE905 SCALE: 1/4"=1'
 NOTE: CONDUIT AND BOXES BY DIVISION 16, CABLE AND DEVICES BY DIVISION 11.



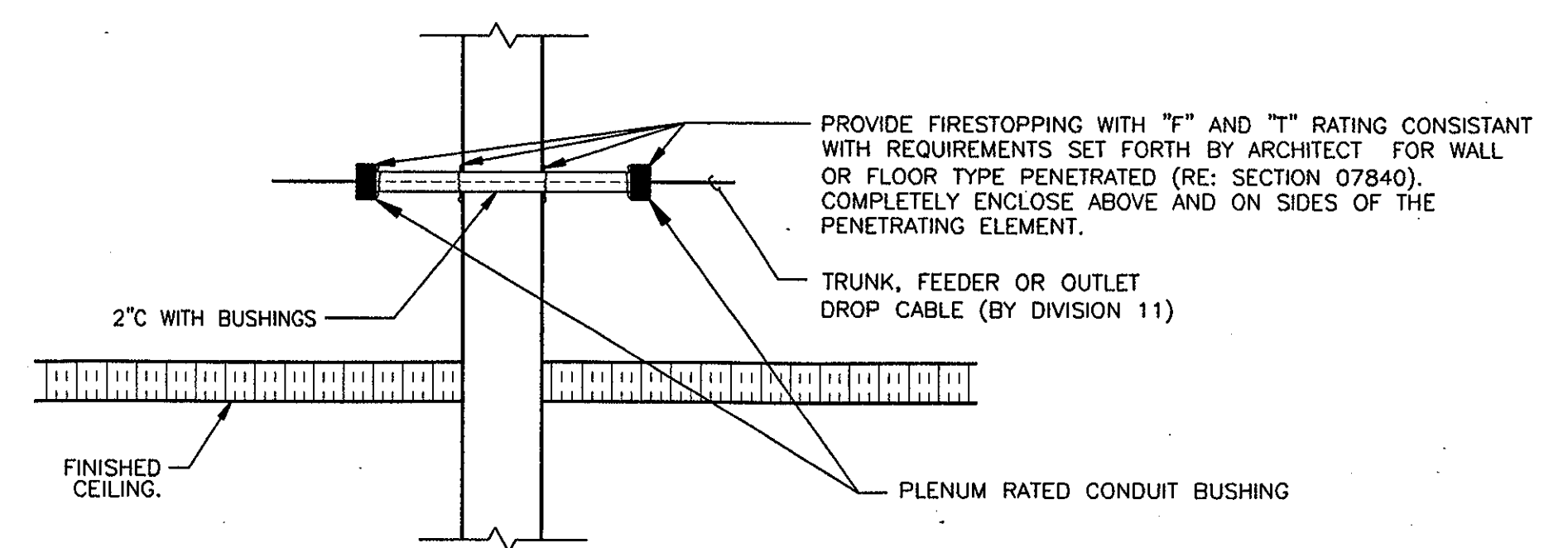
2 **DETAIL - TYPICAL DUAL EIGHT DROP TAP PORT ASSEMBLY**
 AE905 SCALE: 1/4"=1'
 NOTE: CONDUIT AND BOXES BY DIVISION 16, CABLE AND DEVICES BY DIVISION 11.



3 **TYPICAL DETAIL FOR CATV COMPONENTS**
 AE905 SCALE: 1/4"=1'
 NOTE: CONDUIT AND BOXES BY DIVISION 16, CABLE AND DEVICES BY DIVISION 11.



4 **DETAIL - TV DROP CABLE AND OUTLET**
 AE905 SCALE: NONE



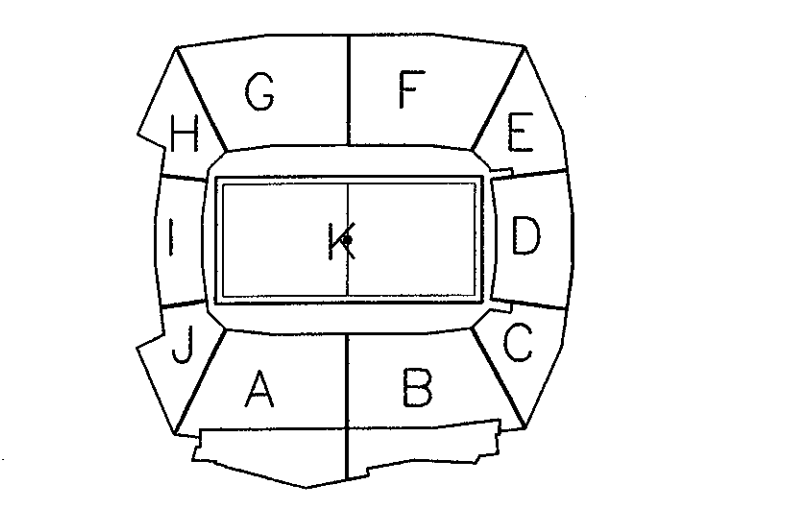
5 **DETAIL - RATED WALL PENETRATION**
 AE905 SCALE: NONE

NOTES - DROP CABLES AND OUTLETS
 1. ARCHITECT TO SPECIFY COVER MATERIAL AND FINISH OF WALL PLATE.
 2. LETTER BESIDE OUTLET INDICATES TAP IDENTIFICATION.
 3. REFER TO ARCHITECTURAL AND INTERIOR SHEETS FOR ELEVATION AND PLACEMENT.

THE STADIUM AT RENTSCHLER FIELD

- Owner
State of Connecticut
- Architect
Ellerbe Becket, Inc.
 605 West 4th Street, Suite 200
 Kansas City, MO 64112-1995
 Telephone: 816.561.4443
 Facsimile: 816.561.2863
- Landscaping Design
CRG
 571 Independence Street
 St. Louis, MO 63107
 Telephone: 865.628.1988
 Facsimile: 865.628.1217
- Structural Engineering
BVH Integrated Services
 50 Gilley Road South
 Bloomfield, CT 06002
 Telephone: 860.288.9171
 Facsimile: 860.242.8236
- Food Service
The Bigelow Companies
 1375 Universal Avenue, Suite 156
 Kansas City, MO 64130
 Telephone: 816.483.3333
 Facsimile: 816.483.3510
- Mechanical/Electrical Engineering
DTC
 556 Washington Ave
 North Haven, CT 06473
 Telephone: 203.238.4209
 Facsimile: 203.234.7376
- Geotechnical
GZA GeoEnvironmental
 27 Hook Road
 Vernon, CT 06066
 Telephone: 860.875.7655
 Facsimile: 860.872.2416
- Old Engineering/Trade
Fuss & O'Neill
 146 Hartford Road
 Middletown, CT 06450-0521
 Telephone: 860.642.2469
 Facsimile: 860.642.6315
- Security
Safesecure Network
 17 E Back Rock Road
 Westfield, CT 06097
 Telephone: 860.354.7020
 Facsimile: 860.354.7020
- Cost Analyst
F P & C Consultants, Inc.
 5829 Wood Parkway, Suite 225
 Kansas City, MO 64114
 Telephone: 816.532.3377
 Facsimile: 816.532.8256
- Vertical Circulation
Syska & Hennessy
 One Brookline, 9th Floor
 Cambridge, MA 02142
 Telephone: 617.577.9900
 Facsimile: 617.577.9191
- Audio/Visual
Pelton Marsh Kinsella
 140 W. Macgregor Lane, Suite 400
 Dallas, TX 75247-0851
 Telephone: 214.688.7444
 Facsimile: 214.951.7408
- Sports Turf
MST
 1880 W. 16th Avenue
 Durango, CO 81302-0402
 Telephone: 303.726.1440
 Facsimile: 303.726.2627

THESE RECORD DOCUMENTS HAVE BEEN PREPARED BASED ON INFORMATION SUPPLIED TO THE ARCHITECT/ENGINEER BY OTHERS. THE ARCHITECT/ENGINEER HAS NOT INDEPENDENTLY VERIFIED THE INFORMATION AND DISCLAIMS RESPONSIBILITY FOR THE ACCURACY AND COMPLETENESS THEREOF. THESE DRAWINGS ARE FOR REFERENCE ONLY AND ARE NOT TO BE USED FOR CONSTRUCTION WITHOUT DRAWINGS AND CALCULATIONS SPECIFICALLY PREPARED FOR ANY INTENDED ADDITIONAL WORK.



ELLERBE BECKET

Ellerbe Becket, Inc.
 4600 Madison Avenue
 Suite 1000
 Kansas City, MO 64112
 816.561.4443

© 2003 **Ellerbe Becket**

DETAILS - RF AND TELCO / DATA BOXES AND CONDUIT
 Scale AS SHOWN

Date 08.30.03 Comm. No. 1013.0002.00
 In Charge GLM RECORD DOCUMENTS
 Drawn By PMK
 Checked By TDL **AE905**

ABBREVIATIONS (ALL ABBREVIATIONS SHOWN ARE NOT NECESSARILY USED)	
A	L
A/C AIR CONDITIONING	LB LENGTH, LONG
ABV ABOVE	LF POUNDS
AC ALTERNATING CURRENT	LM LINEAR FEET
ACR AUDIO CASSETTE RECORDER	LF LIMITER
ADJ ADJUSTABLE	LL LINE LEVEL
ADR AUDIO DISC RECORDER	LRA LOCKED ROTOR AMPS
AFC ABOVE FINISHED CEILING	LTG LIGHTING
AFB ABOVE FINISHED FLOOR	
AFG ABOVE FINISHED GRADE	M
AMP AMPERES, AMPLIFIER	MATV MASTER ANTENNA TELEVISION
ANSI AMERICAN NATIONAL STANDARDS INSTITUTE	MAIN MAINTAINED
ARCH ARCHITECT, ARCHITECTURAL	MAX MAXIMUM
ASTM AMERICAN SOCIETY OF TESTING AND MATERIALS	MCC MOTOR CONTROL CENTER
ATR AUDIO TAPE RECORDER	MECH MECHANICAL
AUX AUXILIARY	MH METAL HALIDE
AWG AMERICAN WIRE GAUGE	MIC MICROPHONE
	MIN MINIMUM
	MIX MIXER
	MIX/AMP MIXER/AMPLIFIER
	ML MICROPHONE LEVEL
	MOD MODULATOR
	MON MONITOR
	MTD MOUNTED
	N
	NA NOT APPLICABLE
	NC NORMALLY CLOSED
	NEC NATIONAL ELECTRICAL CODE
	NEMA NATIONAL ELECTRICAL MANUFACTURERS ASSOCIATION
	NIC NOT IN CONTRACT
	NO NORMALLY OPEN
	NTS NOT TO SCALE
	O
	OC ON CENTER
	OD OUTSIDE DIAMETER
	OFE OWNER FURNISHED EQUIPMENT
	P
	PA PUBLIC ADDRESS, AUDIO POWER AMPLIFIER
	PDS PREMISE DISTRIBUTION SYSTEM
	PDM PROGRAM
	PH PHASE
	PNL PANEL
	PS POWER SUPPLY
	PSF POUNDS PER SQUARE FOOT
	PTZ PAN/TILT/ZOOM
	PVC POLYVINYL CHLORIDE
	PXM PICTURE MONITOR
	Q
	QTY QUANTITY
	R
	RCP REFLECTED CEILING PLAN, RADIO CONTROLLED PANEL
	RE: REFERENCE, REFER
	REINF REINFORCING
	REOD REQUIRED
	REV REVISION, REVISE
	RM ROOM
	RPM REVOLUTIONS PER MINUTE
	S
	S SURFACE
	S-VHS SUPER VHS
	SATV SATELLITE TELEVISION
	SF SQUARE FEET
	SHT SHEET
	SIM SIMILAR
	SL SIMILAR LEVEL
	SPEC SPECIFICATION
	SQ SQUARE
	STD STANDARD
	SURF SURFACE
	SUSP SUSPEND
	T
	THRU THROUGH
	TYP TYPICAL
	TV TELEVISION
	U
	UL UNDERWRITERS LABORATORIES, INC.
	UON UNLESS OTHERWISE NOTED
	UPS UNINTERRUPTIBLE POWER SUPPLY
	V
	VBS VIDEO BURST SYNC
	VCA VOLTAGE CONTROLLED AMPLIFIER
	VCP VIDEO CASSETTE PLAYER
	VCR VIDEO CASSETTE RECORDER
	VDA VIDEO DISTRIBUTION AMPLIFIER
	VECT VECTORSCOPE
	V VOLT
	VA VOLT-AMPERE
	VERT VERTICAL
	VHS VIDEO HOME SYSTEM
	W
	W WATT, WIDTH, WIDE
	WFM WAVEFORM MONITOR
	W/ WITH
	W/O WITHOUT
	WT WATERTIGHT, WEIGHT
	WVS WAVEFORM/VECTORSCOPE
	X
	XFMR TRANSFORMER
	XMT TRANSMITTER
	XVR CROSSOVER
	Y
	Y/C LUMA/CHROMA

SYMBOL	DESCRIPTION
	PATCH JACK
	NORMAL PATCH JACK
	TERMINATION RESISTOR
	CONTINUATION AROUND DEVICE
	CONTINUATION TO
	CONTINUATION FROM
	VIDEO DISTRIBUTION AMPLIFIER EQ - WITH EQUALIZATION D - WITH DELAY R - WITH REMOTE CONTROL
	AUDIO DISTRIBUTION AMPLIFIER
	CABLE WITH CONNECTOR FOR CONNECTION TO EQUIPMENT
	VIDEO SIGNAL LOOP-THRU (BRIDGED)
	VIDEO OR AUDIO ISOLATION TRANSFORMER
	OPTICAL TRANSMITTER
	OPTICAL RECEIVER
	OPTICAL SPLICE BOX

TV DISTRIBUTION LEGEND	
	PAD
	EQUALIZER-FIXED
	2 PORT TAP - SUBSCRIPT DENOTES TAP SERVICE VALUE INSIDE SYMBOL DENOTES ISOLATION VALUE OF TAP
	4 PORT TAP - SUBSCRIPT DENOTES TAP SERVICE VALUE INSIDE SYMBOL DENOTES ISOLATION VALUE OF TAP
	8 PORT TAP - SUBSCRIPT DENOTES TAP SERVICE VALUE INSIDE SYMBOL DENOTES ISOLATION VALUE OF TAP
	32 PORT TAP - VALUE INSIDE SYMBOL DENOTES ISOLATION VALUE OF TAP - SEE DETAIL
	DIRECTIONAL COUPLER - SUBSCRIPT DENOTES ISOLATION VALUE
	TWO PORT DIRECTIONAL COUPLER - SUBSCRIPT DENOTES ISOLATION VALUE
	TERMINATION
	SELF TERMINATION
	POWER BLOCKING TERMINATION
	POWER BLOCKING TERMINATION W/TEST POINT
	POWER STOP (SWITCH SETTING, FUSE REMOVAL, COIL CUT, INLINE POWER BLOCK)
	SPLITTER-2WAY
	UNBALANCED SPLITTER-3WAY
	BALANCED SPLITTER-3WAY
	BALANCED SPLITTER-4WAY
	BALANCED SPLITTER-8WAY
	NOTCH FILTER
	LOWPASS FILTER
	BAND PASS FILTER
	HIGH PASS FILTER
	BAND STOP FILTER
	BAND SPLIT/COMBINE
	DIPLEX FILTER
	POWER SUPPLY & POWER INSERTER B DENOTES BATTERY BACKUP
	SUPPLY# XX AMPS XXX XXX WATTS

TV DISTRIBUTION DEVICES	
	TV OUTLET - SURFACE MOUNTED BOX ON TRUSS OUTSIDE SUITE SEATING OR FLUSH ON CEILING ADJACENT TO TV MOUNTING PIPE BASE FOR SUSPENDED TV
	TV OUTLET - TYPE 1 BOX WALL MOUNTED AT STANDARD OUTLET HEIGHT. SUBSCRIPT DENOTES TAP CONNECTION (TYPICAL)
	TV OUTLET - TYPE 1 BOX MOUNTED IN MILLWORK
	TV OUTLET - TYPE 1 BOX WALL MOUNTED AT 96" AFF
	TV OUTLET - TYPE 1 BOX WALL MOUNTED 9" BFC. COORDINATE WITH MOUNT
	TV OUTLET - TYPE 1 BOX MOUNTED IN CONCESSION SIGNAGE
	TV OUTLET - TYPE 1 BOX WALL MOUNTED AT 66" AFF OC
	TV OUTLET - F81 CONNECTOR MOUNTED IN BROADCAST PANELS - PROVIDED BY OTHERS - REFER TO ELECTRICAL DRAWINGS (X) INDICATES QUANTITY, IF MORE THAN ONE
	TV/FM OUTLET - TYPE 1 BOX WALL MOUNTED AT STANDARD OUTLET HEIGHT
	TV/FM OUTLET - TYPE 1 BOX MOUNTED IN MILLWORK
	TV/FM OUTLET - TYPE 1 BOX WALL MOUNTED AT 96" AFF
	TV/FM OUTLET - TYPE 1 BOX WALL MOUNTED 9" BFC. COORDINATE WITH MOUNT
	TV/FM OUTLET - TYPE 1 BOX MOUNTED IN CONCESSION SIGNAGE
	TV/FM OUTLET - TYPE 1 BOX MOUNTED AT 66" AFF OC
	TV/FM OUTLET - (2) F81 CONNECTORS MOUNTED IN BROADCAST PANELS - PROVIDED BY OTHERS - REFER TO ELECTRICAL DRAWINGS (X) INDICATES QUANTITY, IF MORE THAN ONE

NOTES	
1.	SYMBOLS PERTAIN TO "CATV" SERIES SHEETS
2.	PROVIDE AND INSTALL ALL DROP CABLES SHOWN BY TV OR TVI. REFER TO "AE" SHEETS FOR LOCATIONS AND CONDUIT.
3.	PROVIDE FIRE STOPPED SLEEVES THROUGH ALL RATED PARTITIONS.

SHEET INDEX	
CA000	CATV - ABBREVIATIONS, LEGEND, NOTES & SHEET INDEX
CA101	CATV - HEADEND VIDEO & RF BLOCK DIAGRAM
CA102	CATV - HEADEND VIDEO & RF BLOCK DIAGRAM (CONT.)
CA111	CATV - HEADEND AUDIO BLOCK DIAGRAM
CA121	CATV - HEADEND CONTROL BLOCK DIAGRAM
CA201	CATV - HEADEND DETAILS
CA202	CATV - DISTRIBUTION DETAILS
CA301	CATV - RF DISTRIBUTION BLOCK DIAGRAM
CA302	CATV - RF DISTRIBUTION BLOCK DIAGRAM (CONT.)
CA401	CATV - RF CONDUIT RISER DIAGRAM
CA402	CATV - RF CONDUIT RISER DIAGRAM (CONT.)

THE STADIUM AT RENTSCHLER FIELD

Owner
State of Connecticut

Architect
Ellerbe Becket, Inc.
605 West 47th Street, Suite 200
Kansas City, MO 64112-1905
Telephone: 816.561.4443
Facsimile: 816.561.2963

Landscaping Design
CR3
371 Hippodrome Street
Stamford, CT 06907
Telephone: 860.482.1200
Facsimile: 860.482.1217

Structural Engineering
BVH Integrated Services
30 Griffin Road South
Bloomfield, CT 06002
Telephone: 860.286.9171
Facsimile: 860.242.0236

Roof Service
The Bigelow Companies
175 Industrial Avenue, Suite 156
Kansas City, MO 64116
Telephone: 816.482.5533
Facsimile: 816.482.5910

Mechanical/Electrical Engineering
DTC
556 Washington Ave
North Haven, CT 06457
Telephone: 203.234.4000
Facsimile: 203.234.7276

Geotechnical
GZA GeoEnvironmental
27 Main Road
Hartford, CT 06106
Telephone: 860.875.7655
Facsimile: 860.872.2416

Old Engineering/Facility
Fuss & O'Neill
146 Hartford Street
Meriden, CT 06040-0921
Telephone: 860.486.2469
Facsimile: 860.693.6313

Security
SafeSecure Network
New Milford, CT 06776
Telephone: 860.354.7020
Facsimile: 860.354.7020

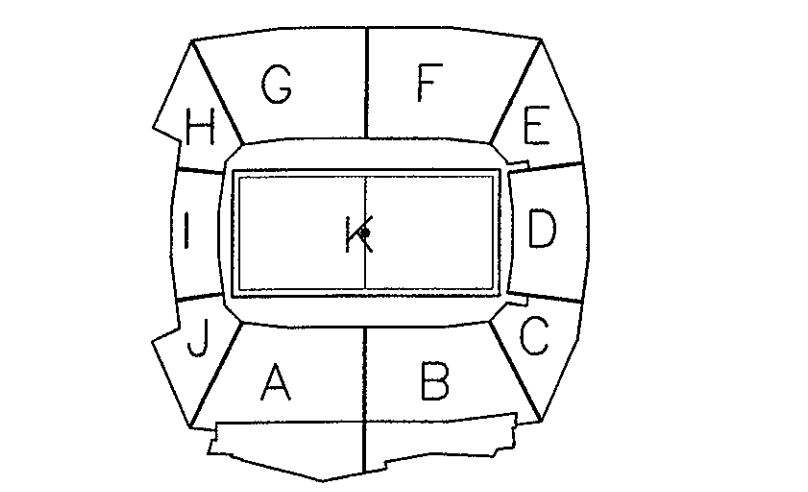
Code Book
F P & C Consultants, Inc.
3233 West Parkway, Suite 225
Kansas City, MO 64114
Telephone: 816.523.3777
Facsimile: 816.523.8256

Vertical Circulation
Syska & Hennessy
One Broadway, 30th Floor
Cambridge, MA 02142
Telephone: 617.577.9900
Facsimile: 617.577.9191

Architectural
Pelton Marsh Kinsella
1400 W. Washington Lane, Suite 400
Dallas, TX 75247-4951
Telephone: 214.698.7444
Facsimile: 214.951.7400

Sports Turf
MST
1809 W. 96th Avenue
Urbana, IL 61802-4802
Telephone: 308.730.1448
Facsimile: 308.730.2627

THESE RECORD DOCUMENTS HAVE BEEN PREPARED BASED ON INFORMATION SUPPLIED TO THE ARCHITECT/ENGINEER BY OTHERS. THE ARCHITECT/ENGINEER HAS NOT INDEPENDENTLY VERIFIED THE INFORMATION AND DISCLAIMS RESPONSIBILITY FOR THE ACCURACY AND COMPLETENESS THEREOF. THESE DRAWINGS ARE FOR REFERENCE ONLY AND ARE NOT TO BE USED FOR CONSTRUCTION WITHOUT DRAWINGS AND CALCULATIONS SPECIFICALLY PREPARED FOR ANY INTENDED ADDITIONAL WORK.



ELLERBE BECKET

4600 Madison Avenue
Suite 1000
Kansas City, MO 64112
816.561.4443

Ellerbe Becket, Inc.

© 2003 Ellerbe Becket

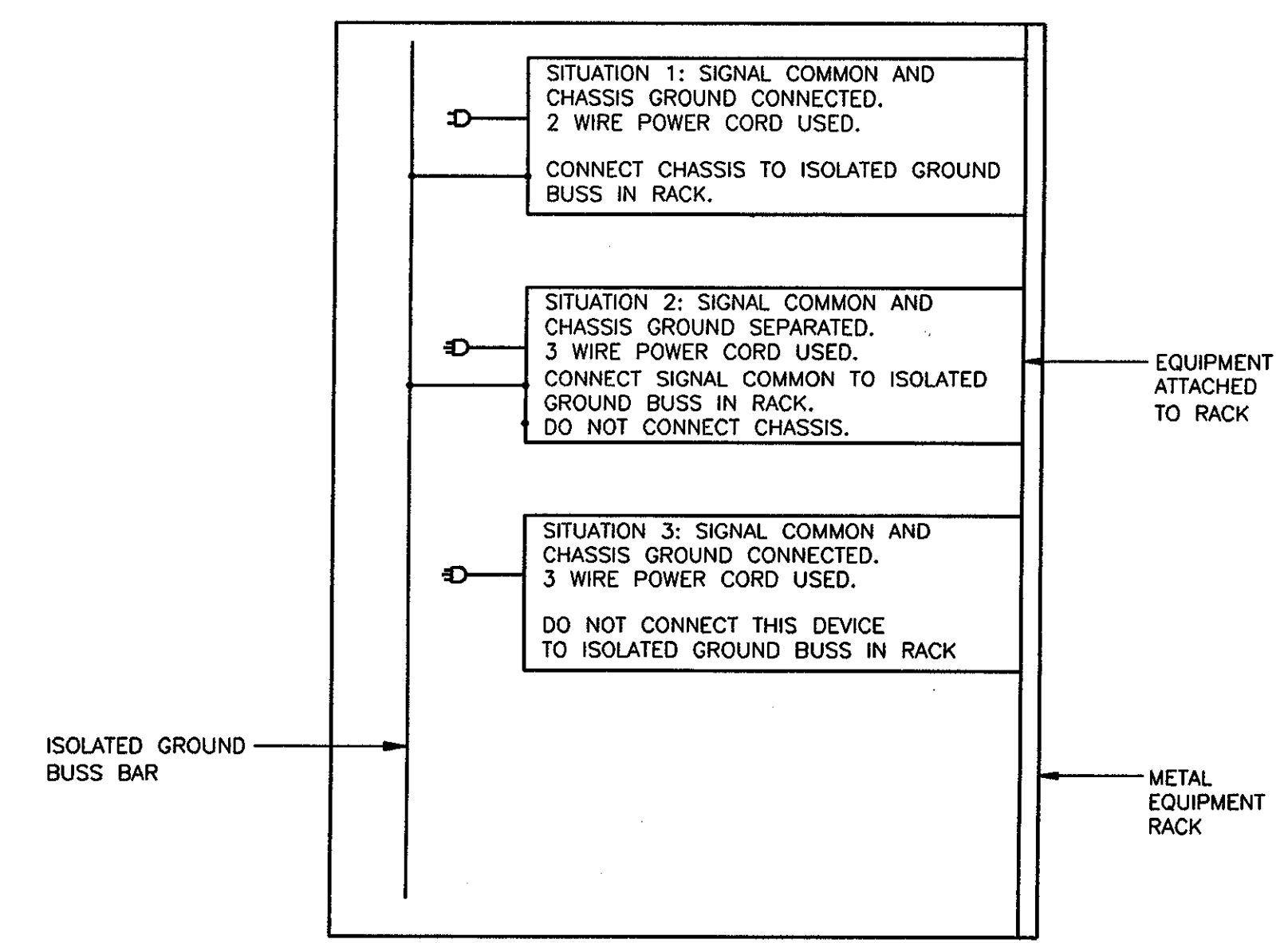
CATV SYSTEM ABBREVIATIONS, LEGEND NOTES, & SHEET INDEX
Scale AS SHOWN

Date 08.30.03 Comm. No. 1013.0002.00
In Charge GLM RECORD DOCUMENTS
Drawn By PMK
Checked By TDL

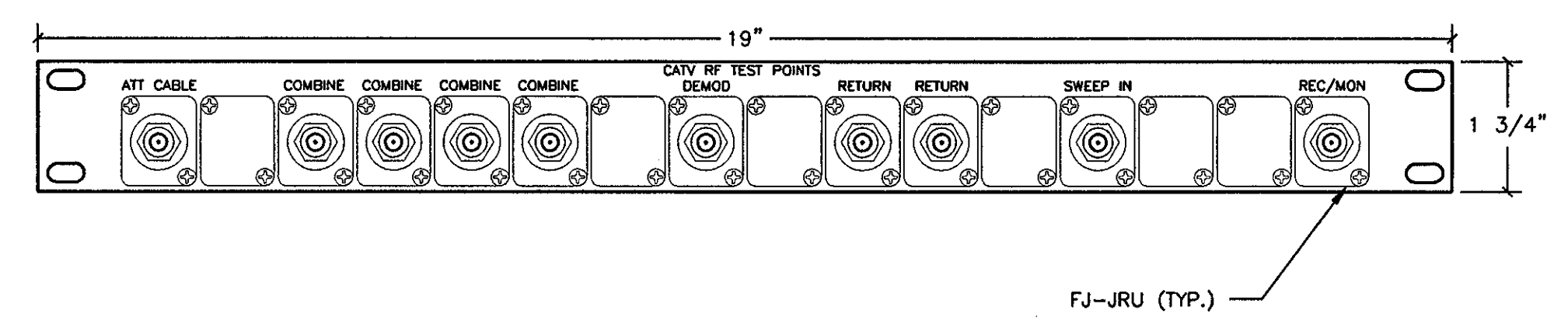
CA000

VENT	VENT	VENT	VENT
COMBINER	OSB	COMBINER	COMBINER
COMBINER		COMBINER	COMBINER
CONV 1	FRX	MOD 1	MOD 19
CONV 2	BLANK	MOD 2	MOD 20
CONV 3	POST AMP	MOD 3	MOD 21
CONV 4	BLANK	MOD 4	MOD 22
CONV 5	TOUCH PANEL	MOD 5	MOD 23
CONV 6		MOD 6	MOD 24
CONV 7	REC/MON	MOD 7	FM MOD 1
CONV 8		MOD 8	FM MOD 2
CONV 9	BLANK	MOD 9	FM MOD 3
CONV 10	CG ON	MOD 10	FM MOD 4(FUTURE)
CONV 11	PULL OUT SHELF	MOD 11	FM MOD 5(FUTURE)
CONV 12	BLANK	MOD 12	FM MOD 6(FUTURE)
CONV 12	VIDEO PATCH	MOD 13	VENT
BLANK	AUDIO PATCH	MOD 14	POST AMP
DSS-1	DEMODULATOR	MOD 15	POST AMP
DSS-2	BLANK	MOD 16	POST AMP(FUTURE)
DSS-2	RF TEST POINTS	MOD 17	VENT
BLANK	BLANK	MOD 18	DIPEXER
TSG BAR/TONE	SW-1 (VIDEO)	MOD 19	DIPEXER
BLANK	BLANK	MOD 20	DIPEXER
CONTROL	SW-1 (AUDIO)	MOD 21	DIPEXER
CONTROL	BLANK	MOD 22	BLANK
VENT	VENT	MOD 23	BLANK
1	2	3	4

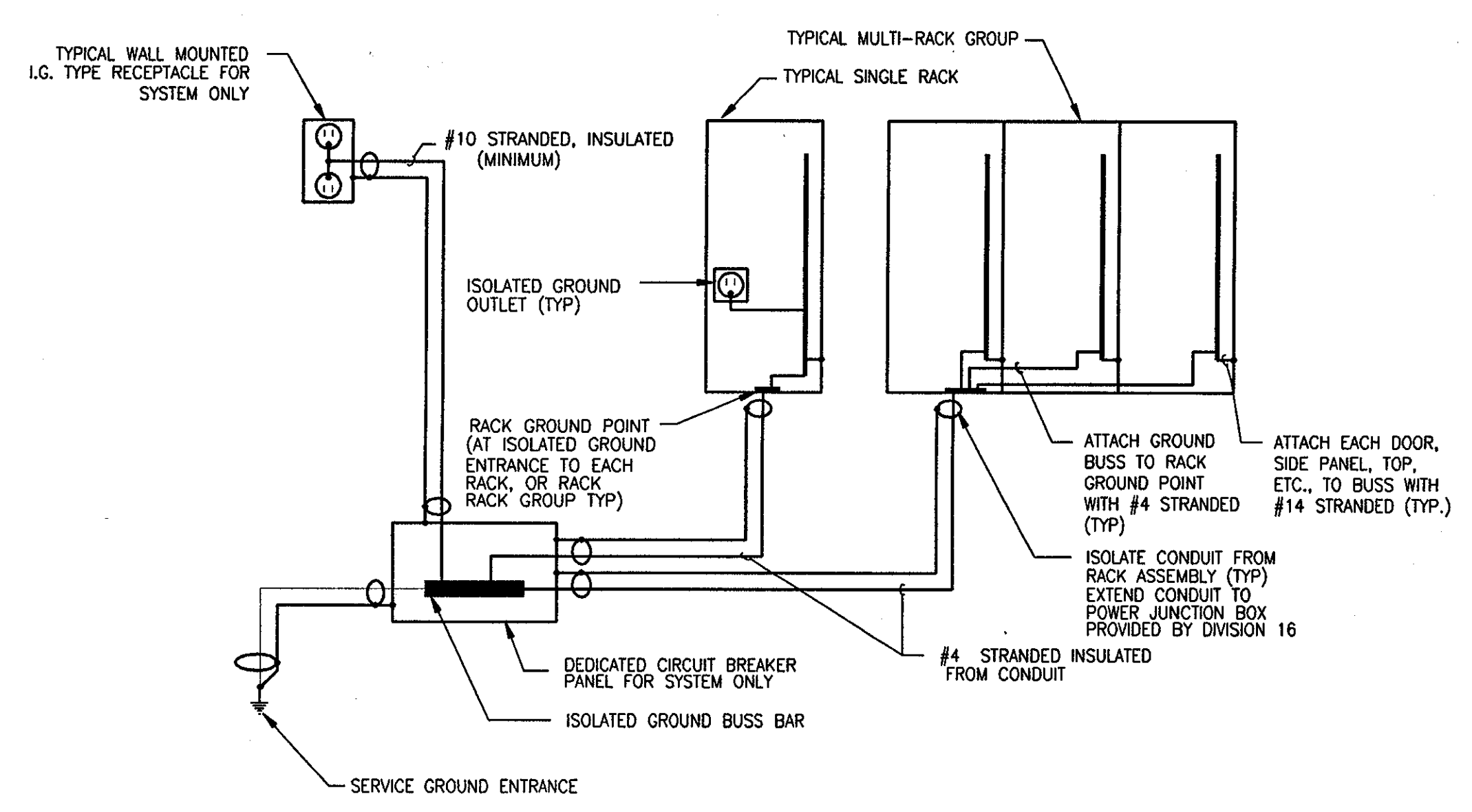
1 RACK ELEVATION - CATV HEAD END
CA201 SCALE: 1" = 1' - 0"



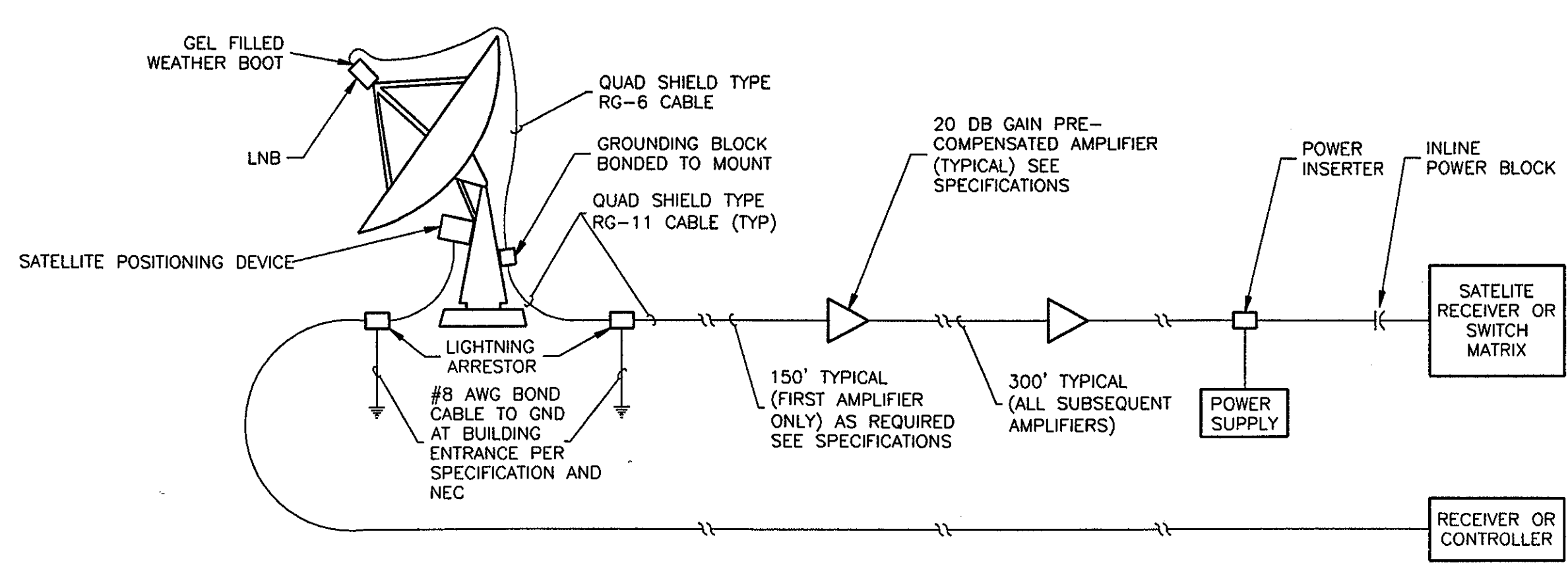
2 DETAIL - EQUIPMENT GROUNDING
CA201 SCALE: NONE



3 TEST POINT PANEL
CA201 SCALE: 1/2"=1'



4 DETAIL - RACK GROUND
CA201 SCALE: NONE



5 DETAIL - TYPICAL SATELLITE CABLING REQUIREMENTS
CA201 NO SCALE

- NOTES - GENERAL**
- PROVIDE TEST POINT PANEL WITH CAPTIVE TERMINATORS ON CHAINS ATTACHED TO TEST POINT CONNECTORS.
 - PROVIDE BLANK RACK PANELS FOR FUTURE DEVICES.
 - RACK 2 FOR EIA 24" PANELS

- NOTES - CUSTOM PANELS**
- ALL PANELS SHALL BE 3/16" ALUMINUM, WITH MILLED EDGES, UNLESS OTHERWISE NOTED. CLEAN AND DEGRADE. BRUSHED BLACK ANODIZE FINISH (BRUSHED IN DIRECTION OF GRAIN ONLY).
 - MILL BACK OF PANEL TO REDUCE THICKNESS, IF REQUIRED TO MOUNT CERTAIN CONNECTORS.
 - DRILL AND TAP ALL CONNECTOR MOUNTING SCREW HOLES TO ACCOMMODATE MANUFACTURER'S RECOMMENDED MOUNTING SCREWS. DO NOT USE NUTS BEHIND PANEL TO MOUNT CONNECTORS.
 - COUNTERSINK HOLES FOR PANEL MOUNTING SCREWS. VERIFY MOUNTING SCREW LOCATIONS AGAINST ACTUAL BOXES INSTALLED.
 - ALL PANELS SHALL BE MILLED, AND DRILLED & TAPPED FOR FULL COMPLEMENT OF CONNECTORS. COVER UNUSED HOLES WITH PLASTIC BLANKS, AND SUPPLY MOUNTING HARDWARE FOR ALL CONNECTOR POSITIONS.
 - CONNECTOR QUANTITIES AS SHOWN ON INDIVIDUAL DETAILS.
 - FILL UNUSED SPACE IN ENCLOSURE WITH BLACK ALUMINUM BLANK PANELS OF EQUAL THICKNESS AND STYLE.

Owner
State of Connecticut

Architecture
Ellerbe Becket, Inc.
605 West 47th Street, Suite 200
Kansas City, MO 64112-1885
Telephone: 816.561.4443
Facsimile: 816.561.2863

Landscape Design
CR3
571 Highland Street
Stamford, CT 06907
Telephone: 860.658.1988
Facsimile: 860.658.1217

Structural Engineering
BVH Integrated Services
50 Griffin Road South
Bloomfield, CT 06002
Telephone: 860.286.9171
Facsimile: 860.242.8256

Food Service
The Bigelow Companies
1575 Universal Avenue, Suite 155
Kansas City, MO 64120
Telephone: 816.468.5333
Facsimile: 816.468.5510

Mechanical/Electrical Engineering
DTC
205 Washington Ave
North Haven, CT 06460
Telephone: 203.228.4200
Facsimile: 203.224.7576

Chemical
GZA GeoEnvironmental
27 Hook Road
Weston, CT 06896
Telephone: 860.875.7655
Facsimile: 860.872.3416

Civil Engineering/Staff
Fuss & O'Neill
146 Hartford Road
Manchester, CT 06040-0921
Telephone: 860.646.2400
Facsimile: 860.643.6713

Survey
Safesecure Network
17 E Rock Road
New Milford, CT 06776
Telephone: 860.356.7020
Facsimile: 860.354.7020

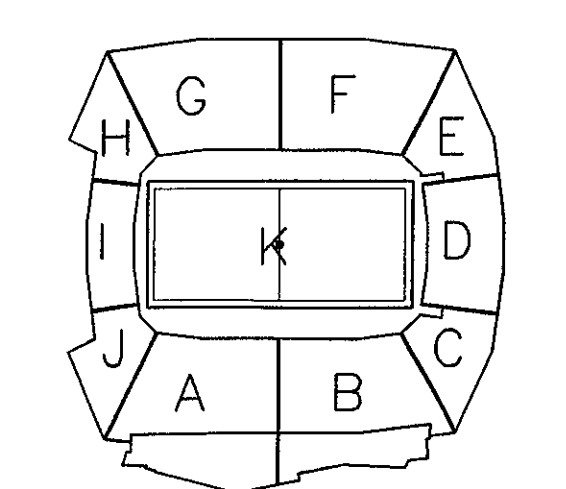
Code Analysis
F & C Consultants, Inc.
9233 Wood Parkway, Suite 225
Overland Park, MO 66114
Telephone: 816.523.3377
Facsimile: 816.523.8256

Vertical Circulation
Syska & Hennessey
One Broadway, 9th Floor
Cambridge, MA 02142
Telephone: 617.571.9900
Facsimile: 617.571.9191

Architectural
Pelton Marsh Kinsella
1420 W. Macdonald Lane, Suite 400
Dallas, TX 75247-4951
Telephone: 214.688.2444
Facsimile: 214.651.7408

Structural
MST
1803 W. 84th Avenue
Urbana, CO 81302-4402
Telephone: 303.738.1440
Facsimile: 303.738.1527

THESE RECORD DOCUMENTS HAVE BEEN PREPARED BASED ON INFORMATION SUPPLIED TO THE ARCHITECT/ENGINEER BY OTHERS. THE ARCHITECT/ENGINEER HAS NOT INDEPENDENTLY VERIFIED THE INFORMATION AND DISCLAIMS RESPONSIBILITY FOR THE ACCURACY AND COMPLETENESS THEREOF. THESE DRAWINGS ARE FOR REFERENCE ONLY AND ARE NOT TO BE USED FOR CONSTRUCTION WITHOUT DRAWINGS AND CALCULATIONS SPECIFICALLY PREPARED FOR ANY INTENDED ADDITIONAL WORK.



ELLERBE BECKET

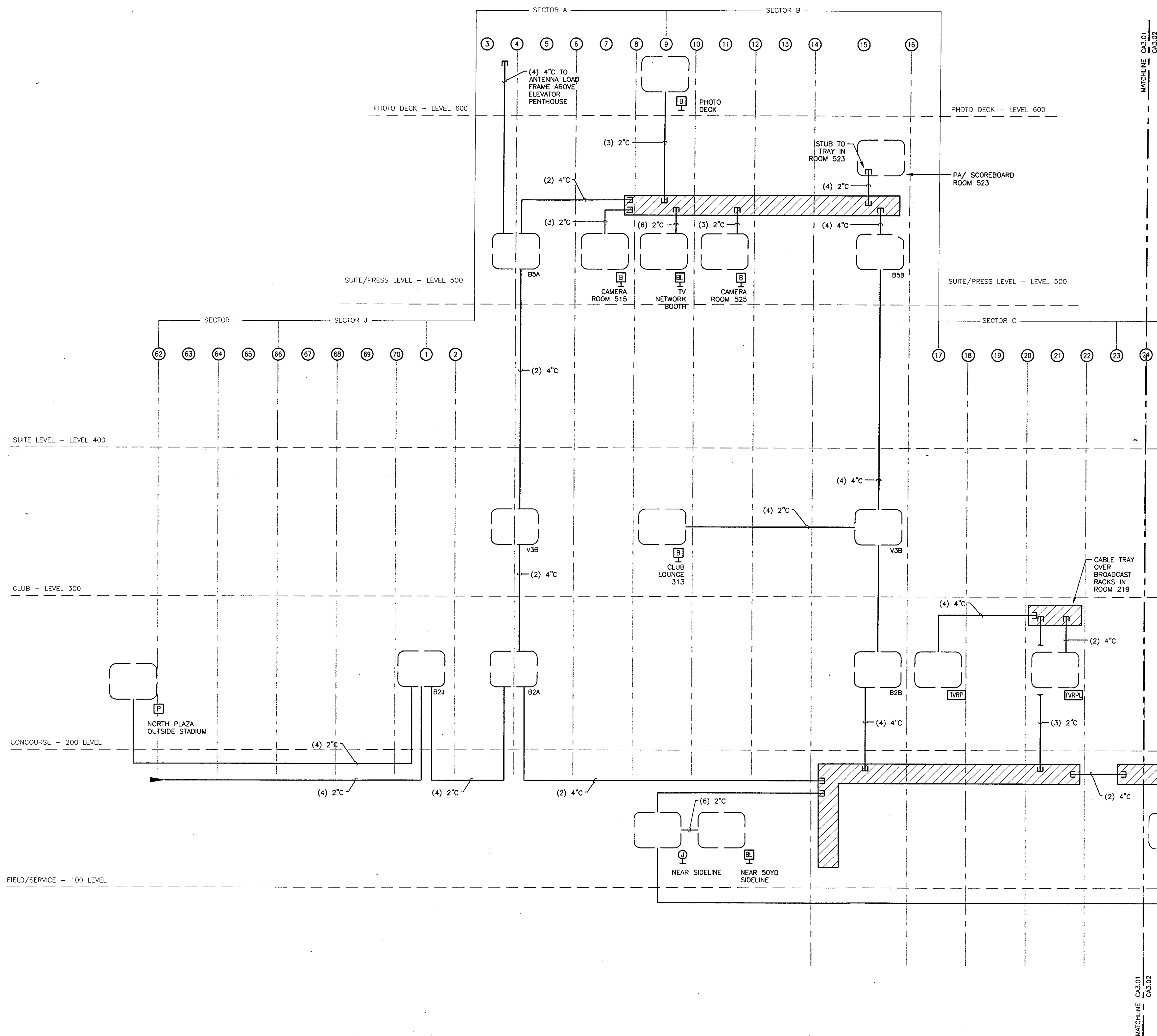
4600 Madison Avenue
Suite 1000
Kansas City, MO 64112
816.561.4443

Ellerbe Becket, Inc.

© 2003 Ellerbe Becket

CATV SYSTEM RACK ELEVATION AND DETAILS
Scale AS SHOWN

Date 08.30.03 Comm. No. 1013.0002.00
In Charge GLM RECORD DOCUMENTS
Drawn By PMK
Checked By TDL CA201



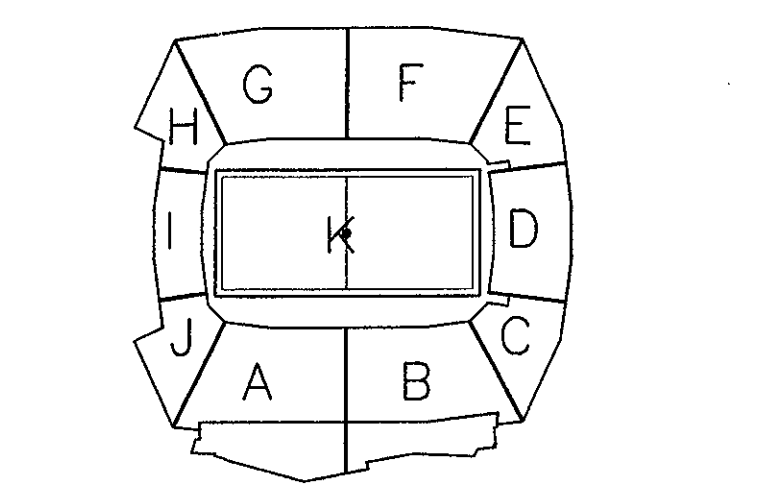
1 BROADCAST PREWIRE - CONDUIT RISER
 TV201 NO SCALE

NOTE: THIS SHEET SHOWN FOR COORDINATION. CONDUIT, DEVICES AND INSTALLATION PROVIDED BY DIVISION 16. CONDUIT SHALL BE BUILT FROM INDIVIDUAL PLAN SHEETS AND NOT RISERS.

THE STADIUM AT RENTSCHLER FIELD

- State of Connecticut
 Architecture
Ellerbe Becket, Inc.
 602 West 47th Street, Suite 200
 Kansas City, MO 64112-1905
 Telephone: 816.561.4443
 Facsimile: 816.561.2653
- Interior Design
CR3
 371 Hopewell Street
 Simsbury, CT 06097
 Telephone: 860.658.1989
 Facsimile: 860.658.1217
- Structural Engineering
BVH Integrated Services
 50 Gilpin Road South
 Round Hill, CT 06092
 Telephone: 860.285.9171
 Facsimile: 860.242.0256
- Food Service
The Bigelow Companies
 1575 Universal Avenue, Suite 150
 Kansas City, MO 64120
 Telephone: 816.483.5553
 Facsimile: 816.483.5510
- Mechanical/Electrical Engineering
DTC
 556 Washington Ave
 North Haven, CT 06467
 Telephone: 203.238.4200
 Facsimile: 203.234.7376
- Geotechnical
GZA GeoEnvironmental
 27 Hank Road
 Vernon, CT 06066
 Telephone: 860.873.9885
 Facsimile: 860.872.2416
- Old Engineering/Trade
Fuss & O'Neill
 140 Norfolk Road
 Meriden, CT 06040-9821
 Telephone: 860.682.2489
 Facsimile: 860.640.6919
- Security
Safesecure Network
 New Milford, CT 06076
 Telephone: 860.354.7020
 Facsimile: 860.354.7020
- Code Analysis
F P & C Consultants, Inc.
 8239 Ward Parkway, Suite 225
 Kansas City, MO 64114
 Telephone: 816.523.3377
 Facsimile: 816.523.8256
- Vertical Circulation
Syska & Hennessy
 Old Building, 9th Floor
 Cambridge, MA 02142
 Telephone: 617.371.9000
 Facsimile: 617.571.9191
- Audio/Visual
Pelton Marsh Kinsella
 1402 W. McDougall Lane, Suite 400
 Dallas, TX 75247-4951
 Telephone: 214.685.7444
 Facsimile: 214.951.7468
- Sports Turf
MST
 1889 W. 64th Avenue
 Littleton, CO 80120-4402
 Telephone: 303.736.1440
 Facsimile: 303.736.2627

THESE RECORD DOCUMENTS HAVE BEEN PREPARED BASED ON INFORMATION SUPPLIED TO THE ARCHITECT/ENGINEER BY OTHERS. THE ARCHITECT/ENGINEER HAS NOT INDEPENDENTLY VERIFIED THE INFORMATION AND DISCLAIMS RESPONSIBILITY FOR THE ACCURACY AND COMPLETENESS THEREOF. THESE DRAWINGS ARE FOR REFERENCE ONLY AND ARE NOT TO BE USED FOR CONSTRUCTION WITHOUT DRAWINGS AND CALCULATIONS SPECIFICALLY PREPARED FOR ANY INTENDED ADDITIONAL WORK.



ELLERBE BECKET



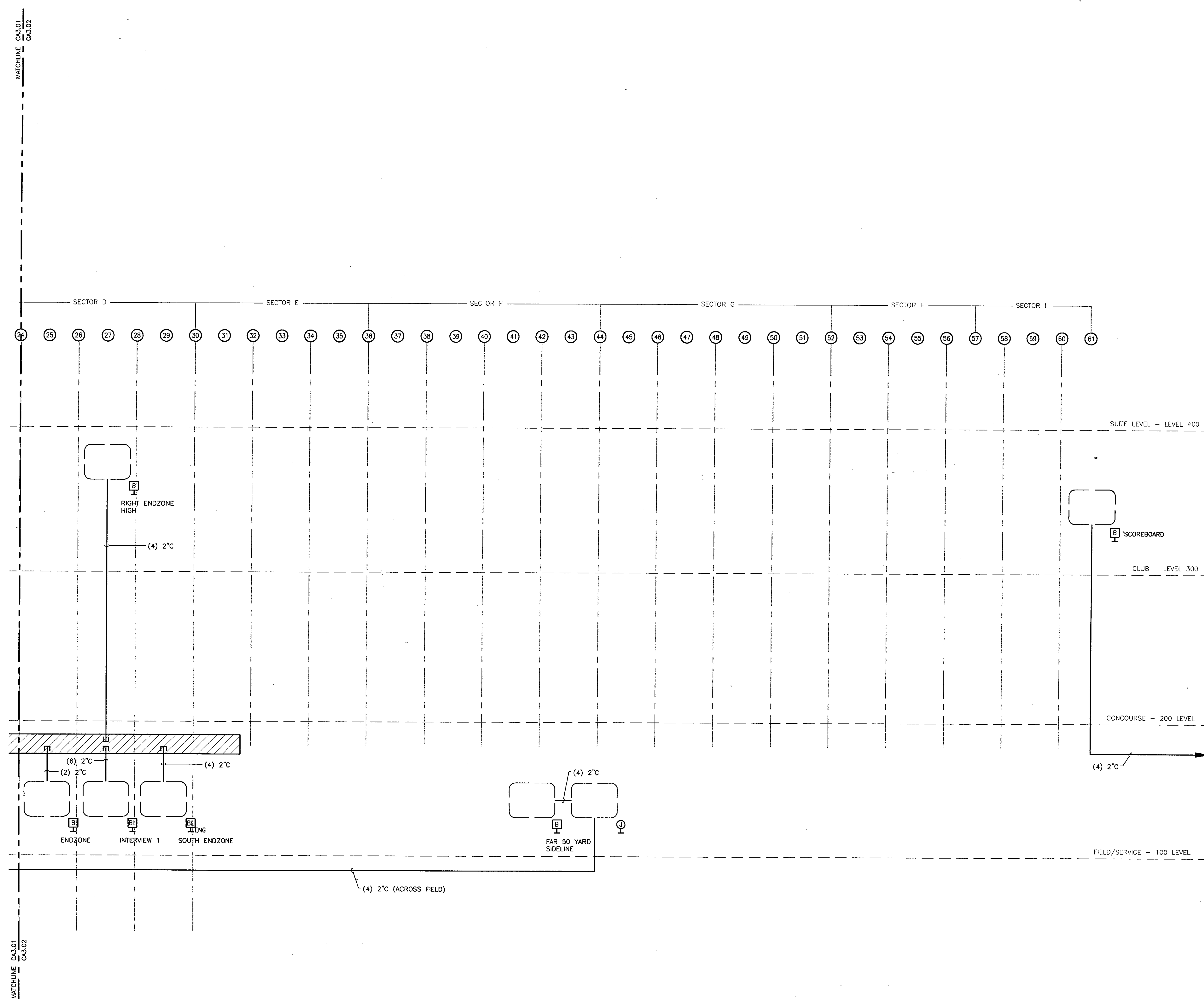
4600 Madison Avenue
 Suite 1000
 Kansas City, MO 64112
 816 561 4443

© 2003 Ellerbe Becket

BROADCAST PREWIRE CONDUIT RISER DIAGRAM
 Scale AS SHOWN

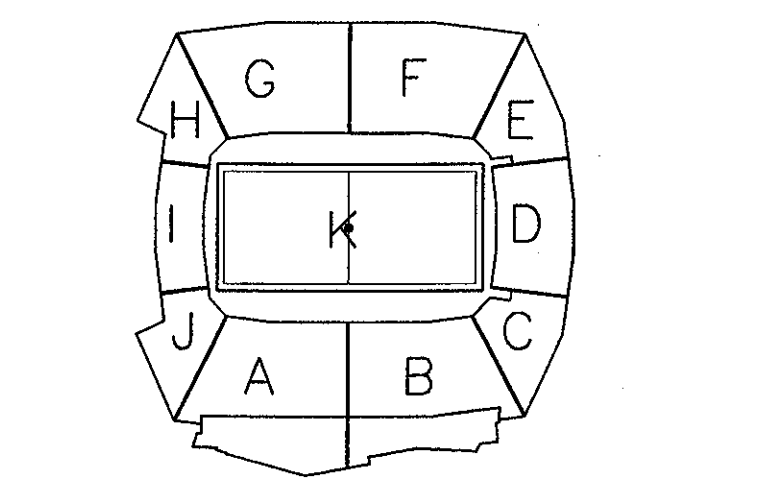
Date 08.30.03 Comm. No. 1013.0002.00
 In Charge GLM RECORD DOCUMENTS
 Drawn By PMK
 Checked By TDL **TV201**

THE STADIUM AT RENTSCHLER FIELD



- Owner
State of Connecticut
- Architecture
Ellerbe Becket, Inc.
805 West 47th Street, Suite 200
Kansas City, MO 64112-1002
Telephone: 816.561.4443
Facsimile: 816.561.2863
- Landscape Design
CR3
571 Hagerman Street
Shelton, CT 06489
Telephone: 860.658.1988
Facsimile: 860.658.1217
- Structural Engineering
BVH Integrated Services
50 Griffin Road South
Woodfield, CT 06090
Telephone: 860.226.8771
Facsimile: 860.242.0235
- Mechanical/Electrical Engineering
DTC
350 Washington Ave
North Haven, CT 06473
Telephone: 203.228.4200
Facsimile: 203.224.7276
- Civil Engineering/Traffic
Fuss & O'Neill
146 Hartford Road
Meriden, CT 06040-9821
Telephone: 860.662.2469
Facsimile: 860.662.8113
- Code Analysis
F.P. & C. Consultants, Inc.
5023 West Kellogg, Suite 225
Kansas City, MO 64114
Telephone: 816.523.3377
Facsimile: 816.523.8226
- Audio/Visual
Petton Marsh Kinsella
1400 W. McDougall Lane, Suite 400
Dallas, TX 75247-4951
Telephone: 214.682.2444
Facsimile: 214.951.7408
- Interior Design
The Bigelow Companies
1575 Universal Avenue, Suite 155
Kansas City, MO 64128
Telephone: 816.483.5223
Facsimile: 816.483.5510
- Geotechnical
GZA GeoEnvironmental
27 North Road
Vernon, CT 06066
Telephone: 860.875.7655
Facsimile: 860.872.2416
- Security
Safesecure Network
17 E Rock Rock Road
New Britain, CT 06076
Telephone: 860.354.3020
Facsimile: 860.354.7020
- Vertical Circulation
Syska & Hennessy
Old Building, 9th Floor
Cambridge, MA 02142
Telephone: 617.577.8900
Facsimile: 617.577.9191
- Sports Turf
MST
1833 W. Kettle Avenue
Urbana, CO 80132-4402
Telephone: 303.738.1440
Facsimile: 303.738.2527

THESE RECORD DOCUMENTS HAVE BEEN PREPARED BASED ON INFORMATION SUPPLIED TO THE ARCHITECT/ENGINEER BY OTHERS. THE ARCHITECT/ENGINEER HAS NOT INDEPENDENTLY VERIFIED THE INFORMATION AND DISCLAIMS RESPONSIBILITY FOR THE ACCURACY AND COMPLETENESS THEREOF. THESE DRAWINGS ARE FOR REFERENCE ONLY AND ARE NOT TO BE USED FOR CONSTRUCTION WITHOUT DRAWINGS AND CALCULATIONS SPECIFICALLY PREPARED FOR ANY INTENDED ADDITIONAL WORK.



ELLERBE BECKET

4600 Madison Avenue
Suite 1000
Kansas City, MO 64112
816 561 4443

Ellerbe Becket, Inc.

© 2003 Ellerbe Becket

BROADCAST PREWIRE
CONDUIT RISER
DIAGRAM (CONTINUED)
Scale AS SHOWN

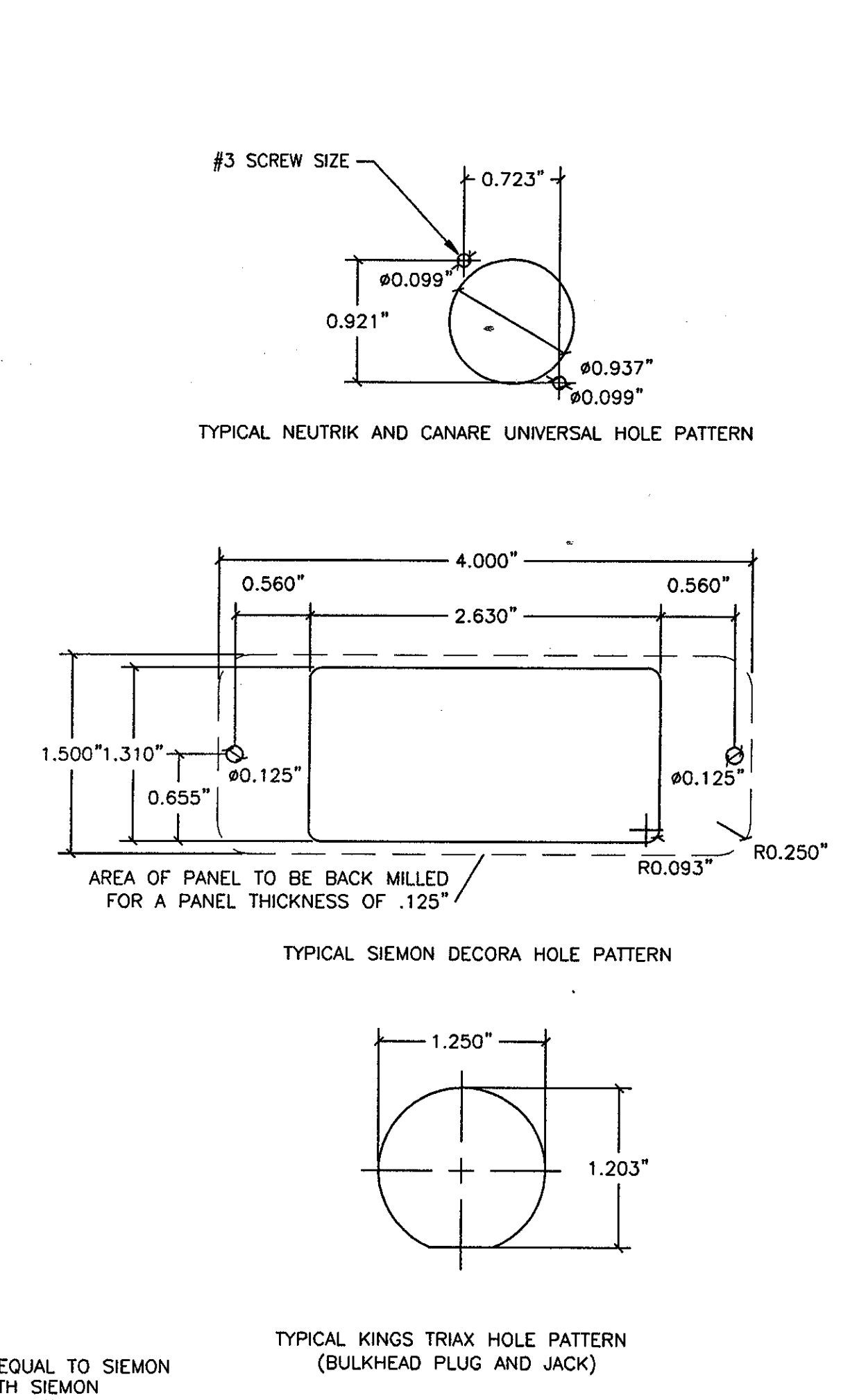
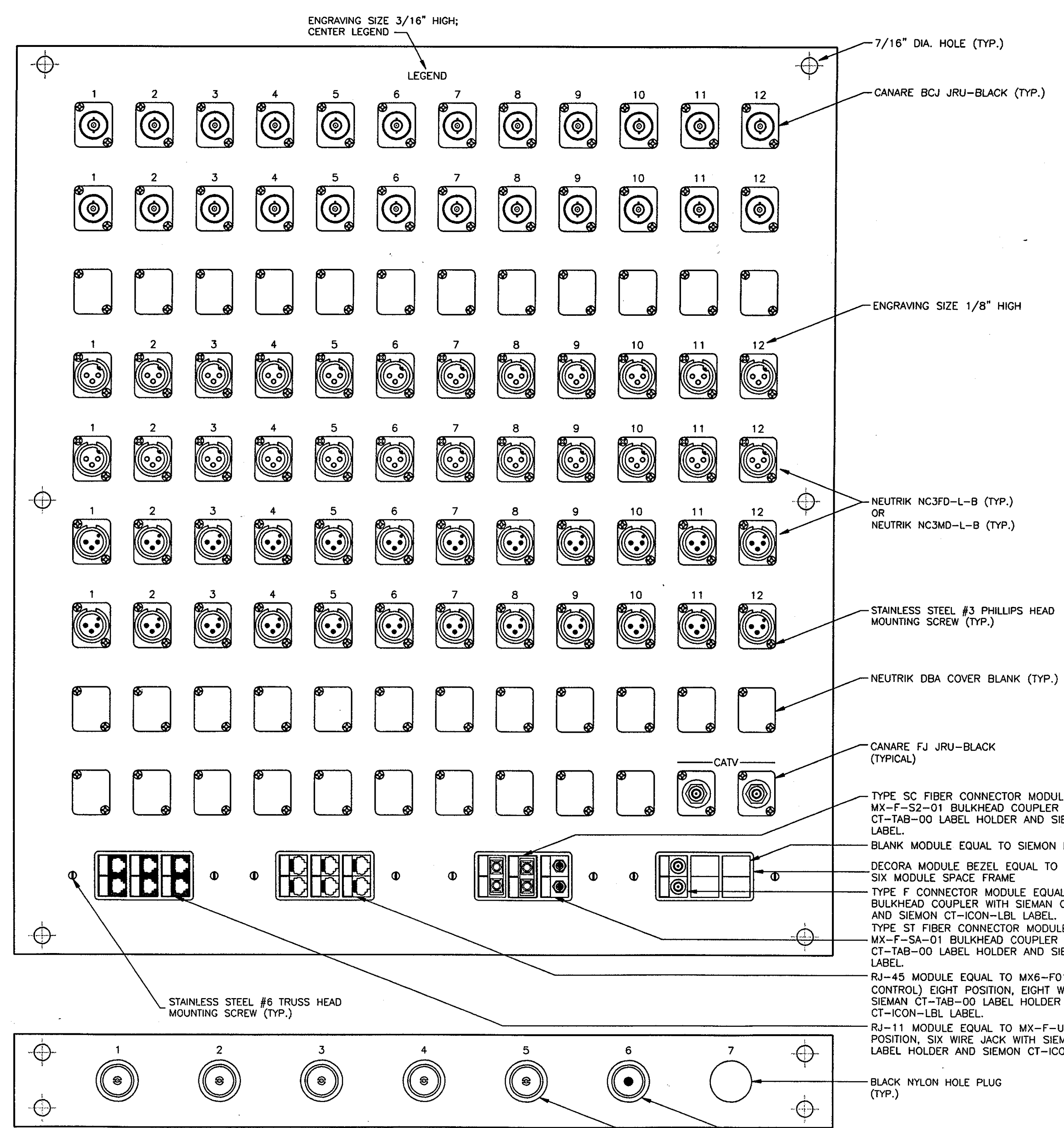
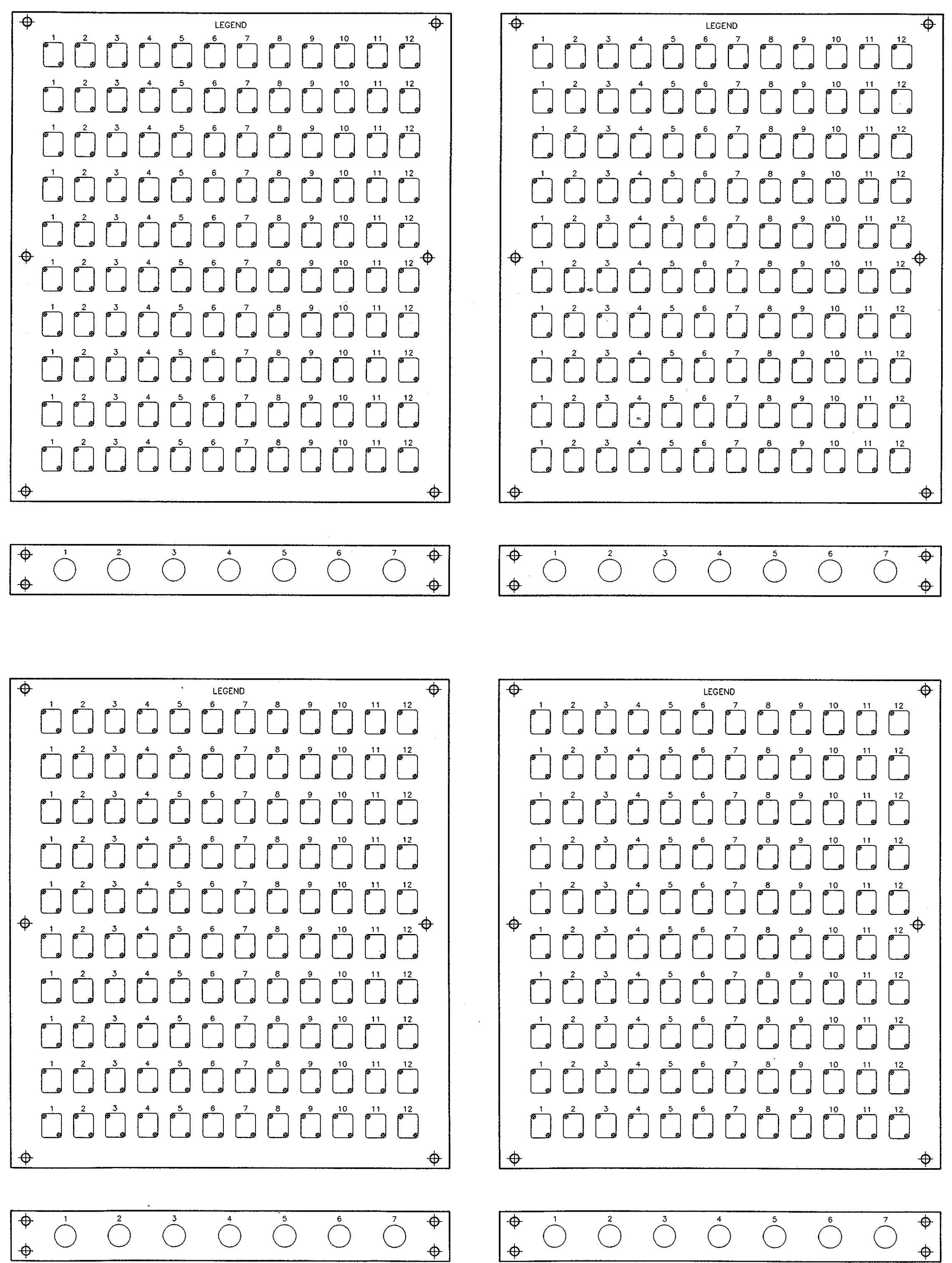
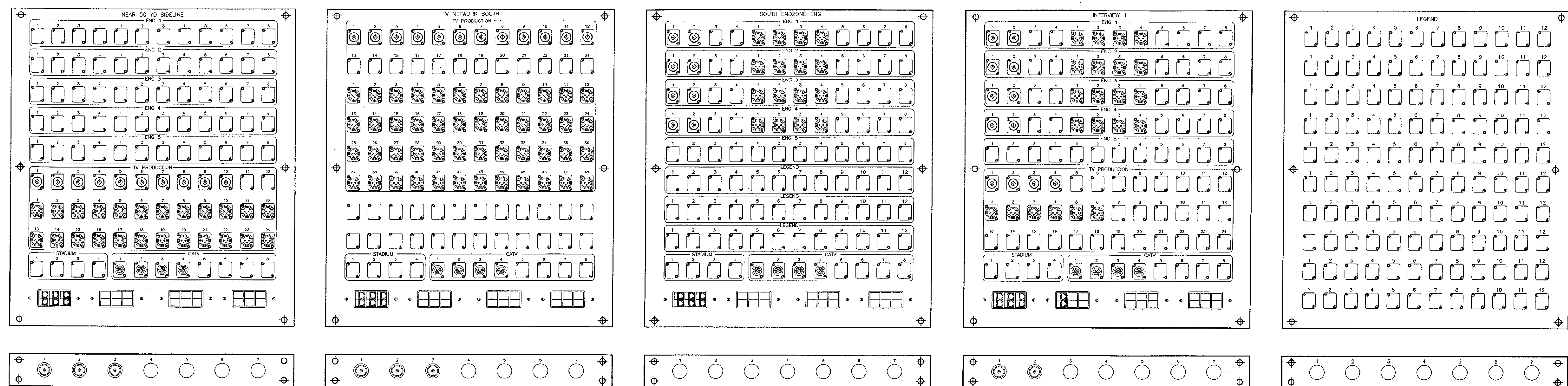
Date 08.30.03 Comm. No. 1013.0002.00
In Charge GLM RECORD DOCUMENTS
Drawn By PMK
Checked By TDL

TV202

1 BROADCAST PREWIRE - CONDUIT RISER (CONT)
TV202 NO SCALE

NOTE: THIS SHEET SHOWN FOR COORDINATION. CONDUIT, DEVICES AND INSTALLATION PROVIDED BY DIVISION IS. CONDUIT SHALL BE BUILT FROM INDIVIDUAL PLAN SHEETS AND NOT RISERS.

01/11/2003 11:13:04 AM
C:\PROJECTS\STADIUM\TV202.dwg
PLT
PLOT



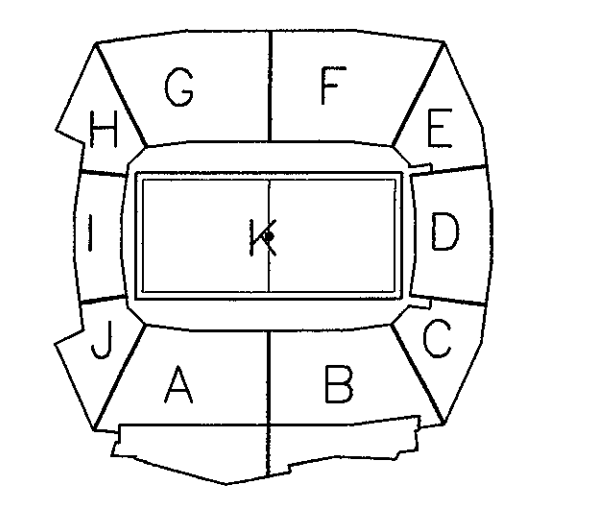
- NOTES: CUSTOM PANELS
- ALL PANELS SHALL BE 3/16" ALUMINUM, WITH MILLED EDGES, UNLESS OTHERWISE NOTED. CLEAN AND DEGREASE. BRUSHED BLACK ANODIZE FINISH (BRUSHED IN DIRECTION OF GRAIN ONLY).
 - MILL BACK OF PANEL TO REDUCE THICKNESS, IF REQUIRED TO MOUNT CERTAIN CONNECTORS.
 - DRILL AND TAP ALL CONNECTOR MOUNTING SCREW HOLES TO ACCOMMODATE MANUFACTURER'S RECOMMENDED MOUNTING SCREWS. DO NOT USE NUTS BEHIND PANEL TO MOUNT CONNECTORS.
 - COUNTERSINK HOLES FOR PANEL MOUNTING SCREWS. VERIFY MOUNTING SCREW LOCATIONS AGAINST ACTUAL BOXES INSTALLED.
 - ALL PANELS SHALL BE MILLED, AND DRILLED & TAPPED FOR FULL COMPLIMENT OF CONNECTORS. COVER UNUSED HOLES WITH PLASTIC BLANKS, AND SUPPLY MOUNTING HARDWARE FOR ALL CONNECTOR POSITIONS.
 - CONNECTOR QUANTITIES AND ENGRAVING AS SHOWN ON INDIVIDUAL DETAILS.

1 DETAIL - LARGE BROADCAST PANEL
TV301 SCALE: 1/2"=1'-0"

THE STADIUM AT RENTSCHLER FIELD

- State of Connecticut
- Ellerbe Becket, Inc.**
629 West 47th Street, Suite 200
Kansas City, MO 64112-1895
Telephone: 816.961.4443
Facsimile: 816.961.2863
- Landmark Design**
CR3
571 Independence Street
Simsbury, CT 06070
Telephone: 860.626.1988
Facsimile: 860.626.1277
- BVH Integrated Services**
50 Griffin Road South
Bloomfield, CT 06002
Telephone: 860.286.9171
Facsimile: 860.242.0236
- The Bigelow Companies**
1575 Universal Avenue, Suite 156
Farmington, CT 06030
Telephone: 816.483.5533
Facsimile: 816.483.5510
- DTC**
555 Washington Ave
North Haven, CT 06473
Telephone: 203.239.4200
Facsimile: 203.234.7276
- Geotechnical**
GZA GeoEnvironmental
27 Nash Road
Vernon, CT 06066
Telephone: 860.875.7205
Facsimile: 860.872.2416
- Fuss & O'Neill**
140 Westford Road
Mechanicsville, CT 06040-9281
Telephone: 860.643.2489
Facsimile: 860.643.0919
- SafeSecure Network**
17 E. Rock Road
Meriden, CT 06450
Telephone: 860.354.7200
Facsimile: 860.354.7200
- F & C Consultants, Inc.**
9233 Wood Parkway, Suite 225
Kansas City, MO 64114
Telephone: 816.532.3277
Facsimile: 816.532.8256
- Verical Construction**
Syska & Hennessy
Old Building, 9th Floor
Cincinnati, OH 45202
Telephone: 612.573.9200
Facsimile: 612.573.9191
- Andly/Mead**
Pelton Marsh Kinsella
14018 Woodbridge Lane, Suite 400
Dallas, TX 75247-0951
Telephone: 214.688.7444
Facsimile: 214.691.7468
- Spore Turf**
MST
1893 W. Korte Avenue
Littleton, CO 80120-4402
Telephone: 303.750.1440
Facsimile: 303.750.2627

THESE RECORD DOCUMENTS HAVE BEEN PREPARED BASED ON INFORMATION SUPPLIED TO THE ARCHITECT/ENGINEER BY OTHERS. THE ARCHITECT/ENGINEER HAS NOT INDEPENDENTLY VERIFIED THE INFORMATION AND DISCLAIMS RESPONSIBILITY FOR THE ACCURACY AND COMPLETENESS THEREOF. THESE DRAWINGS ARE FOR REFERENCE ONLY AND ARE NOT TO BE USED FOR CONSTRUCTION WITHOUT DRAWINGS AND CALCULATIONS SPECIFICALLY PREPARED FOR ANY INTENDED ADDITIONAL WORK.



ELLERBE BECKET

4600 Madison Avenue
Suite 1000
Kansas City, MO 64112
816 561 4443

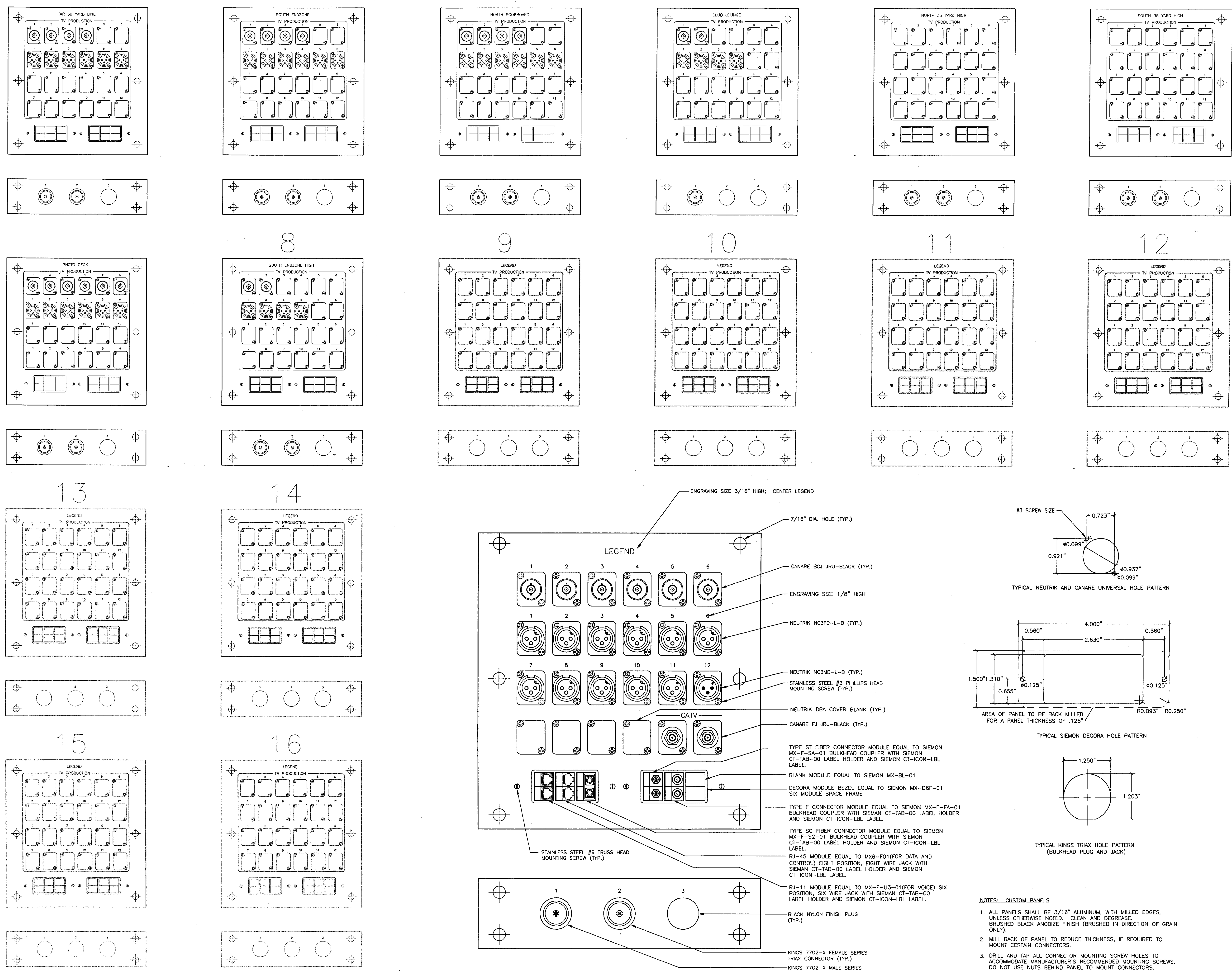
Ellerbe Becket, Inc.

© 2003 Ellerbe Becket

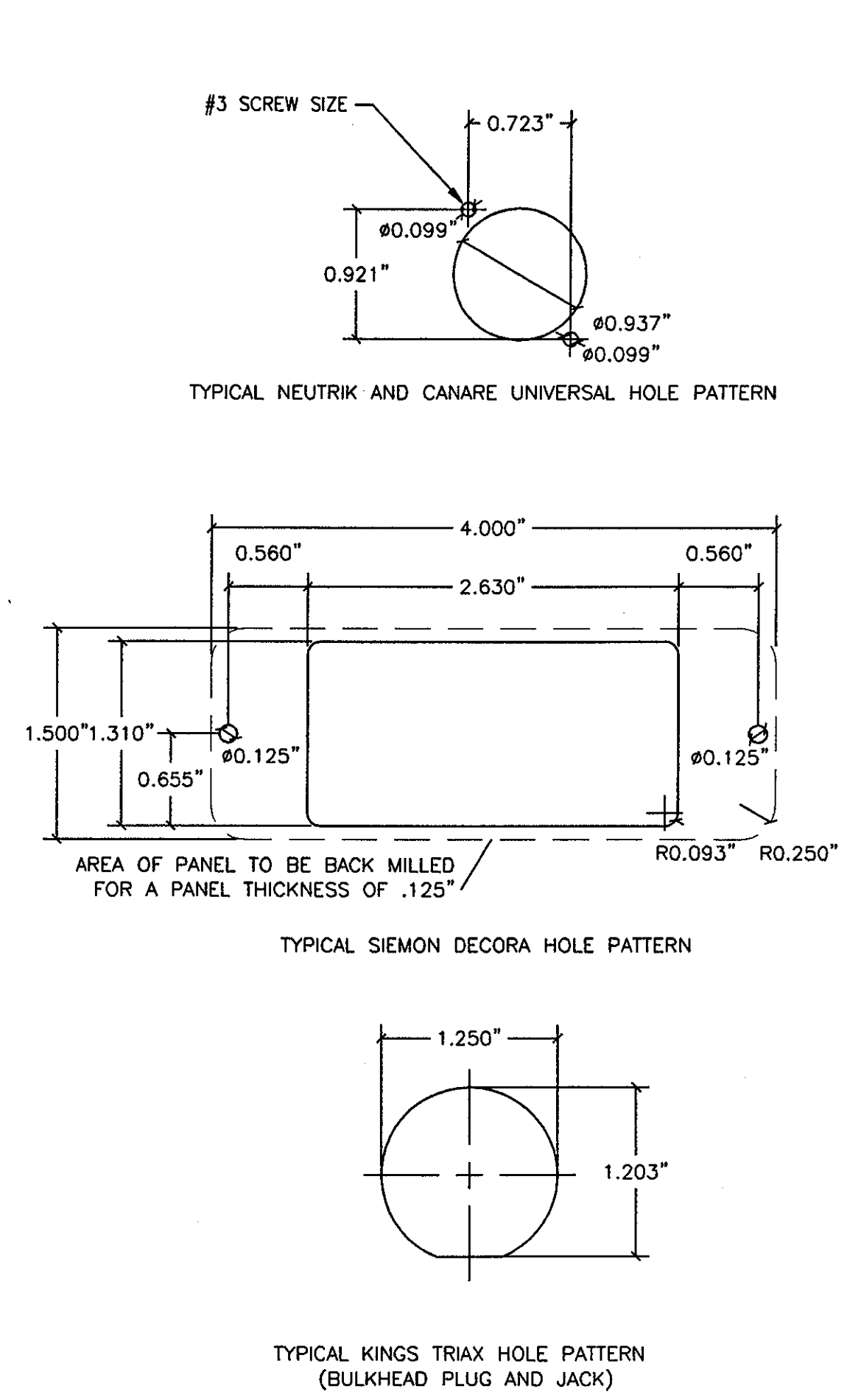
**BROADCAST PREWIRE
TYPE BL PANEL
LAYOUT AND FABRICATION**
Scale AS SHOWN

Date 08.30.03 Comm. No. 1013.0002.00
In Charge GLM RECORD DOCUMENTS
Drawn By PMK
Checked By TDL

TV301



1 DETAIL - BROADCAST PANEL
SCALE: 1/2"=1'-0"

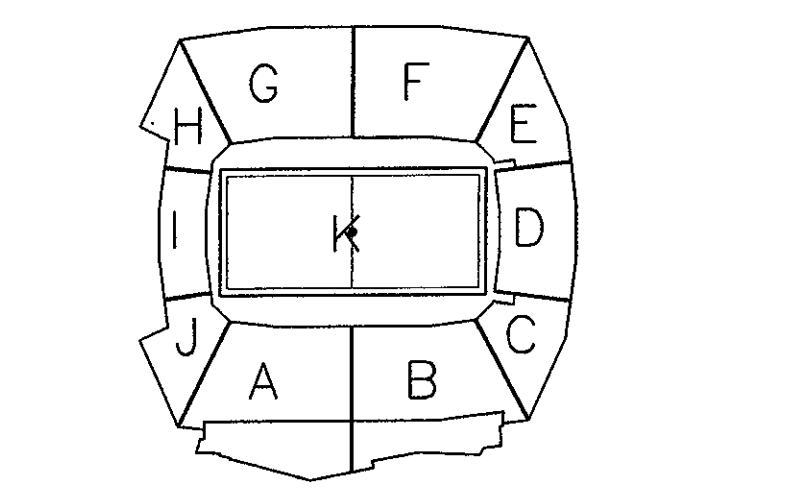


- NOTES: CUSTOM PANELS
- ALL PANELS SHALL BE 3/16" ALUMINUM, WITH MILLED EDGES, UNLESS OTHERWISE NOTED. CLEAN AND DEGREASE. BRUSHED BLACK ANODIZE FINISH (BRUSHED IN DIRECTION OF GRAIN ONLY).
 - MILL BACK OF PANEL TO REDUCE THICKNESS, IF REQUIRED TO MOUNT CERTAIN CONNECTORS.
 - DRILL AND TAP ALL CONNECTOR MOUNTING SCREW HOLES TO ACCOMMODATE MANUFACTURER'S RECOMMENDED MOUNTING SCREWS. DO NOT USE NUTS BEHIND PANEL TO MOUNT CONNECTORS.
 - COUNTERSINK HOLES FOR PANEL MOUNTING SCREWS. VERIFY MOUNTING SCREW LOCATIONS AGAINST ACTUAL BOXES INSTALLED.
 - ALL PANELS SHALL BE MILLED, AND DRILLED & TAPPED FOR FULL COMPLEMENT OF CONNECTORS. COVER UNUSED HOLES WITH PLASTIC BLANKS, AND SUPPLY MOUNTING HARDWARE FOR ALL CONNECTOR POSITIONS.
 - CONNECTOR QUANTITIES AND ENGRAVING AS SHOWN ON INDIVIDUAL DETAILS.

THE STADIUM AT
RENTSCHLER FIELD

- Owner
State of Connecticut
- Architect
Ellerbe Becket, Inc.
605 West 47th Street, Suite 200
Kansas City, MO 64112-1905
Telephone: 816.461.4443
Facsimile: 816.461.2663
- Landscaping Design
CR3
571 Independence Street
Stamford, CT 06907
Telephone: 860.353.1200
Facsimile: 860.353.1277
- Structural Engineering
BVH Integrated Services
50 Griffin Road South
Bloomfield, CT 06002
Telephone: 860.286.9171
Facsimile: 860.242.0236
- Food Service
The Bigelow Companies
1255 National Avenue, Suite 100
Kansas City, MO 64120
Telephone: 816.483.5533
Facsimile: 816.483.5510
- Mechanical/Electrical Engineering
DTC
556 Washington Ave
North Haven, CT 06457
Telephone: 203.238.4200
Facsimile: 203.234.7276
- Geotechnical
GZA GeoEnvironmental
27 Nash Road
Vernon, CT 06066
Telephone: 860.875.7855
Facsimile: 860.872.2416
- Civil Engineering/Traffic
Fuss & O'Neill
140 Wolford Road
Meriden, CT 06040-5261
Telephone: 860.648.2489
Facsimile: 860.640.6173
- Security
Safesecure Network
173 East Rock Road
New Milford, CT 06776
Telephone: 860.354.7020
Facsimile: 860.354.7020
- Cost Analysis
FP & C Consultants, Inc.
9229 West Parkway, Suite 225
Kansas City, MO 64114
Telephone: 816.523.3377
Facsimile: 816.523.8256
- Vertical Circulation
Syska & Hennessy
One Brookline, 9th Floor
Cambridge, MA 02142
Telephone: 617.577.5000
Facsimile: 617.577.9191
- Acoustic/Vibration
Petron Marsh Kinsella
1407 W. Montclair Lane, Suite 400
Dallas, TX 75247-4591
Telephone: 214.688.7444
Facsimile: 214.591.7446
- Sports Turf
MST
1807 W. Sixth Avenue
Lubbock, TX 79402-4402
Telephone: 803.758.1440
Facsimile: 803.758.2627

THESE RECORD DOCUMENTS HAVE BEEN PREPARED BASED ON INFORMATION SUPPLIED TO THE ARCHITECT/ENGINEER BY OTHERS. THE ARCHITECT/ENGINEER HAS NOT INDEPENDENTLY VERIFIED THE INFORMATION AND DISCLAIMS RESPONSIBILITY FOR THE ACCURACY AND COMPLETENESS THEREOF. THESE DRAWINGS ARE FOR REFERENCE ONLY AND ARE NOT TO BE USED FOR CONSTRUCTION WITHOUT DRAWINGS AND CALCULATIONS SPECIFICALLY PREPARED FOR ANY INTENDED ADDITIONAL WORK.



ELLERBE BECKET



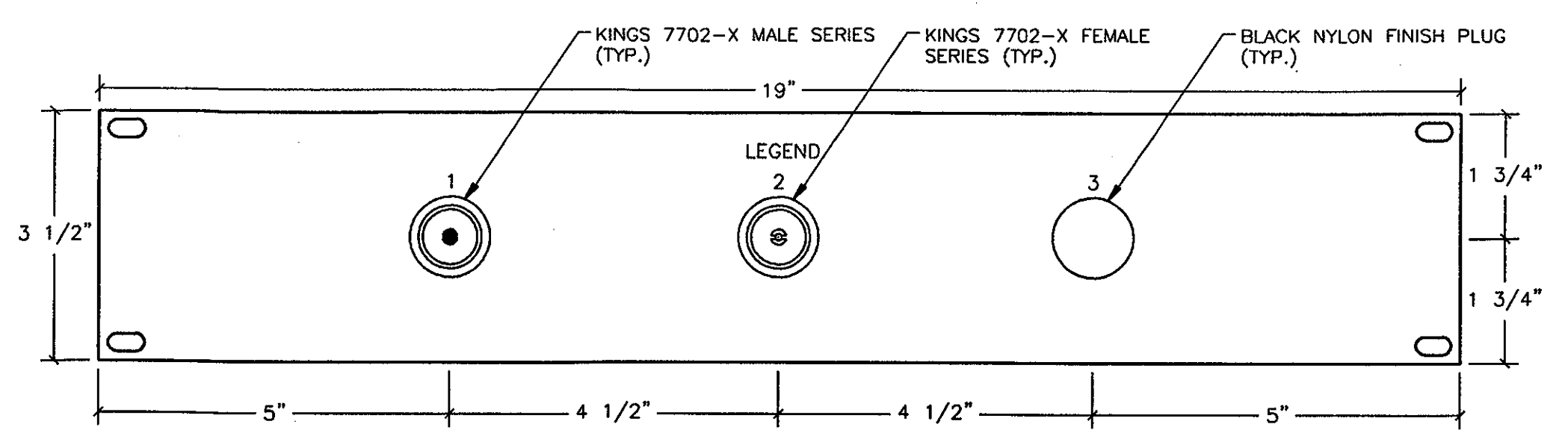
4600 Madison Avenue
Suite 1000
Kansas City, MO 64112
816.561.4443

© 2003 Ellerbe Becket

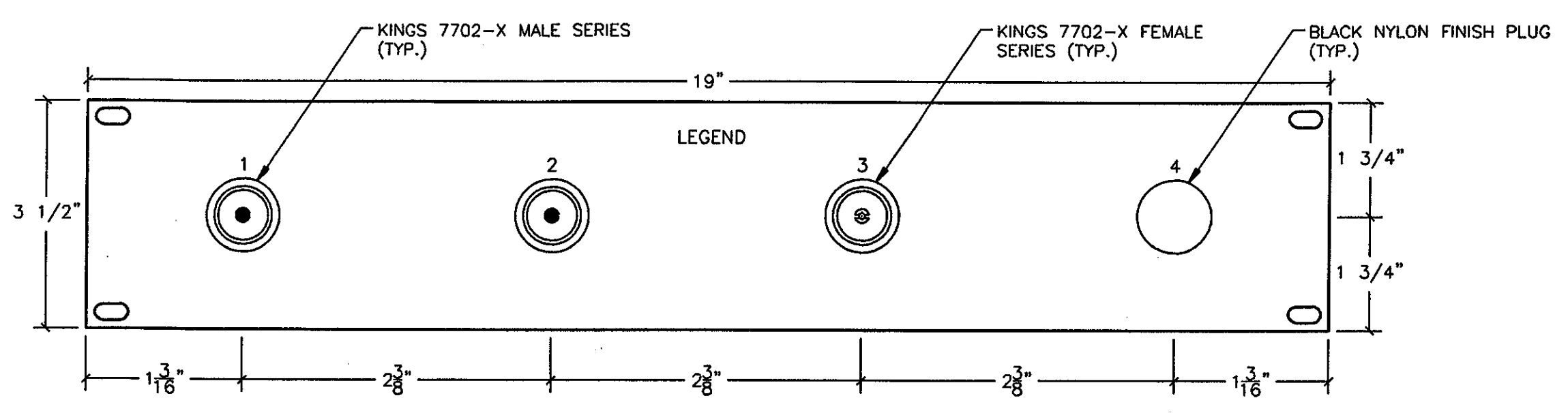
**BROADCAST PREWIRE
TYPE B PANEL
LAYOUT AND FABRICATION**
Scale AS SHOWN

Date 08.30.03 Comm. No. 1013.0002.00
In Charge CLM RECORD DOCUMENTS
Drawn By PMK
Checked By TDL

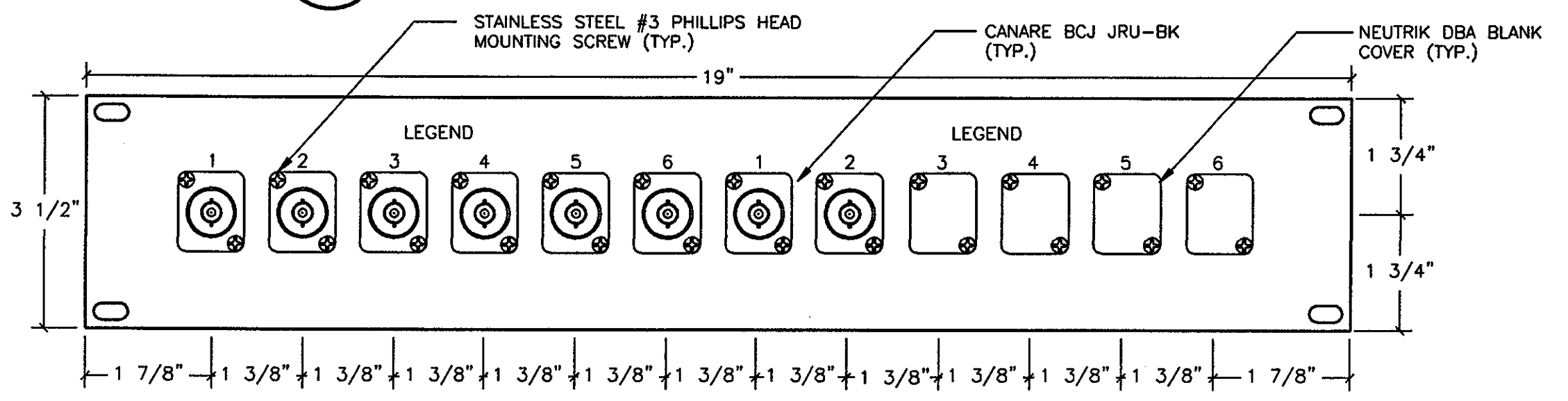
TV311



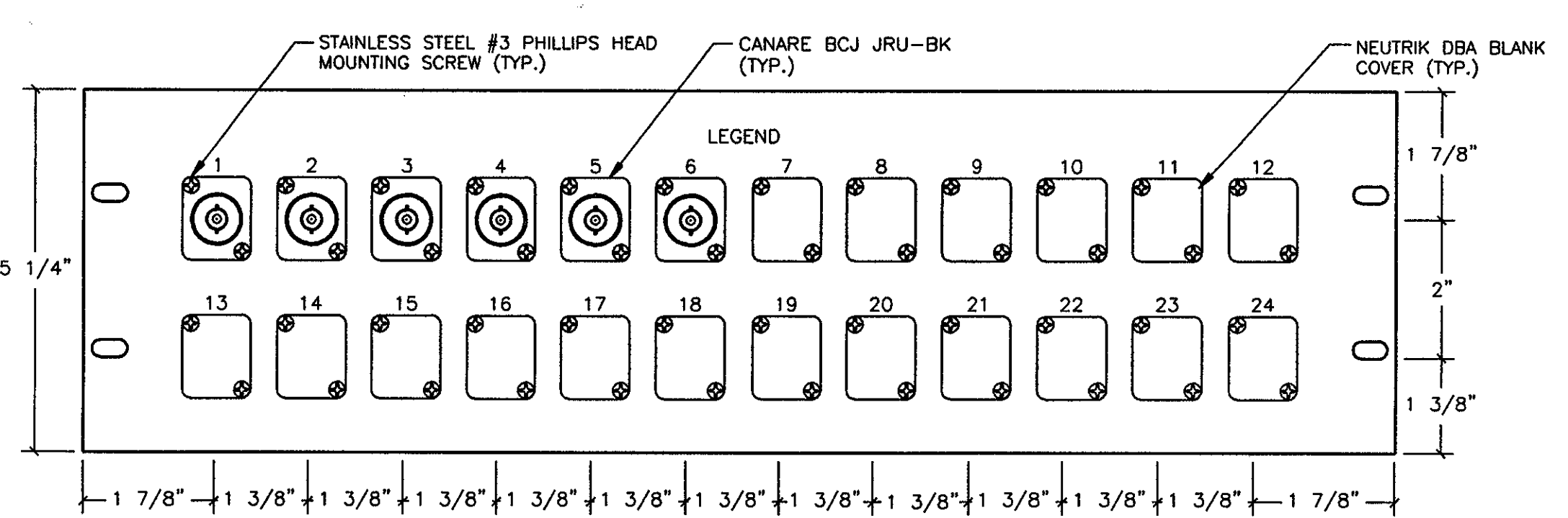
1 TRIAX CONNECTOR PANEL - TYPE A
TV331 SCALE: 1/2" = 1"



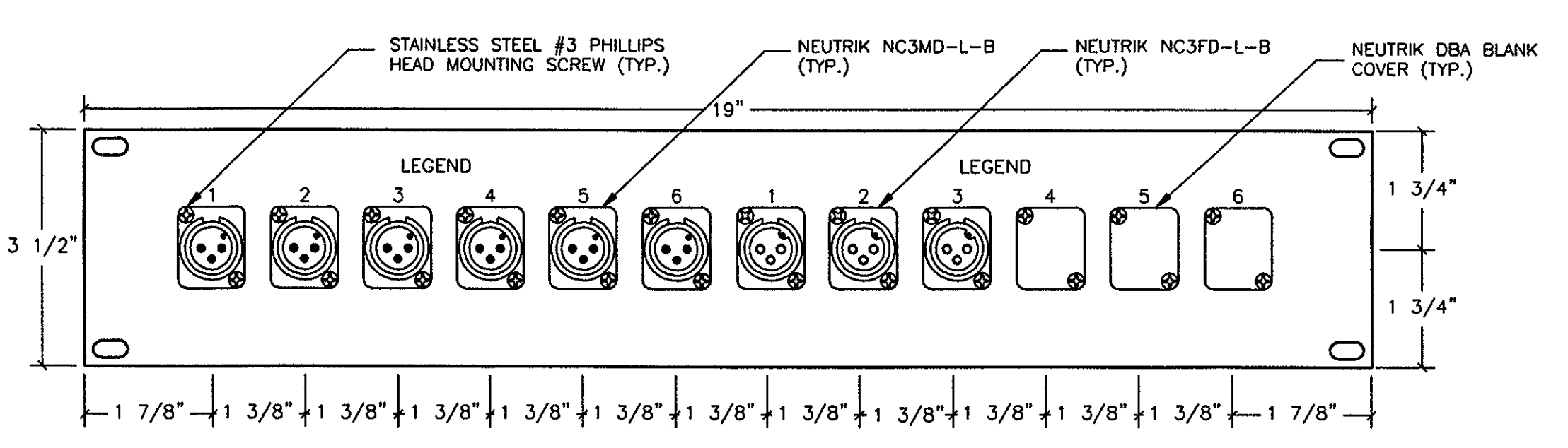
2 TRIAX CONNECTOR PANEL - TYPE B
TV331 SCALE: 1/2" = 1"



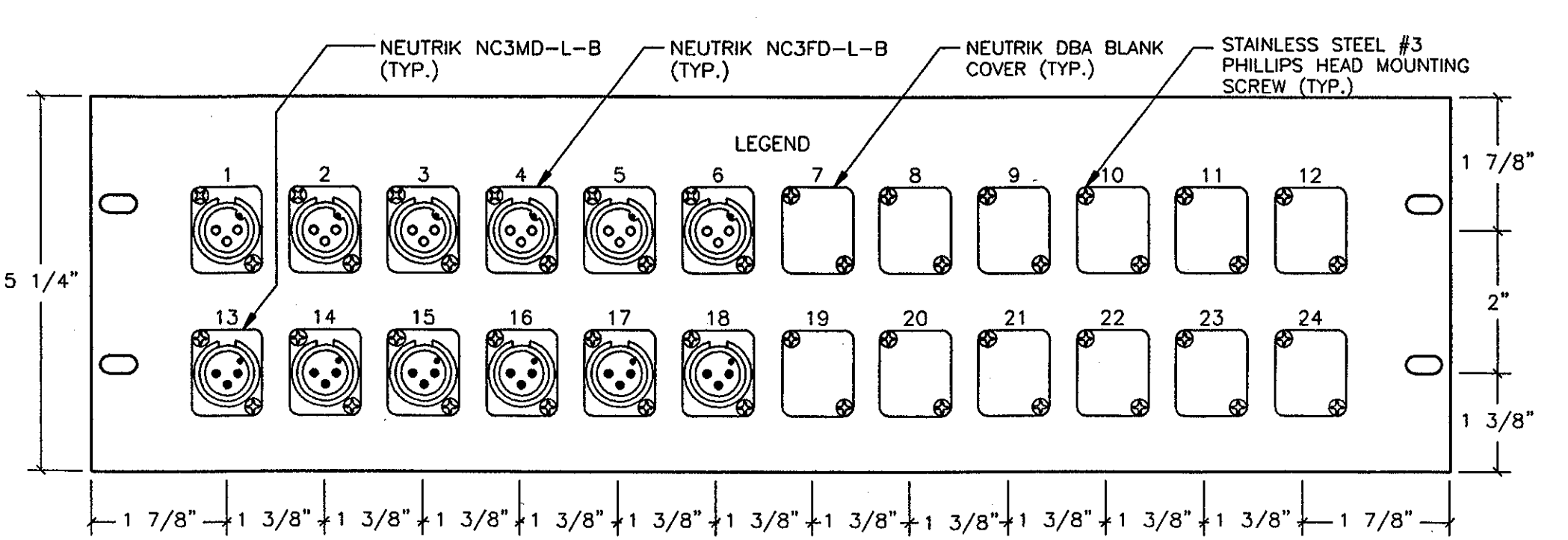
3 VIDEO CONNECTOR PANEL - TYPE A
TV331 SCALE: 1/2" = 1"



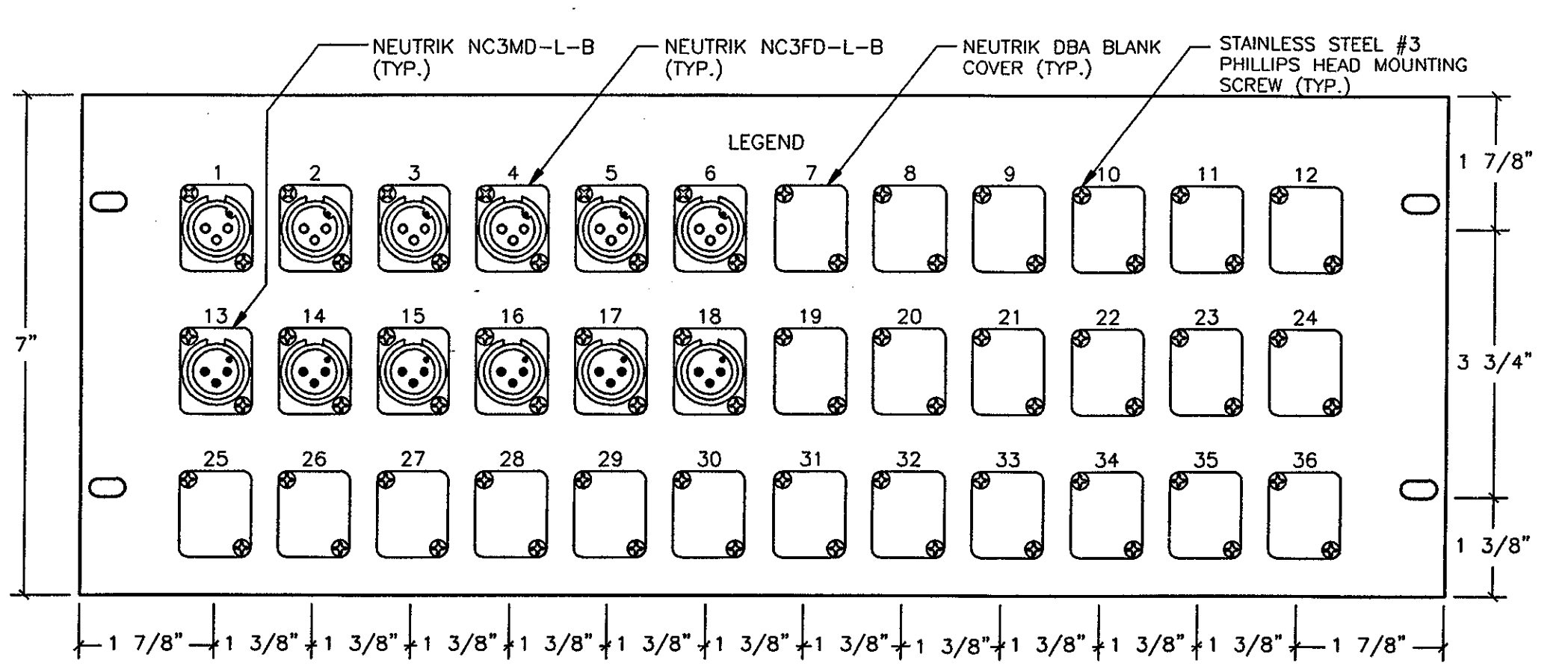
4 VIDEO CONNECTOR PANEL - TYPE B
TV331 SCALE: 1/2" = 1"



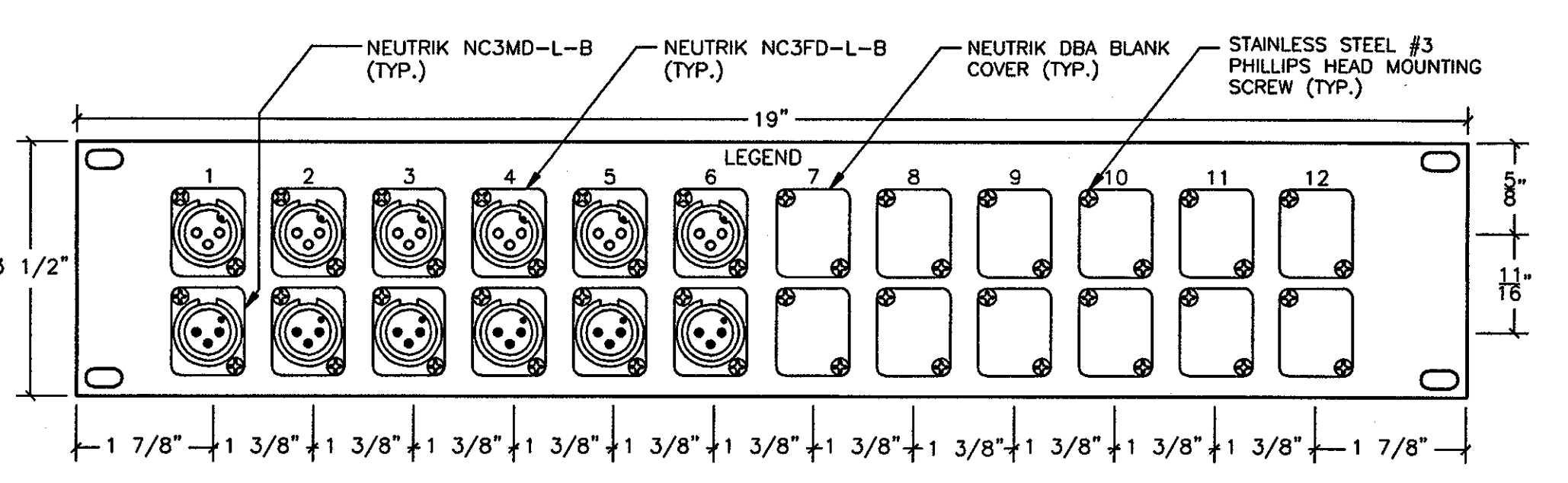
5 AUDIO CONNECTOR PANEL - TYPE A
TV331 SCALE: 1/2" = 1"



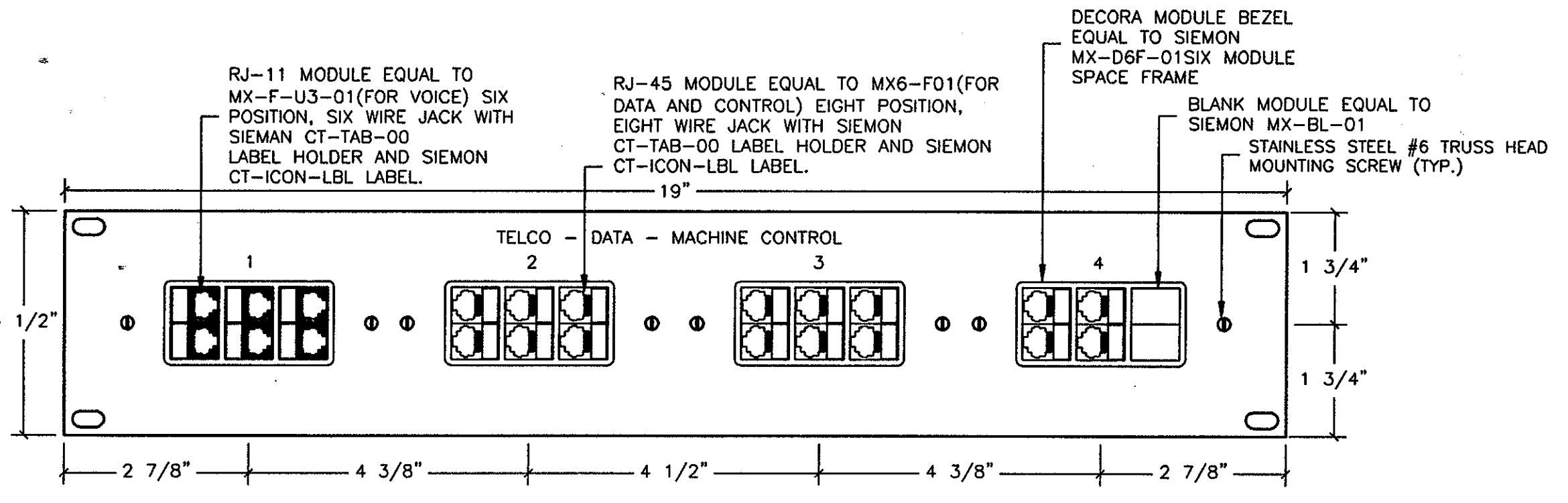
6 AUDIO CONNECTOR PANEL - TYPE B
TV331 SCALE: 1/2" = 1"



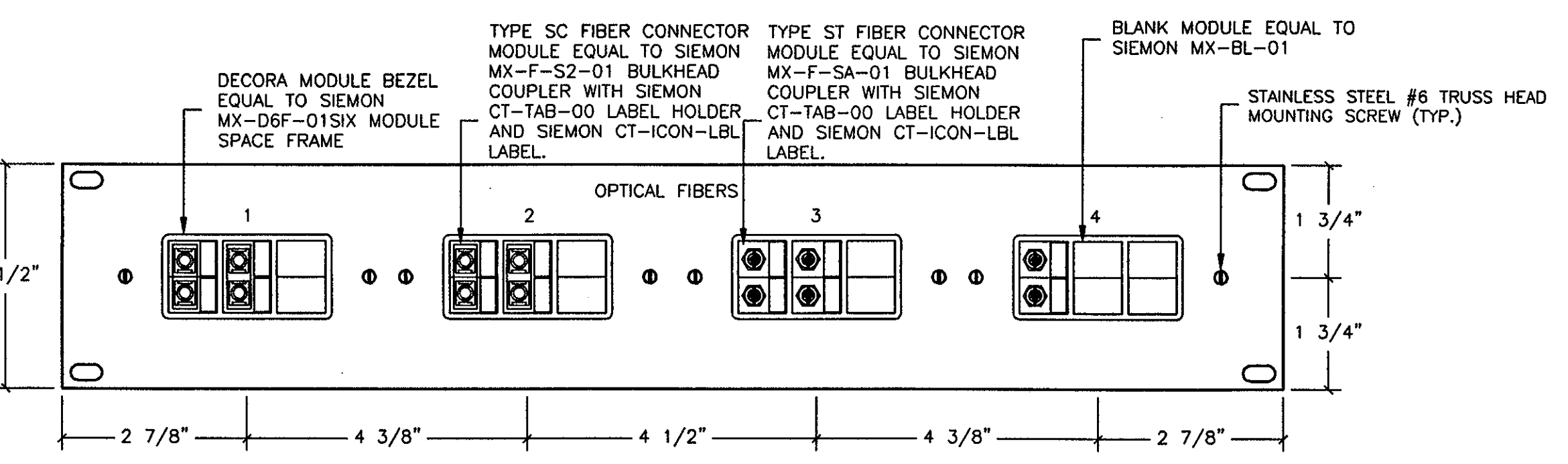
7 AUDIO CONNECTOR PANEL - TYPE C
TV331 SCALE: 1/2" = 1"



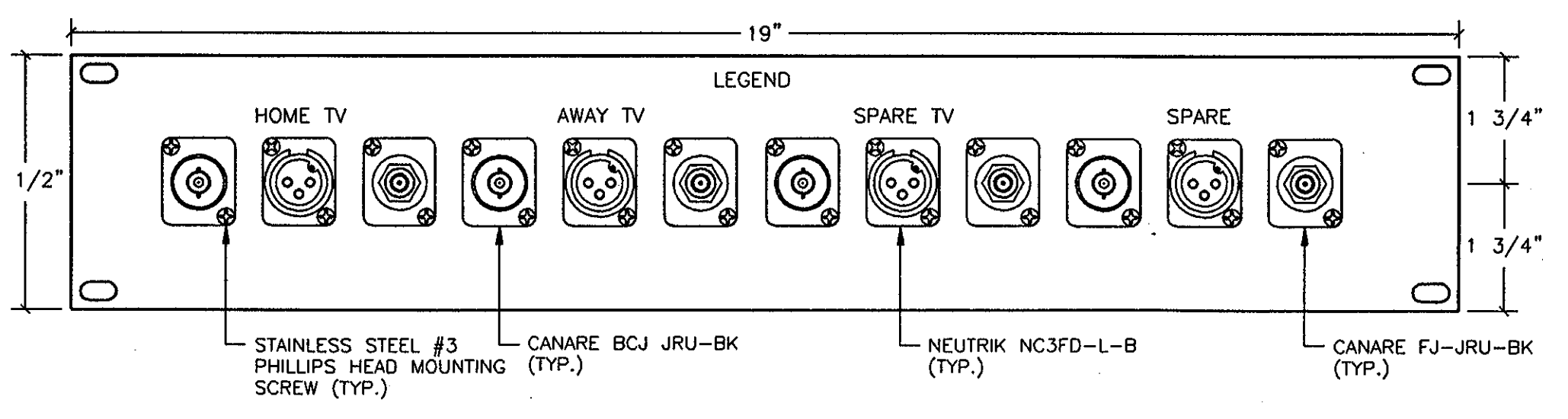
8 AUDIO CONNECTOR PANEL - TYPE D
TV331 SCALE: 1/2" = 1"



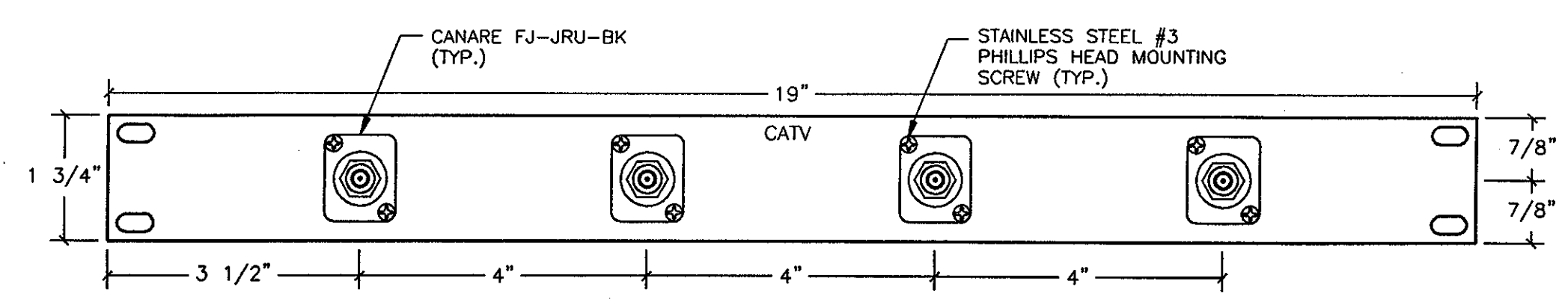
9 TELCO/DATA/CONTROL CONNECTOR PANEL
TV331 SCALE: 1/2" = 1"



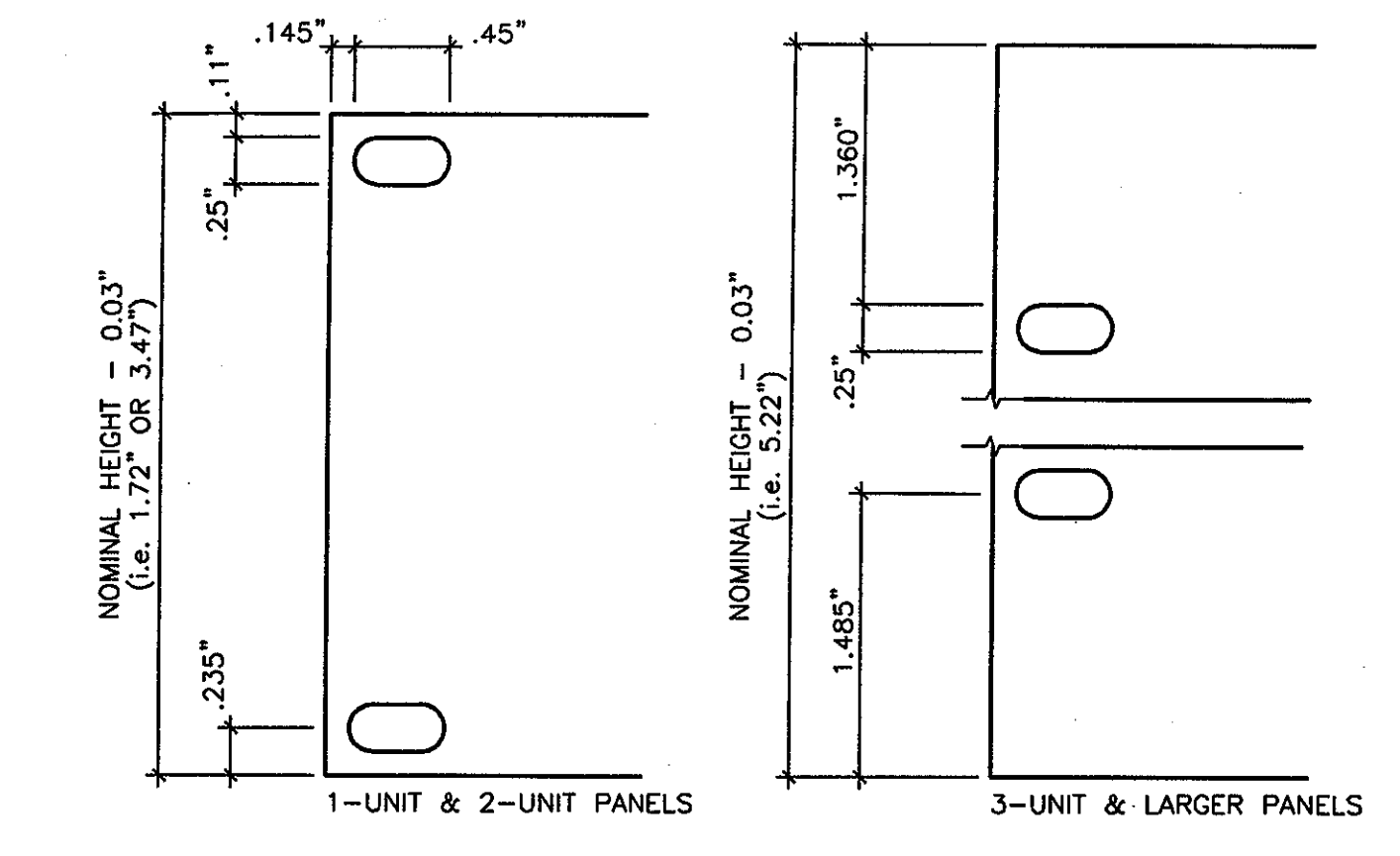
10 FIBER OPTIC CONNECTOR PANEL
TV331 SCALE: 1/2" = 1"



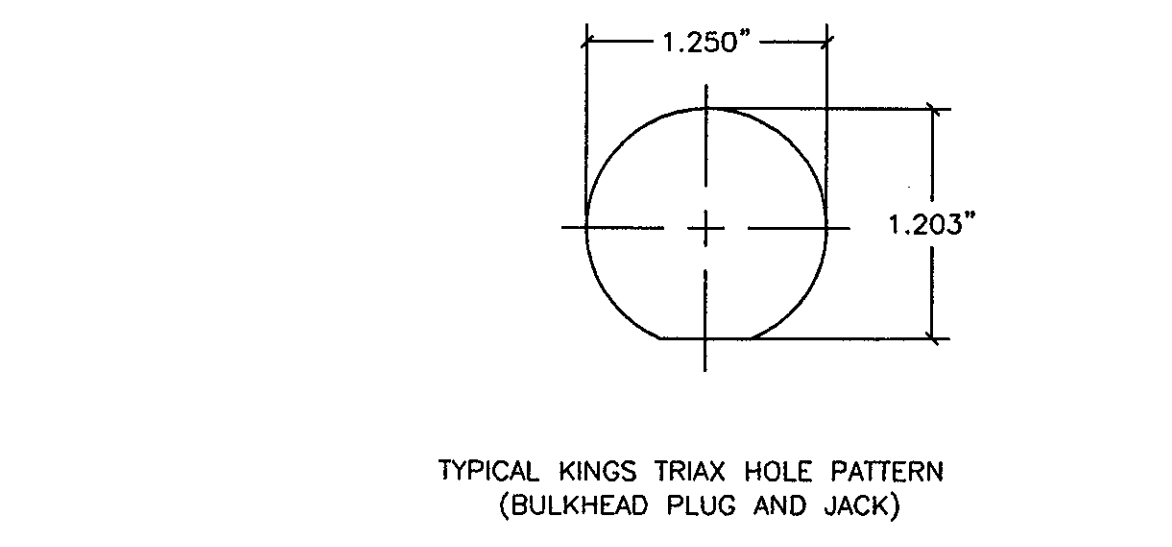
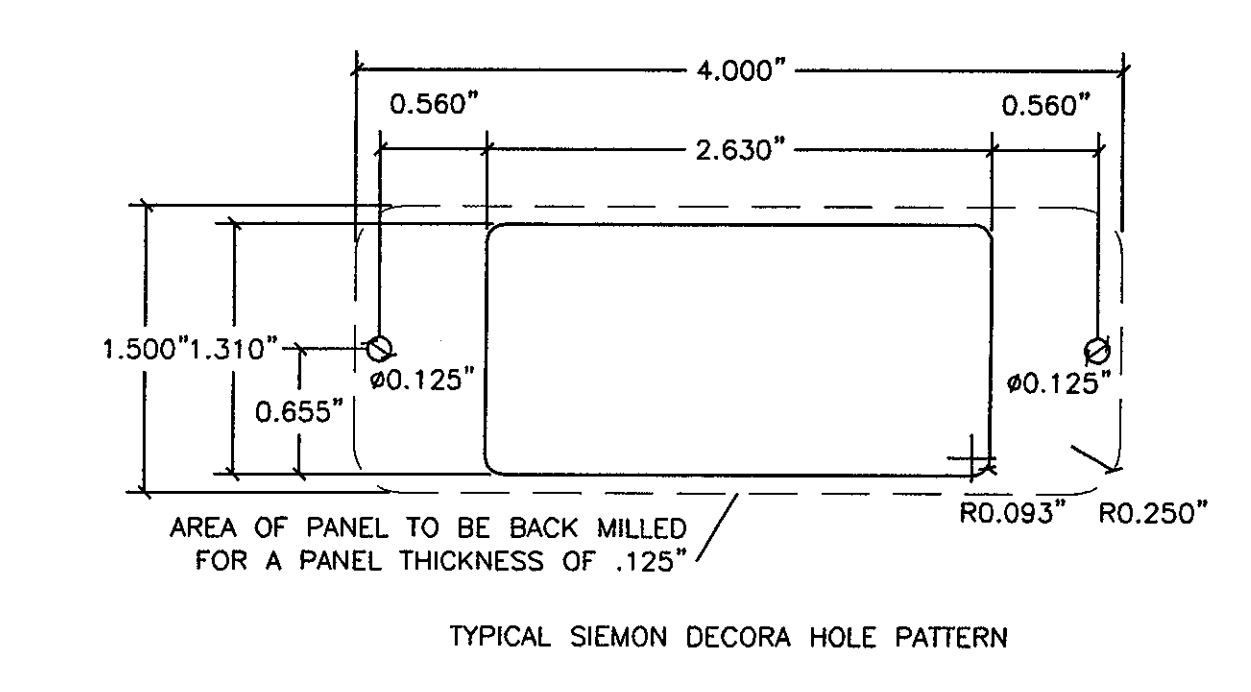
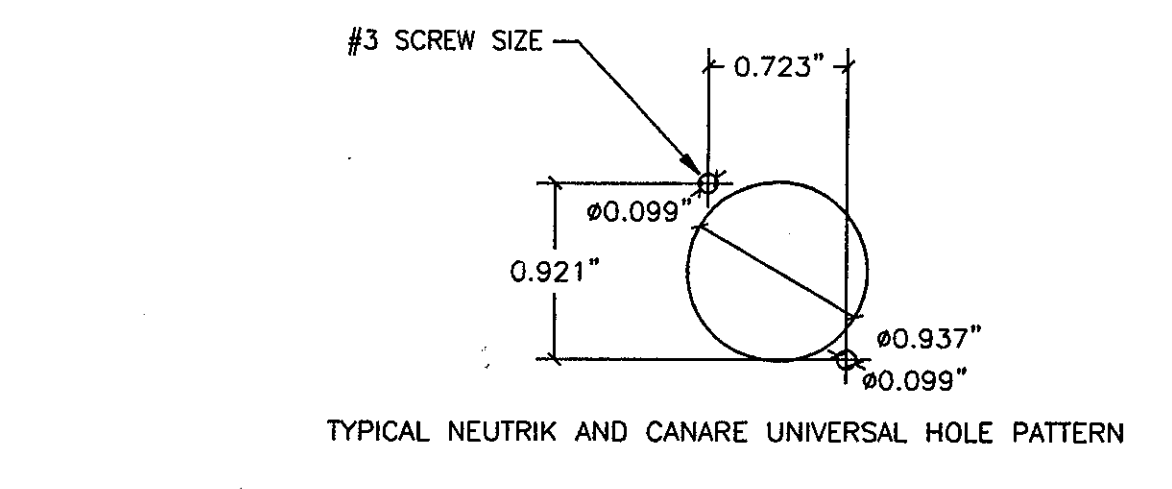
11 TV TRUCK CATV INTERFACE PANEL
TV331 SCALE: 1/2" = 1"



12 CATV CONNECTOR PANEL
TV331 SCALE: 1/2" = 1"



13 RACK PANEL DETAIL
TV331 SCALE: FULL



14 CONNECTOR MOUNTING HOLE PATTERNS
TV331 SCALE: FULL

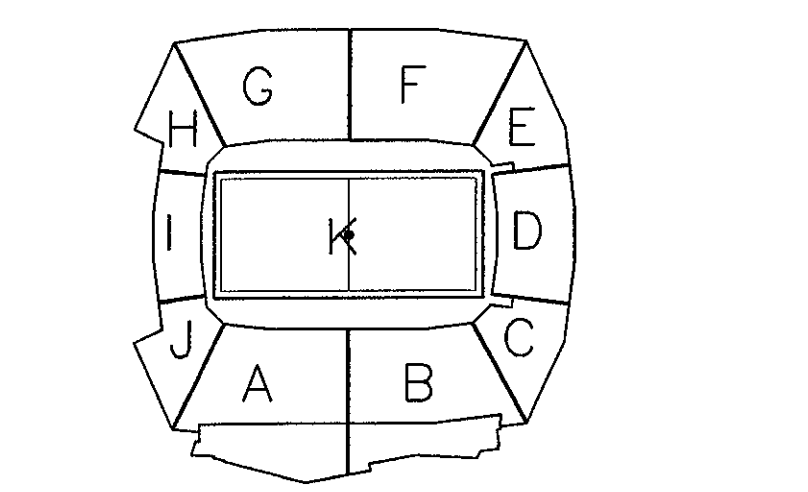
NOTES: CUSTOM PANELS

- ALL PANELS SHALL BE 3/16" ALUMINUM, WITH MILLED EDGES, UNLESS OTHERWISE NOTED. CLEAN AND DEGRADE. BRUSHED BLACK ANODIZE FINISH (BRUSHED IN DIRECTION OF GRAIN ONLY).
- MILL BACK OF PANEL TO REDUCE THICKNESS, IF REQUIRED TO MOUNT CERTAIN CONNECTORS.
- DRILL AND TAP ALL CONNECTOR MOUNTING SCREW HOLES TO ACCOMMODATE MANUFACTURER'S RECOMMENDED MOUNTING SCREWS. DO NOT USE NUTS BEHIND PANEL TO MOUNT CONNECTORS.
- COUNTERSINK HOLES FOR PANEL MOUNTING SCREWS. VERIFY MOUNTING SCREW LOCATIONS AGAINST ACTUAL BOXES INSTALLED.
- ALL PANELS SHALL BE MILLED, AND DRILLED & TAPPED FOR FULL COMPLIMENT OF CONNECTORS. COVER UNUSED HOLES WITH PLASTIC BLANKS, AND SUPPLY MOUNTING HARDWARE FOR ALL CONNECTOR POSITIONS.
- CONNECTOR QUANTITIES AND ENGRAVING AS SHOWN ON TVRP ELEVATION DRAWING.

THE STADIUM AT RENTSCHLER FIELD

- State of Connecticut
- Ellerbe Becket, Inc.**
602 West 47th Street, Suite 200
Kansas City, MO 64112-1995
Telephone: 816.586.4443
Facsimile: 816.586.2863
- CR3**
571 Hingham Street
Stamford, CT 06907
Telephone: 860.628.1200
Facsimile: 860.628.1277
- BVH Integrated Services**
50 Gable Road South
Bloomfield, CT 06002
Telephone: 860.286.9171
Facsimile: 860.242.8256
- The Bigelow Companies**
1575 Wilburton Avenue, Suite 150
Kansas City, MO 64119
Telephone: 816.483.5553
Facsimile: 816.483.5910
- DTC**
556 Washington Ave
North Haven, CT 06457
Telephone: 203.239.4200
Facsimile: 203.234.7376
- GZA GeoEnvironmental**
27 Hook Road
Vernon, CT 06066
Telephone: 860.873.7605
Facsimile: 860.873.2416
- Fuss & O'Neill**
140 Northford Road
Northford, CT 06456-9281
Telephone: 860.646.2489
Facsimile: 860.646.6919
- Safesecure Network**
New Milford, CT 06755
Telephone: 860.354.7020
Facsimile: 860.354.7020
- F & C Consultants, Inc.**
8239 Wood Parkway, Suite 225
Kansas City, MO 64114
Telephone: 816.532.3377
Facsimile: 816.532.8256
- Syska & Hennessy**
Old Building, 9th Floor
Cambridge, MA 02142
Telephone: 617.577.8000
Facsimile: 617.577.9191
- Pelton Marsh Kinsella**
1400 W. Michigan Lane, Suite 400
Dallas, TX 75247-4951
Telephone: 214.885.7444
Facsimile: 214.891.7468
- MST**
1890 W. Kelle Avenue
Lubbock, TX 79424-4402
Telephone: 807.791.1440
Facsimile: 807.791.2527

THESE RECORD DOCUMENTS HAVE BEEN PREPARED BASED ON INFORMATION SUPPLIED TO THE ARCHITECT/ENGINEER BY OTHERS. THE ARCHITECT/ENGINEER HAS NOT INDEPENDENTLY VERIFIED THE INFORMATION AND DISCLAIMS RESPONSIBILITY FOR THE ACCURACY AND COMPLETENESS THEREOF. THESE DRAWINGS ARE FOR REFERENCE ONLY AND ARE NOT TO BE USED FOR CONSTRUCTION WITHOUT DRAWINGS AND CALCULATIONS SPECIFICALLY PREPARED FOR ANY INTENDED ADDITIONAL WORK.



ELLERBE BECKET

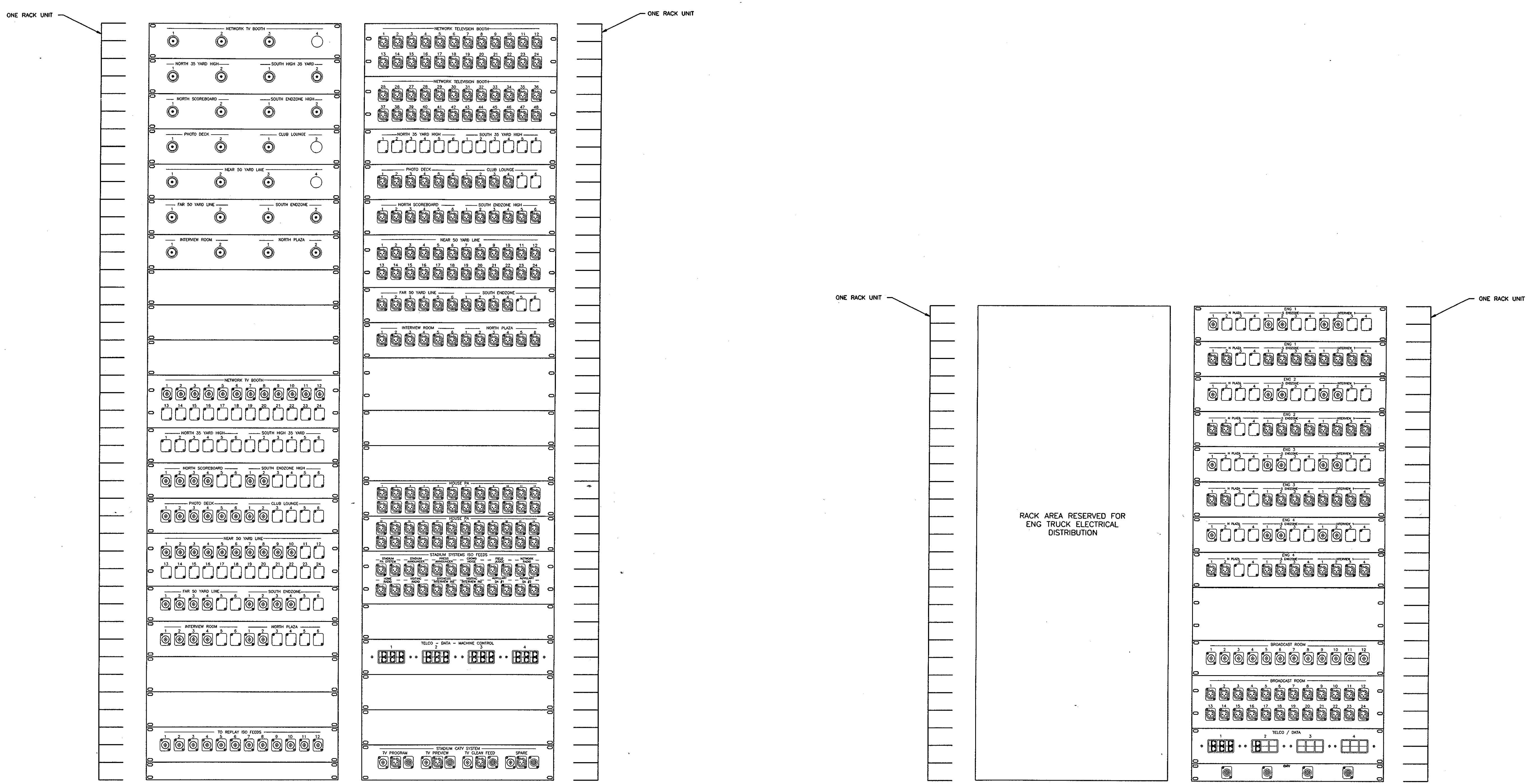


4600 Madison Avenue
Suite 1000
Kansas City, MO 64112
816.561.4443

© 2003 Ellerbe Becket

BROADCAST PREWIRE TVRP AND BROADCAST RACK PANEL FABRICATION DETAILS
Scale AS SHOWN

Date 08.30.03 Comm. No. 1013.0002.00
In Charge GLM RECORD DOCUMENTS
Drawn By PMK
Checked By TDL **TV331**



1 **DETAIL-PRODUCTION TVRP PANEL RACK**
TV332 3/8" = 1" TVRP

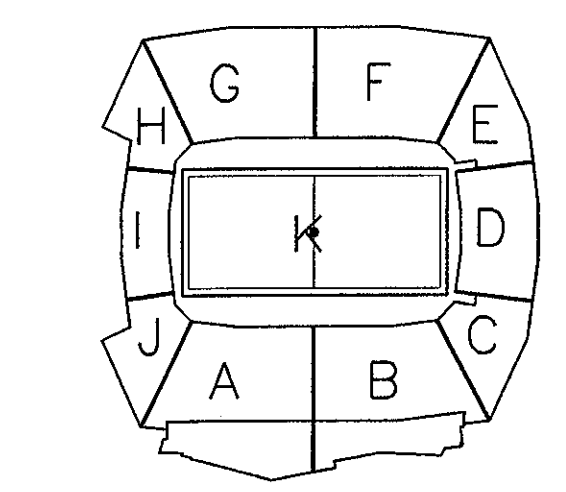
2 **DETAIL-ENG TVRP PANEL RACK**
TV332 3/8" = 1" TVRP

GENERAL NOTES

1. TERMINATE CATV, TELEPHONE CABLE/FIBER PROVIDED BY OTHERS ON PANELS PROVIDED UNDER THIS SECTION.

NOTES: CUSTOM PANELS

1. ALL PANELS SHALL BE 3/16" ALUMINUM, WITH MILLED EDGES, UNLESS OTHERWISE NOTED. CLEAN AND DEGREASE; BRUSHED BLACK ANODIZE FINISH (BRUSHED IN DIRECTION OF GRAIN ONLY).
2. MILL BACK OF PANEL TO REDUCE THICKNESS, IF REQUIRED TO MOUNT CERTAIN CONNECTORS.
3. DRILL AND TAP ALL CONNECTOR MOUNTING SCREW HOLES TO ACCOMMODATE MANUFACTURER'S RECOMMENDED MOUNTING SCREWS. DO NOT USE NUTS BEHIND PANEL TO MOUNT CONNECTORS.
4. COUNTERSINK HOLES FOR PANEL MOUNTING SCREWS. VERIFY MOUNTING SCREW LOCATIONS AGAINST ACTUAL BOXES INSTALLED.
5. ALL PANELS SHALL BE MILLED, AND DRILLED & TAPPED FOR FULL COMPLIMENT OF CONNECTORS. COVER UNUSED HOLES WITH PLASTIC BLANKS, AND SUPPLY MOUNTING HARDWARE FOR ALL CONNECTOR POSITIONS.
6. CONNECTOR QUANTITIES AS SHOWN ON TVRP.
7. FILL UNUSED SPACE IN ENCLOSURE WITH BLACK ALUMINUM BLANK PANELS OF EQUAL THICKNESS AND STYLE.



ELLERBE BECKET



4600 Madison Avenue
Suite 1000
Kansas City, MO 64112
816 561 4443

Ellerbe Becket, Inc.

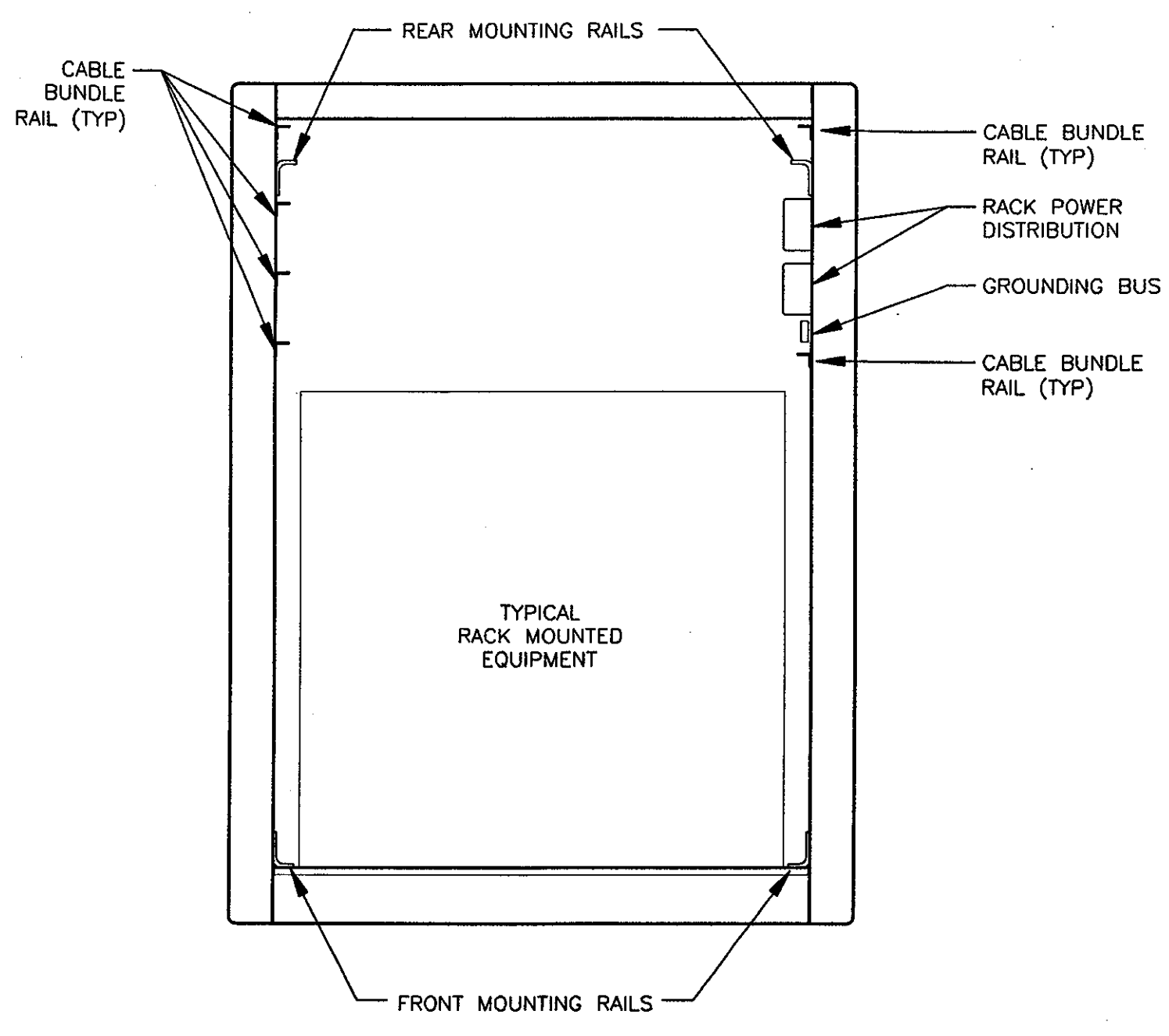
© 2003 Ellerbe Becket

**BROADCAST PREWIRE
PRODUCTION TVRP
PANEL LAYOUTS**
Scale AS SHOWN

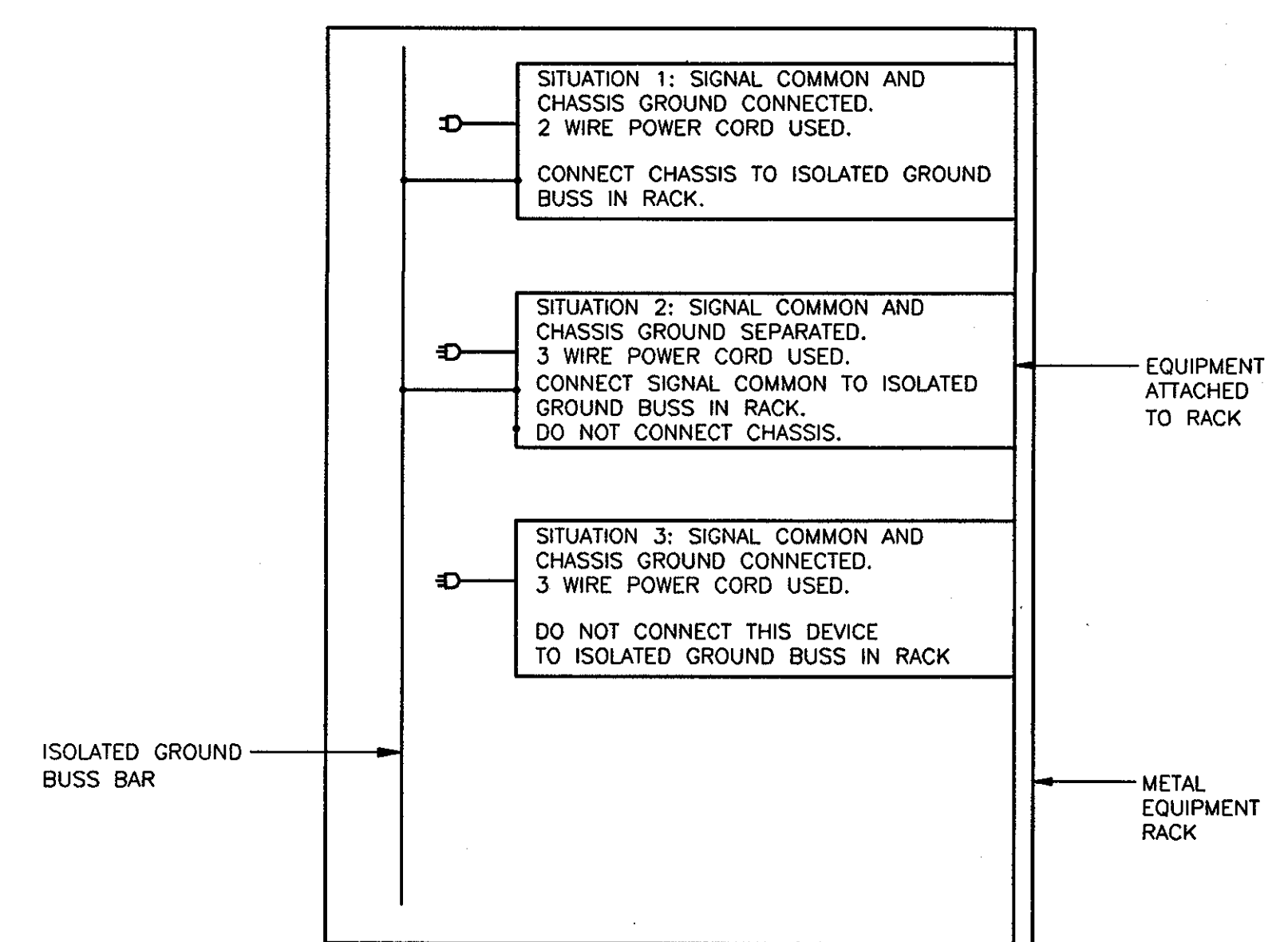
Date 08.30.03 Comm. No. 1013.0002.00
In Charge GLM RECORD DOCUMENTS
Drawn By PHK
Checked By TDL **TV332**

- Owner
State of Connecticut
- Architect
Ellerbe Becket, Inc.
605 West 47th Street, Suite 203
Kansas City, MO 64112-1995
Telephone: 816.561.4443
Facsimile: 816.561.2063
- Landscaping Design
CR3
571 Magnesian Street
Stamford, CT 06907
Telephone: 860.626.1200
Facsimile: 860.626.1217
- Structural Engineering
BVH Integrated Services
30 Griffin Road South
Bloomfield, CT 06002
Telephone: 860.286.9171
Facsimile: 860.242.0226
- Food Service
The Bigelow Companies
1575 National Avenue, Suite 150
Kansas City, MO 64116
Telephone: 816.483.3533
Facsimile: 816.483.5519
- Mechanical/Electrical Engineering
DTC
556 Washington Ave
North Haven, CT 06457
Telephone: 203.239.4200
Facsimile: 203.234.7375
- Geotechnical
GZA GeoEnvironmental
27 Main Road
Vernon, CT 06066
Telephone: 860.875.7655
Facsimile: 860.872.2416
- Civil Engineering/traffic
Fuss & O'Neill
160 Wolfden Road
Meriden, CT 06040-0921
Telephone: 860.646.2469
Facsimile: 860.643.6713
- Security
Safesecure Network
17 E. Main Street
New Britain, CT 06076
Telephone: 860.254.7020
Facsimile: 860.254.7020
- Code Analysis
F P & C Consultants, Inc.
9233 West Parkway, Suite 225
Kansas City, MO 64114
Telephone: 816.523.3377
Facsimile: 816.523.8256
- Vertical Circulation
Syska & Hennessy
One Brookline, 9th Floor
Cambridge, MA 02142
Telephone: 617.577.5900
Facsimile: 617.577.9191
- Audio/Visual
Petron Marsh Kinsella
1407 W. Montague Street, Suite 400
Dallas, TX 75247-4951
Telephone: 214.688.2444
Facsimile: 214.591.7400
- Special Test
MST
1807 W. North Avenue
Lubbock, TX 79402-4402
Telephone: 807.798.1440
Facsimile: 807.798.2627

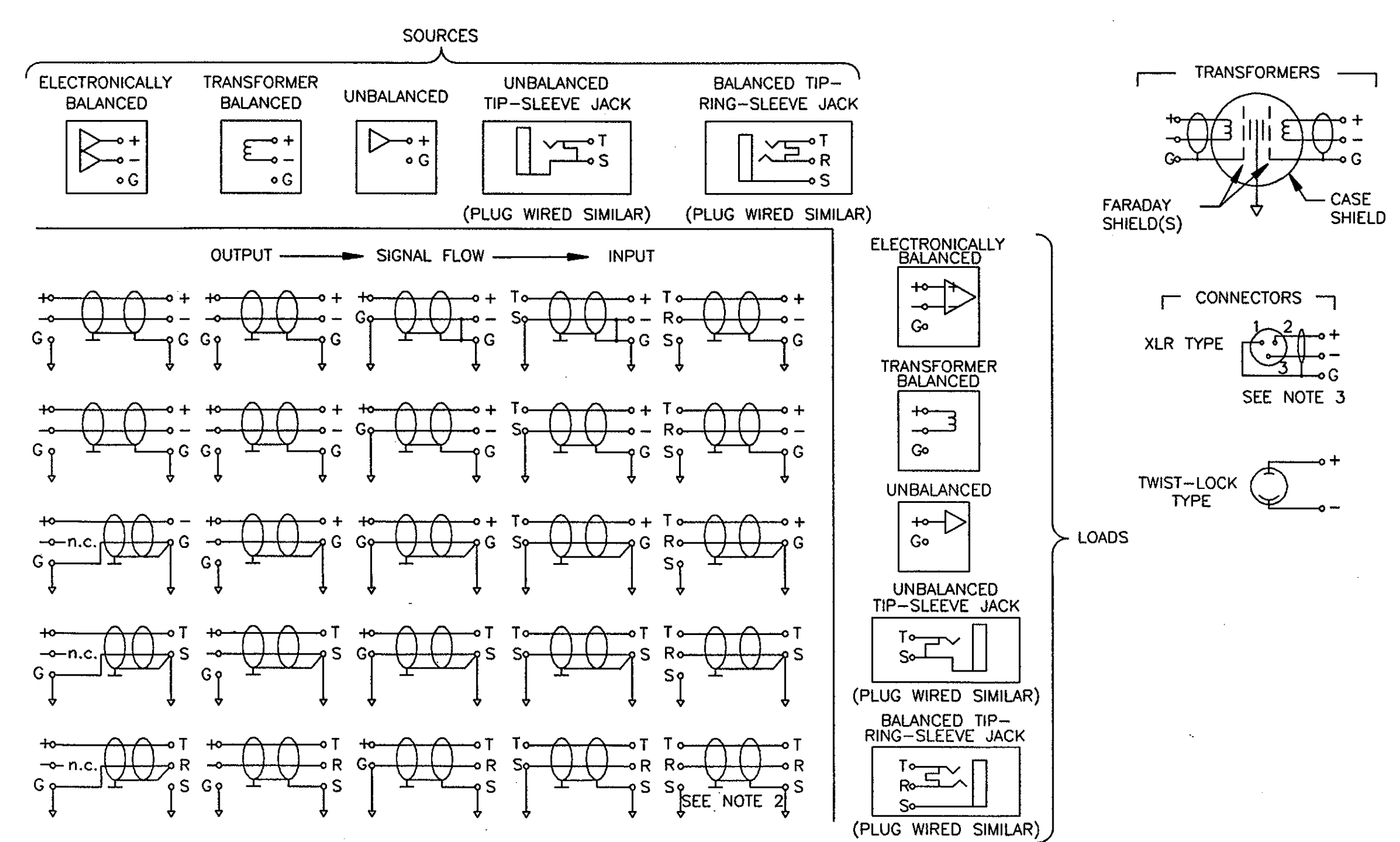
THESE RECORD DOCUMENTS HAVE BEEN PREPARED BASED ON INFORMATION SUPPLIED TO THE ARCHITECT/ENGINEER BY OTHERS. THE ARCHITECT/ENGINEER HAS NOT INDEPENDENTLY VERIFIED THE INFORMATION AND DISCLAIMS RESPONSIBILITY FOR THE ACCURACY AND COMPLETENESS THEREOF. THESE DRAWINGS ARE FOR REFERENCE ONLY AND ARE NOT TO BE USED FOR CONSTRUCTION WITHOUT DRAWINGS AND CALCULATIONS SPECIFICALLY PREPARED FOR ANY INTENDED ADDITIONAL WORK.



1 **DETAIL - TYPICAL EQUIPMENT RACK SECTION POWER & GROUNDING**
 SR101 SCALE: NONE

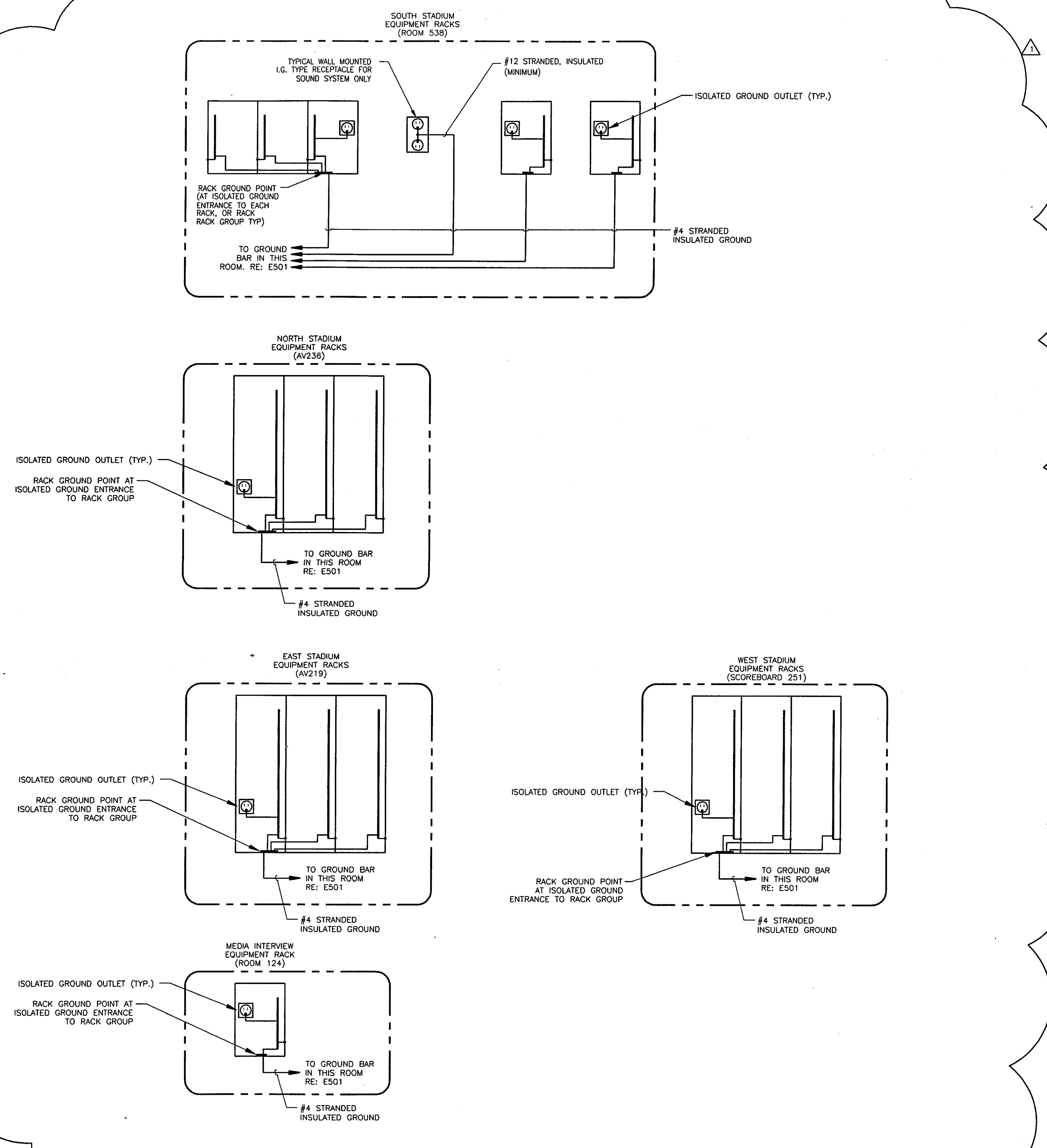


2 **DETAIL - EQUIPMENT GROUNDING**
 SR101 SCALE: NONE



3 **DETAIL - SIGNAL WIRING GROUNDING AND SHIELD**
 SR101 SCALE: NONE

- NOTES:
- ALL EQUIPMENT CHASSIS MUST BE BONDED TO GROUND BUSS.
 - CONNECT SHIELDS AT BOTH ENDS OF 'TIE LINES'.
 - DO NOT GROUND CONNECTOR SHELL TO PIN ONE (1) FOR CHASSIS MOUNT AND CABLE MOUNT XLR TYPE CONNECTORS.
 - ISOLATE ALL SYSTEM SHIELDS AND TECHNICAL GROUNDS FROM BUILDING CONDUIT SYSTEM.



4 **SOUND EQUIPMENT RACK TECHNICAL GROUNDING**
 SR101 SCALE: NO SCALE

WIRE AND CABLE SCHEDULE

AUDIO	MIC/LINE	BELDEN	8451
	SPEAKER	ANICOM	#10 THHN
INTERCOM		WEST PENN	440
CONTROL	BUSS	LIBERTY	AXLINK
	RS-232	BELDEN	95.33
	DC	WEST PENN	263
	CAT-5	BELDEN	1752A

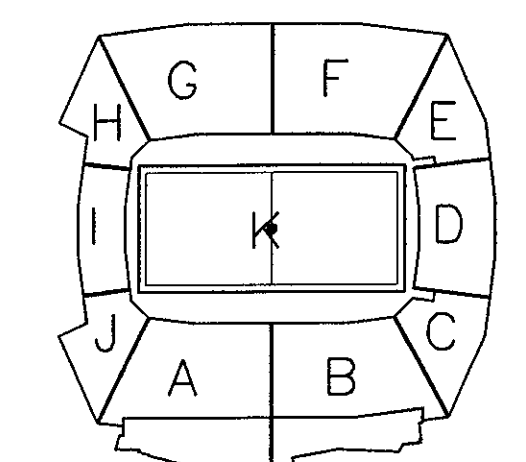
5 **DETAIL - CABLE SCHEDULE**
 SR101 SCALE: NO SCALE

NOTE: THIS DRAWING IS SHOWN FOR COORDINATION WITH DIVISION 16 ONLY. DIVISION 11 TO VERIFY PROPER GROUNDING.

THE STADIUM AT RENTSCHLER FIELD

- Owner: State of Connecticut
- Architect: **Ellerbe Becket, Inc.**
 805 West 47th Street, Suite 200
 Kansas City, MO 64112-1905
 Telephone: 816.882.4400
 Facsimile: 816.881.2800
- Landscaping Design: **CR3**
 571 Hingham Street
 Simsbury, CT 06091
 Telephone: 860.628.1088
 Facsimile: 860.628.1317
- Structural Engineering: **BVH Integrated Services**
 50 Green Road, Suite 200
 Bloomfield, CT 06002
 Telephone: 860.286.9171
 Facsimile: 860.242.0026
- Food Service: **The Bigelow Companies**
 1550 General Avenue, Suite 150
 Kansas City, MO 64120
 Telephone: 816.482.5533
 Facsimile: 816.482.5510
- Mechanical/Electrical Engineering: **DTC**
 556 Washington Ave
 North Haven, CT 06473
 Telephone: 203.239.0200
 Facsimile: 203.234.7376
- Geotechnical: **GZA GeoEnvironmental**
 27 Nash Road
 Vernon, CT 06066
 Telephone: 860.875.7865
 Facsimile: 860.872.2416
- Oil Engineering/Traffic: **Fuss & O'Neill**
 140 Wolford Road
 Meriden, CT 06040-9221
 Telephone: 860.666.2489
 Facsimile: 860.662.6713
- Security: **Safesecure Network**
 173 Rock Road
 New Milford, CT 06776
 Telephone: 860.354.7020
 Facsimile: 860.354.7020
- Cable Analysis: **F & C Consultants, Inc.**
 5233 Wood Parkway, Suite 225
 Kansas City, MO 64114
 Telephone: 816.523.3377
 Facsimile: 816.523.8256
- Vertical Circulation: **Syska & Hennessy**
 One Brookline, 9th Floor
 Cambridge, MA 02142
 Telephone: 617.577.9000
 Facsimile: 617.577.9191
- Audio/Visual: **Pelton Marsh Kinsella**
 1401 W. Montpelier Lane, Suite 400
 Dallas, TX 75247-4891
 Telephone: 214.698.7344
 Facsimile: 214.691.7400
- Specialty: **MST**
 1801 N. Sixth Avenue
 Lubicon, CO 80130-4402
 Telephone: 303.730.1440
 Facsimile: 303.730.2527

THESE RECORD DOCUMENTS HAVE BEEN PREPARED BASED ON INFORMATION SUPPLIED TO THE ARCHITECT/ENGINEER BY OTHERS. THE ARCHITECT/ENGINEER HAS NOT INDEPENDENTLY VERIFIED THE INFORMATION AND DISCLAIMS RESPONSIBILITY FOR THE ACCURACY AND COMPLETENESS THEREOF. THESE DRAWINGS ARE FOR REFERENCE ONLY AND ARE NOT TO BE USED FOR CONSTRUCTION WITHOUT DRAWINGS AND CALCULATIONS SPECIFICALLY PREPARED FOR ANY INTENDED ADDITIONAL WORK.



ELLERBE BECKET



4600 Madison Avenue
 Suite 1000
 Kansas City, MO 64112
 816 561 4443

Ellerbe Becket, Inc.

© 2003 Ellerbe Becket

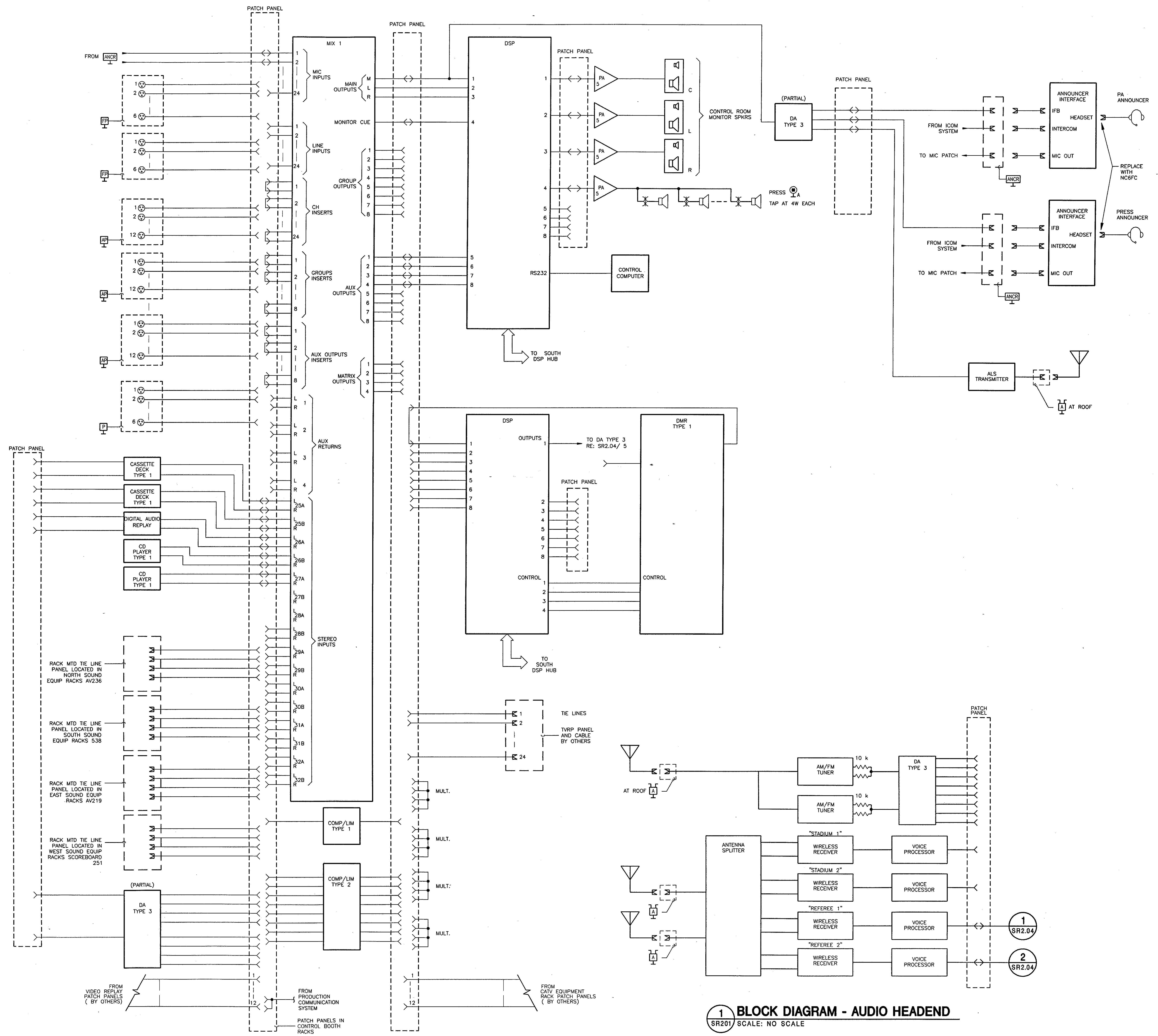
SOUND REINFORCEMENT GENERAL DETAILS

Scale

Date: 08.30.03 Comm. No. 1013.0002.00
 In Charge: GLM RECORD DOCUMENTS

Drawn By: PMK
 Checked By: TDL

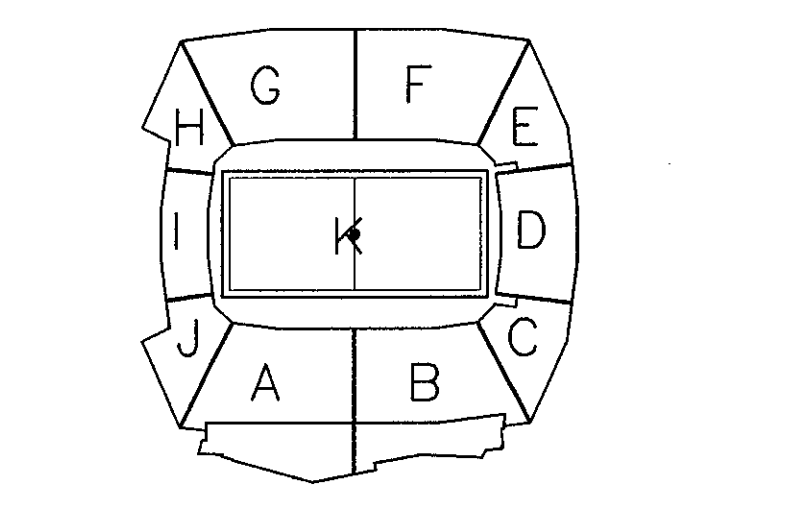
SR1.01



THE STADIUM AT RENTSCHLER FIELD

- Owner
State of Connecticut
- Architect
Ellerbe Becket, Inc.
602 West 9th Street, Suite 200
Kansas City, MO 64112-1905
Telephone: 816.561.4443
Facsimile: 816.561.2863
- Landscaping Design
CB3
571 Independence Street
Stamford, CT 06907
Telephone: 860.686.1988
Facsimile: 860.686.1217
- Structural Engineering
BVH Integrated Services
30 Griffin Road South
Bloomfield, CT 06002
Telephone: 860.286.9171
Facsimile: 860.242.0226
- Food Service
The Bigelow Companies
1375 Central Avenue, Suite 156
Kansas City, MO 64119
Telephone: 816.483.5533
Facsimile: 816.483.5519
- Mechanical/Electrical Engineering
DTC
556 Washington Ave
North Haven, CT 06457
Telephone: 203.239.4200
Facsimile: 203.234.7276
- Generalist
GZA GeoEnvironmental
27 Nash Road
Vernon, CT 06066
Telephone: 860.875.7605
Facsimile: 860.872.2416
- Oil Engineering/Traffic
Fuss & O'Neill
140 Northfield Road
Meriden, CT 06040-5281
Telephone: 860.646.2469
Facsimile: 860.643.6513
- Security
Safesecure Network
New Britain, CT 06106
Telephone: 860.354.7020
Facsimile: 860.354.7020
- Code Analysis
F P & C Consultants, Inc.
5223 Wood Parkway, Suite 225
Kansas City, MO 64114
Telephone: 816.523.3377
Facsimile: 816.523.8256
- Vertical Circulation
Syska & Hennessy
Old Building, 9th Floor
Cambridge, MA 02142
Telephone: 617.577.5000
Facsimile: 617.577.9191
- Audio/Visual
Petron Marsh Kinsella
1407 W. Washington Lane, Suite 400
Dallas, TX 75247-4951
Telephone: 214.888.7444
Facsimile: 214.951.7449
- Space Tech
MST
1801 W. North Avenue
Urbana, IL 61824-4402
Telephone: 303.736.1440
Facsimile: 303.730.2827

THESE RECORD DOCUMENTS HAVE BEEN PREPARED BASED ON INFORMATION SUPPLIED TO THE ARCHITECT/ENGINEER BY OTHERS. THE ARCHITECT/ENGINEER HAS NOT INDEPENDENTLY VERIFIED THE INFORMATION AND DISCLAIMS RESPONSIBILITY FOR THE ACCURACY AND COMPLETENESS THEREOF. THESE DRAWINGS ARE FOR REFERENCE ONLY AND ARE NOT TO BE USED FOR CONSTRUCTION WITHOUT DRAWINGS AND CALCULATIONS SPECIFICALLY PREPARED FOR ANY INTENDED ADDITIONAL WORK.



ELLERBE BECKET

4600 Madison Avenue
Suite 1000
Kansas City, MO 64112
816 561 4443

Ellerbe Becket, Inc.

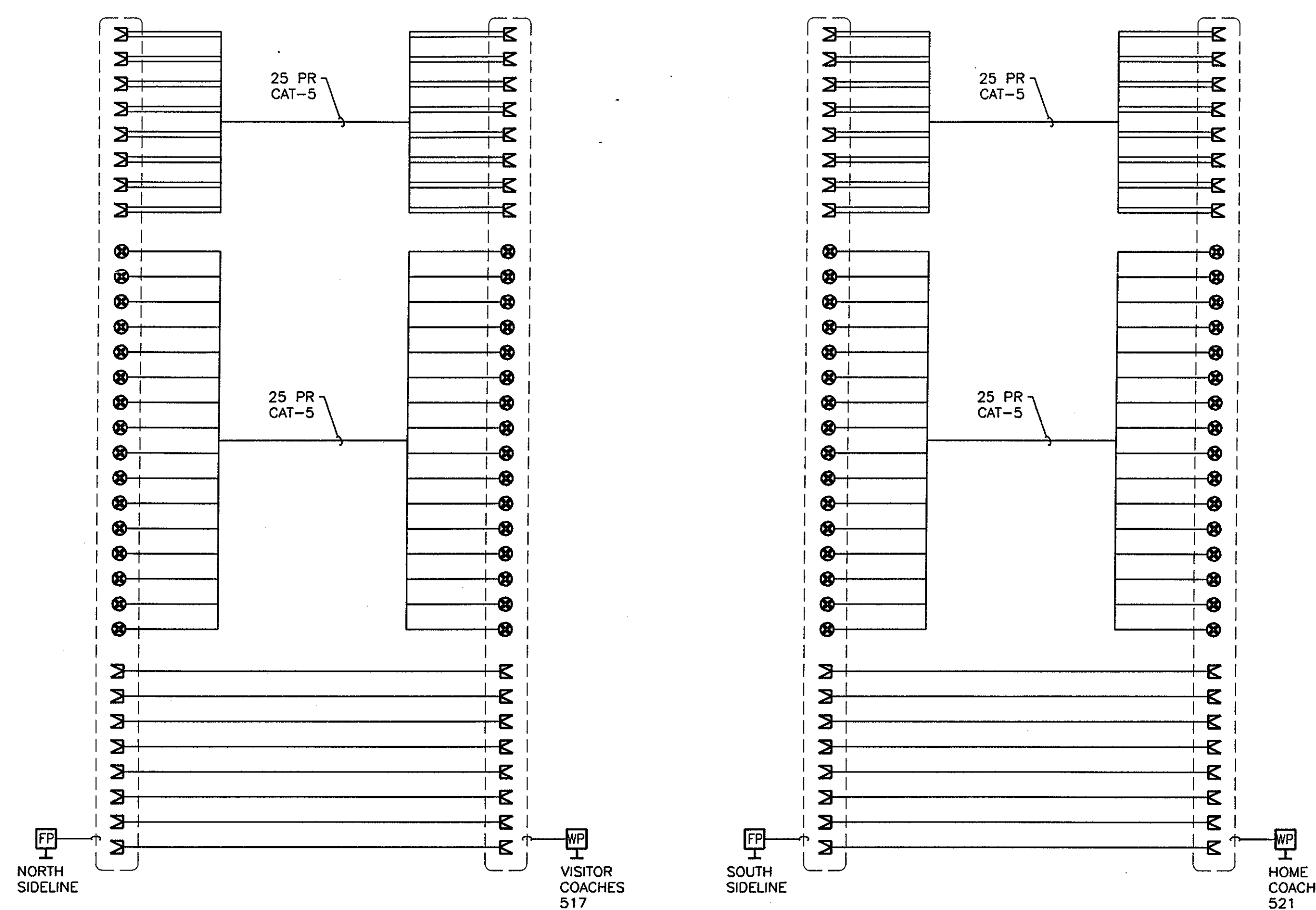
© 2003 Ellerbe Becket

SOUND REINFORCEMENT CONTROL ROOM WIRING

Date: 08.30.03 Comm. No. 1013.0002.00
In Charge: GLM RECORD DOCUMENTS
Drawn By: PMK
Checked By: TDL

SR2.01

1 BLOCK DIAGRAM - AUDIO HEADEND
SR201 SCALE: NO SCALE

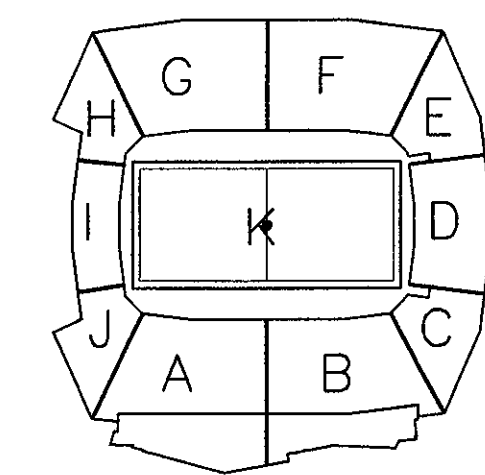


1 DETAIL - COACHES INTERCOM TIE LINES
SR2.02 SCALE: NONE

THE STADIUM AT RENTSCHLER FIELD

- Owner
State of Connecticut
- Architect
Ellerbe Becket, Inc.
635 West 47th Street, Suite 200
Kansas City, MO 64112-1505
Telephone: 816.561.4443
Facsimile: 816.561.2963
- Structural Engineering
BVH Integrated Services
50 Griffin Road South
Bloomfield, CT 06002
Telephone: 860.296.9171
Facsimile: 860.242.0236
- Mechanical/Electrical Engineering
DTC
556 Washington Ave
North Haven, CT 06473
Telephone: 203.239.6200
Facsimile: 203.239.7376
- Civil Engineering/Traffic
Fuss & O'Neill
146 Hartford Road
Manchester, CT 06040-5521
Telephone: 860.662.2489
Facsimile: 860.662.6913
- Cost Analysis
F & C Consultants, Inc.
523 West Parkway, Suite 225
Kansas City, MO 64116
Telephone: 816.533.8377
Facsimile: 816.533.8256
- Acoustic/Visual
Pelton Marsh Kinsella
1420 W. Washington Lane, Suite 400
Dallas, TX 75247-4851
Telephone: 214.888.7444
Facsimile: 214.951.7408
- Landscape Design
CR3
371 Poppendale Street
Stamford, CT 06907
Telephone: 860.658.1988
Facsimile: 860.658.1217
- Pool Service
The Bigelow Companies
1575 Unholland Avenue, Suite 156
Kansas City, MO 64120
Telephone: 816.483.5553
Facsimile: 816.483.5510
- Geotechnical
GZA GeoEnvironmental
27 Main Road
Vernon, CT 06065
Telephone: 860.875.3555
Facsimile: 860.872.2416
- Security
Safesecure Network
17 E Rock Road
New Milford, CT 06776
Telephone: 860.354.7020
Facsimile: 860.354.7020
- Vertical Circulation
Syska & Hennessy
One Brimley, 16th Floor
Cambridge, MA 02142
Telephone: 617.577.8900
Facsimile: 617.577.9191
- Sports Trail
MST
1893 W. Kettle Avenue
Jupiter, FL 33424-4402
Telephone: 305.730.1440
Facsimile: 305.730.2627

THESE RECORD DOCUMENTS HAVE BEEN PREPARED BASED ON INFORMATION SUPPLIED TO THE ARCHITECT/ENGINEER BY OTHERS. THE ARCHITECT/ENGINEER HAS NOT INDEPENDENTLY VERIFIED THE INFORMATION AND DISCLAIMS RESPONSIBILITY FOR THE ACCURACY AND COMPLETENESS THEREOF. THESE DRAWINGS ARE FOR REFERENCE ONLY AND ARE NOT TO BE USED FOR CONSTRUCTION WITHOUT DRAWINGS AND CALCULATIONS SPECIFICALLY PREPARED FOR ANY INTENDED ADDITIONAL WORK.



ELLERBE BECKET

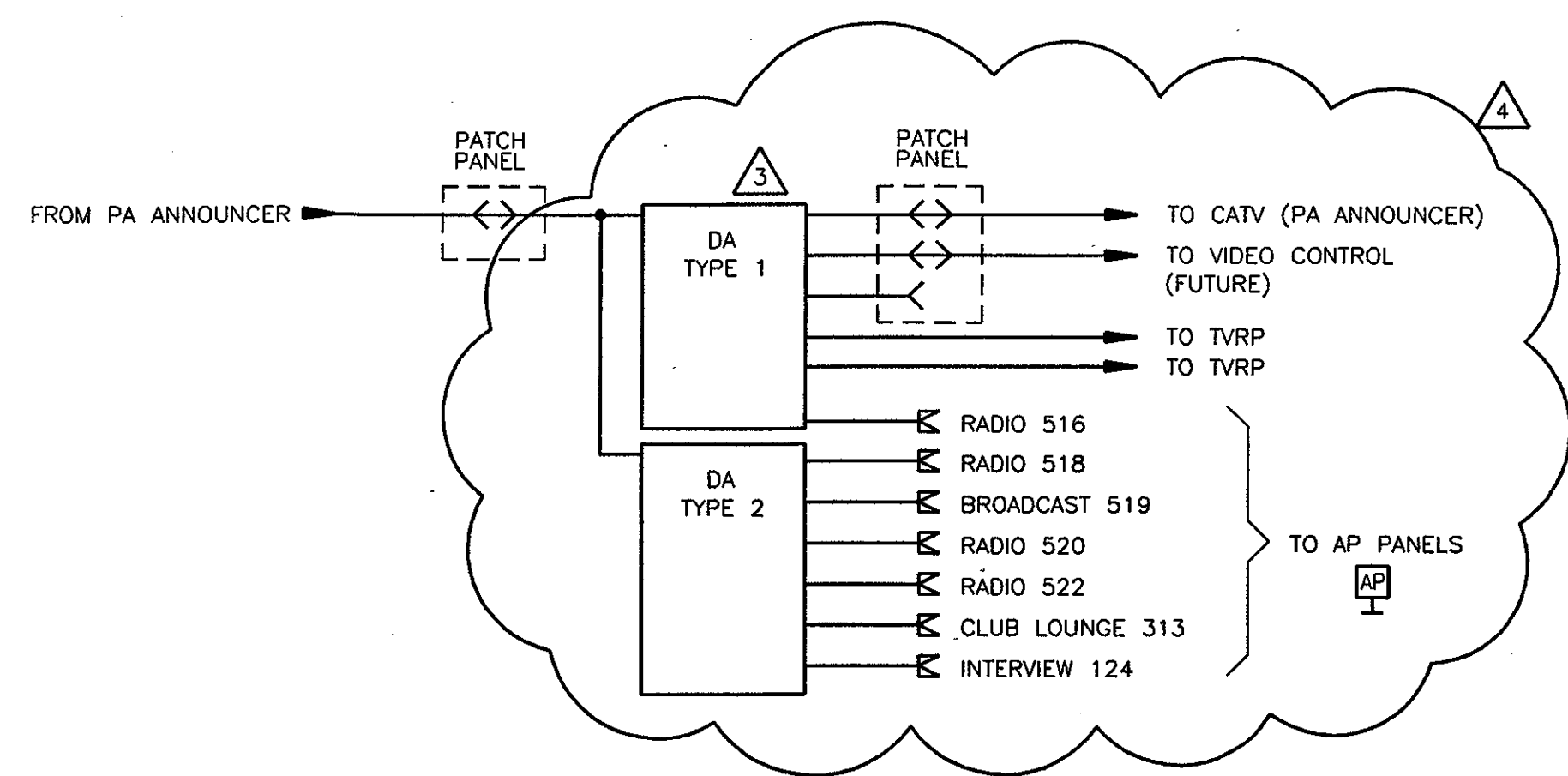


4600 Madison Avenue
Suite 1000
Kansas City, MO 64112
816 561 4443

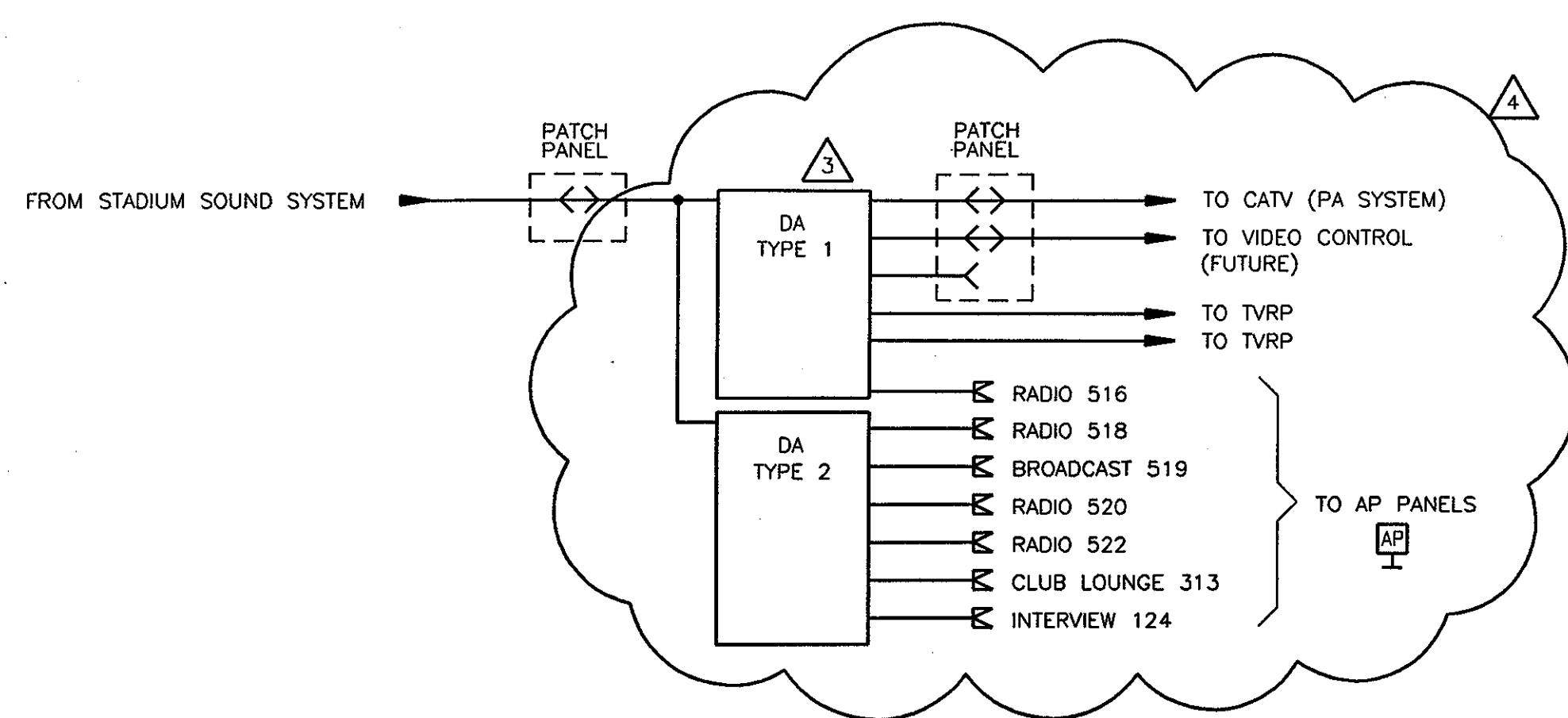
© 2003 Ellerbe Becket

SOUND REINFORCEMENT
COACHES INTERCOM
TIELINES

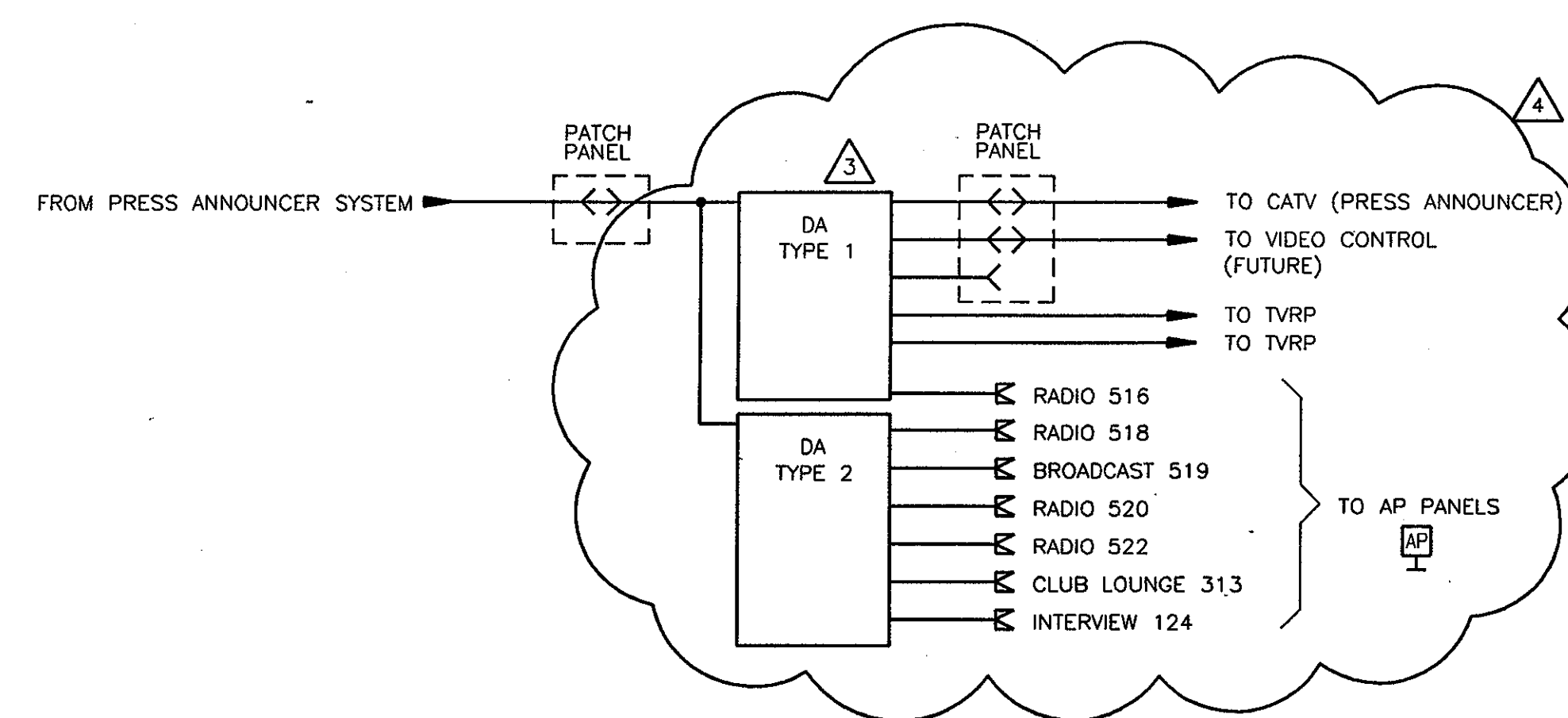
Date 08.30.03 Comm. No. 1013.0002.00
In Charge GLM RECORD DOCUMENTS
Drawn By PMK
Checked By TDL **SR2.02**



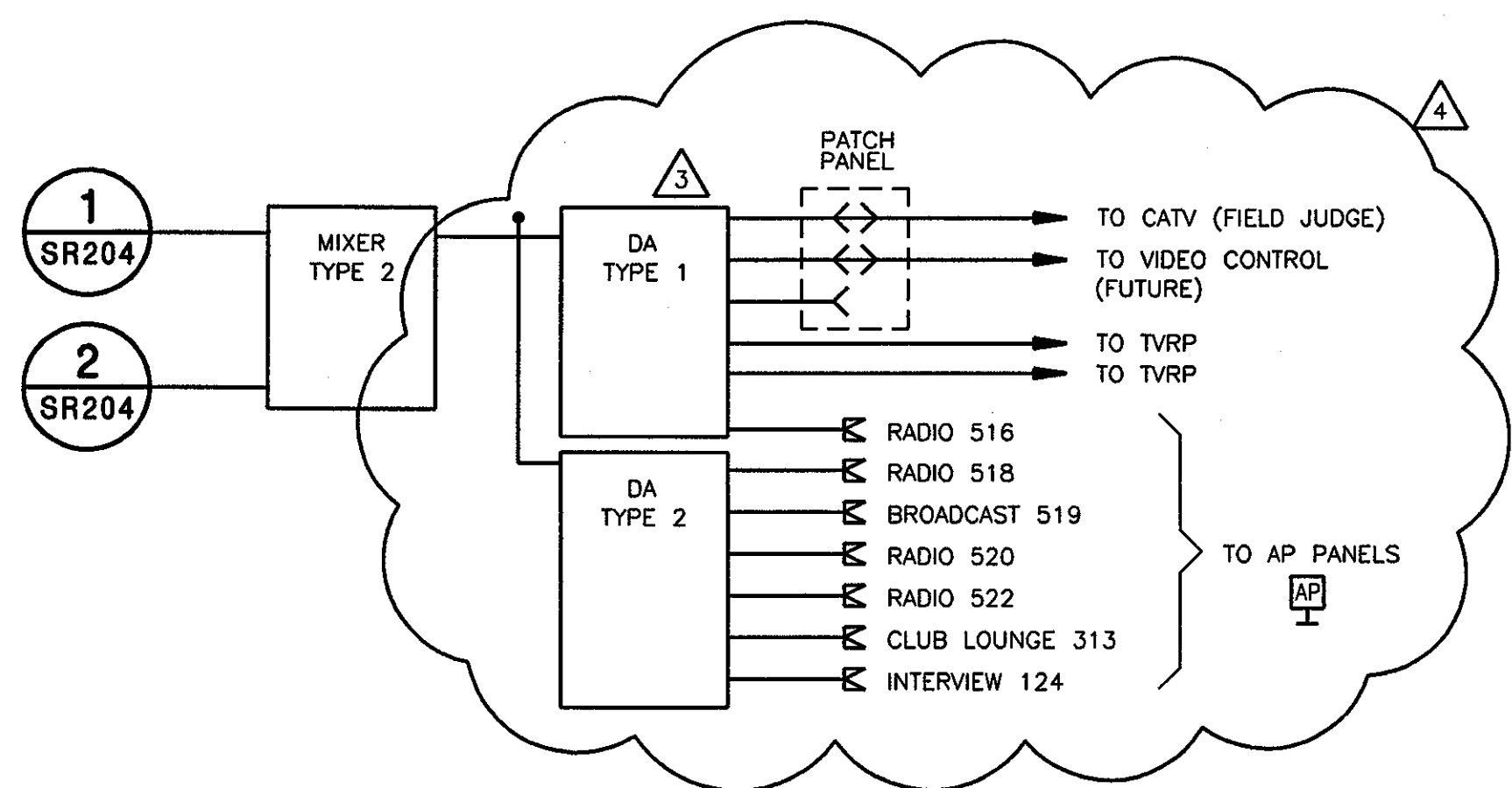
1 PA ANNOUNCER DISTRIBUTION DIAGRAM
SR204 SCALE: NONE



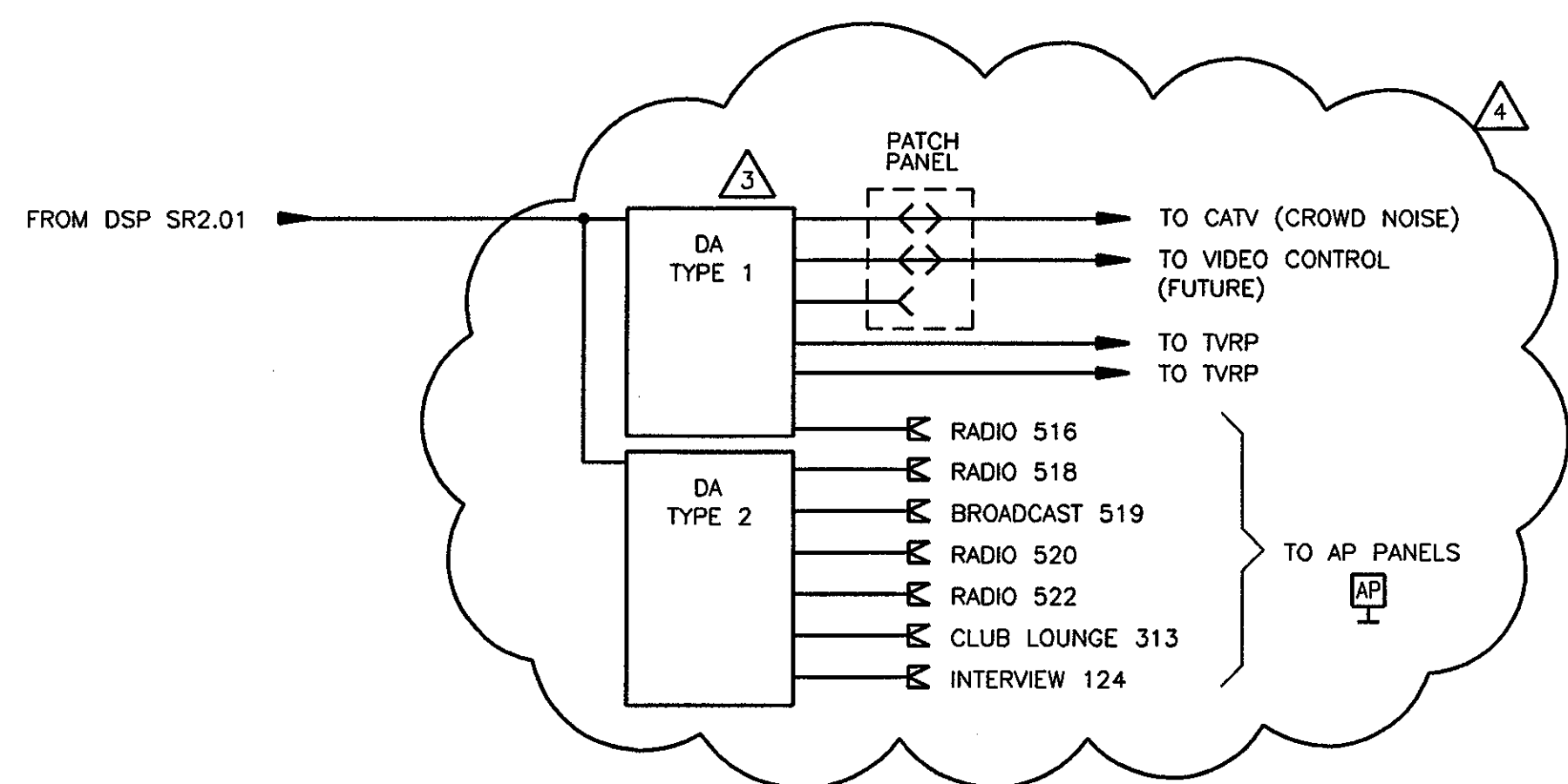
2 PA SYSTEM DISTRIBUTION DIAGRAM
SR204 SCALE: NONE



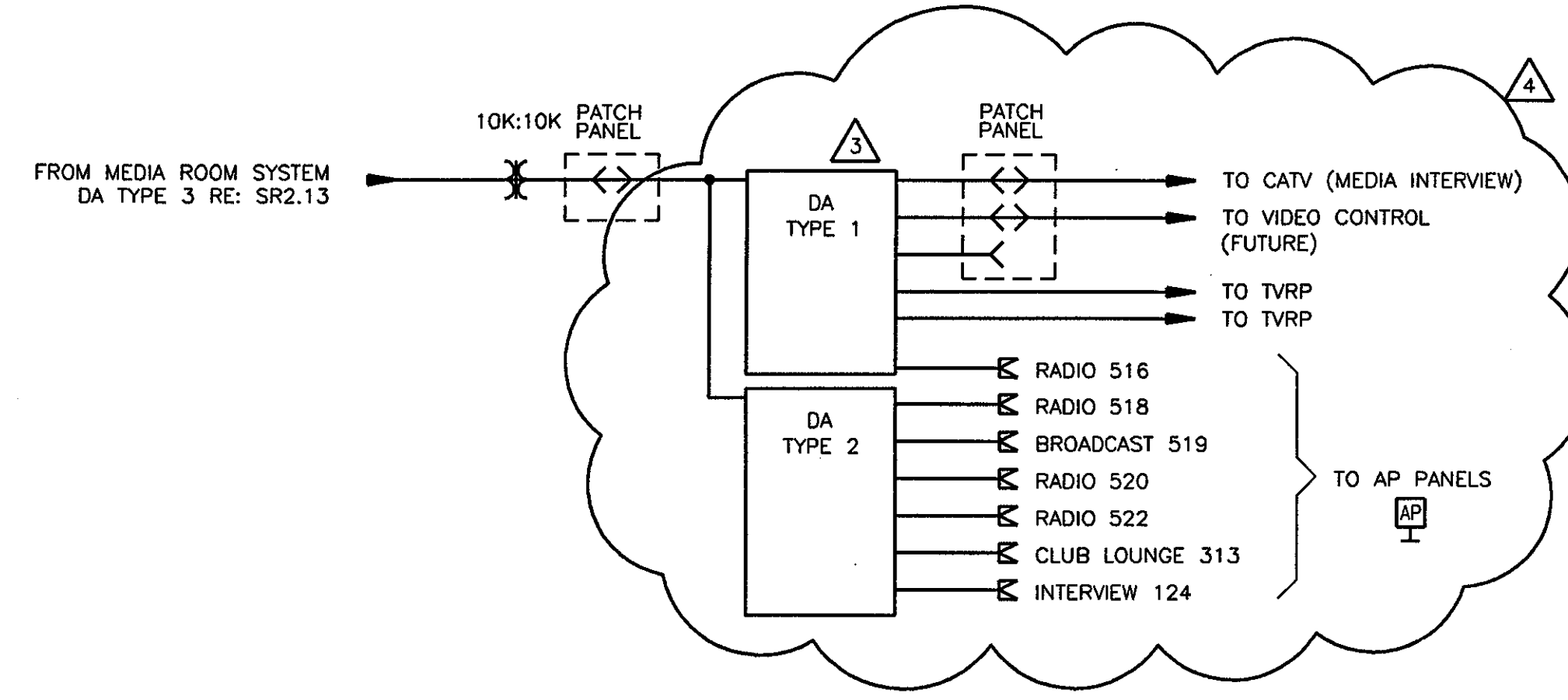
3 PRESS ANNOUNCER DISTRIBUTION DIAGRAM
SR204 SCALE: NONE



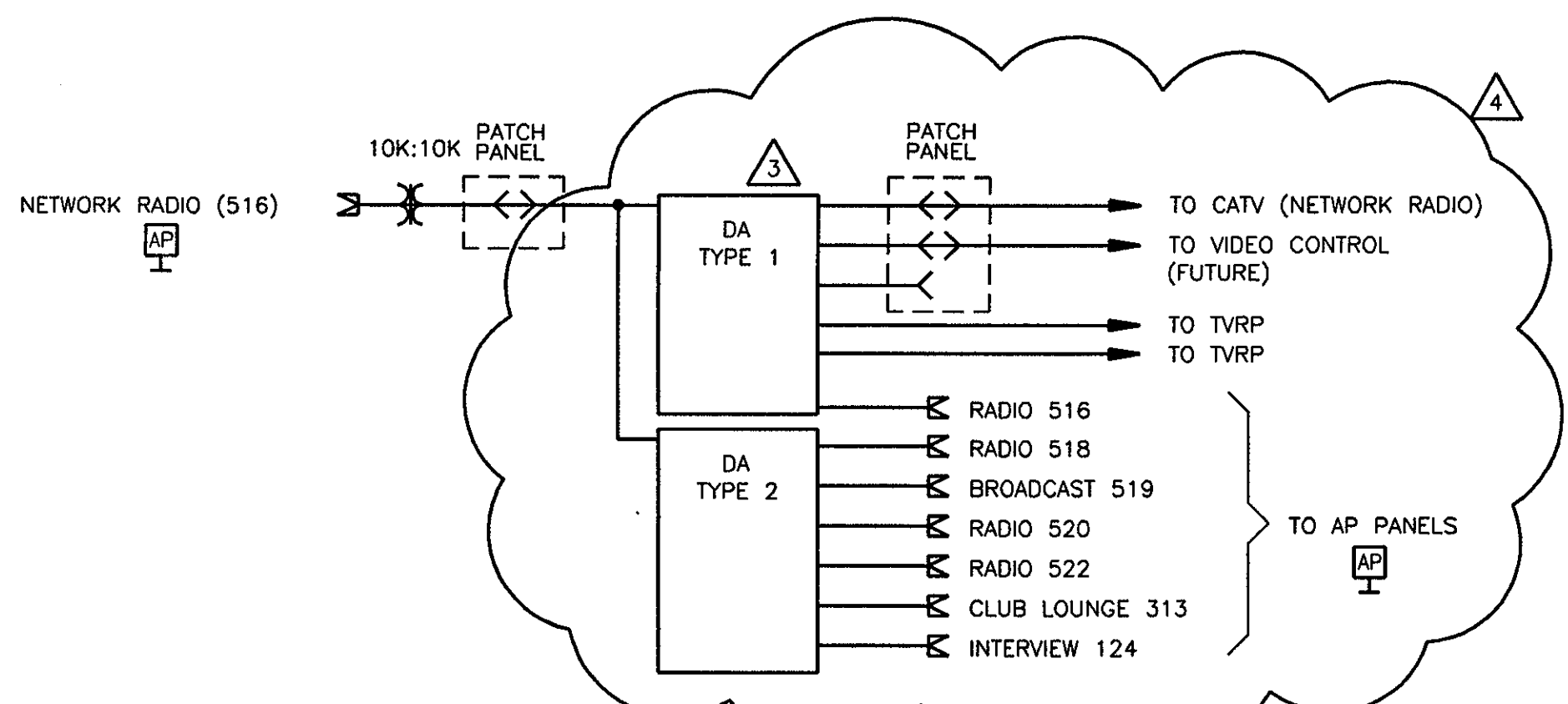
4 FIELD JUDGE WIRELESS DISTRIBUTION DIAGRAM
SR204 SCALE: NONE



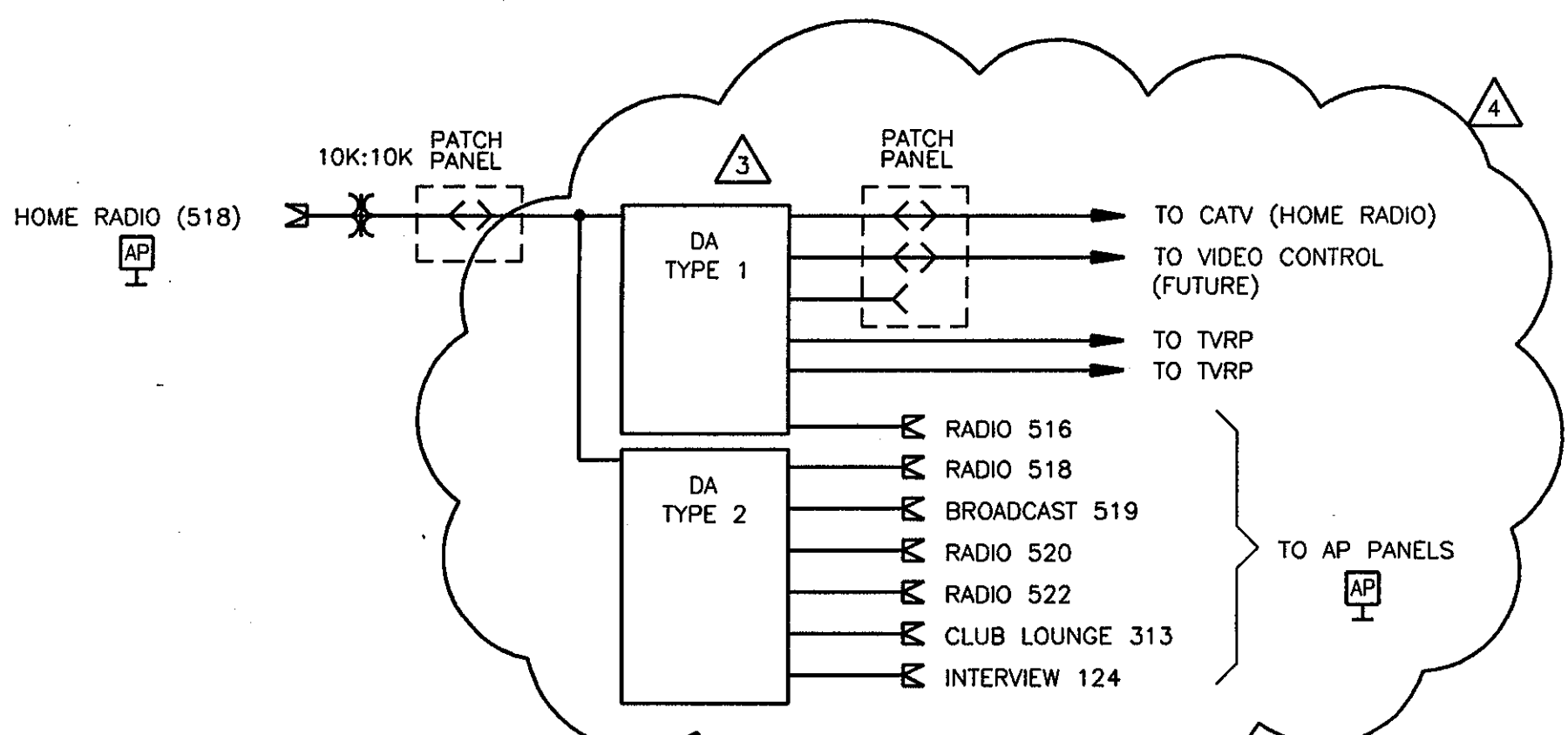
5 CROWD NOISE DISTRIBUTION DIAGRAM
SR204 SCALE: NONE



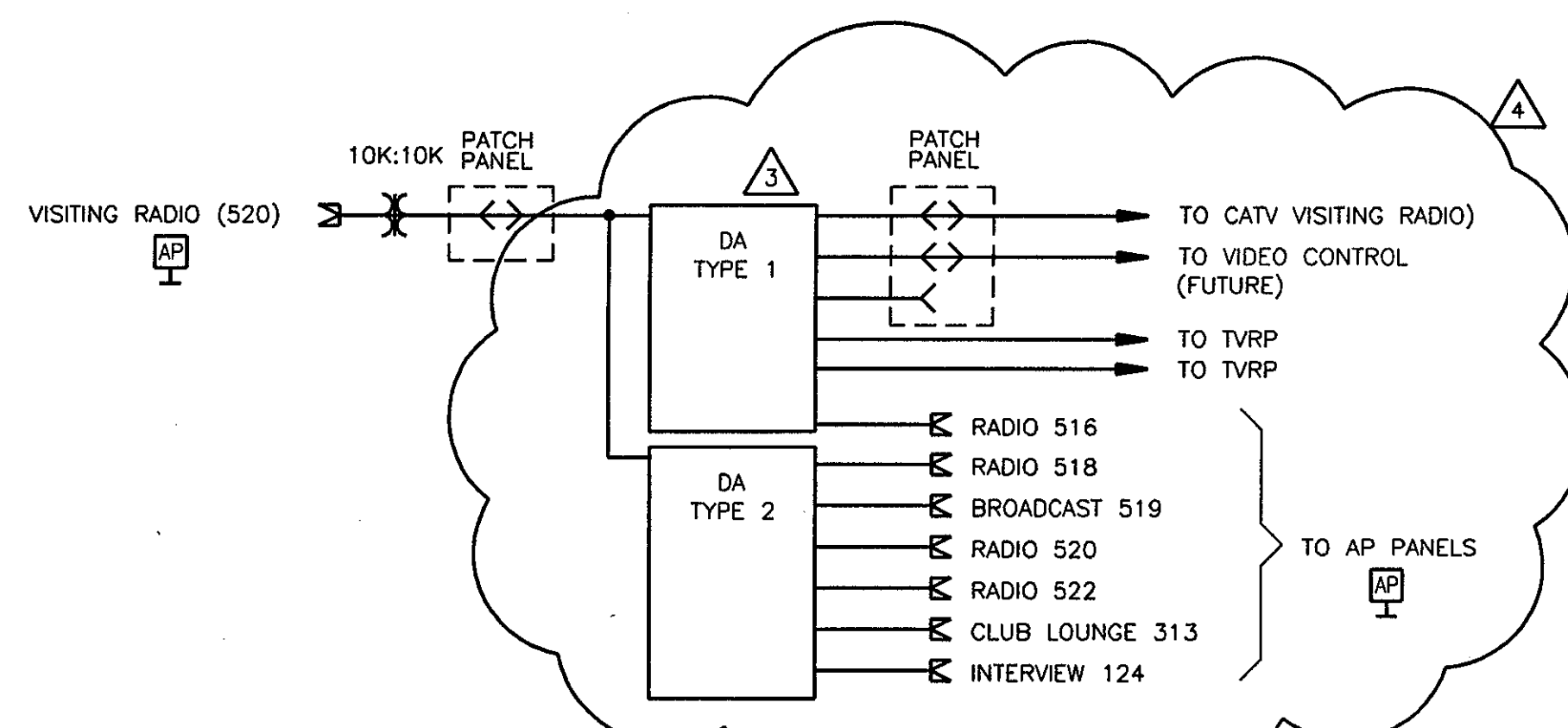
6 MEDIA INTERVIEW ROOM DISTRIBUTION DIAGRAM
SR204 SCALE: NONE



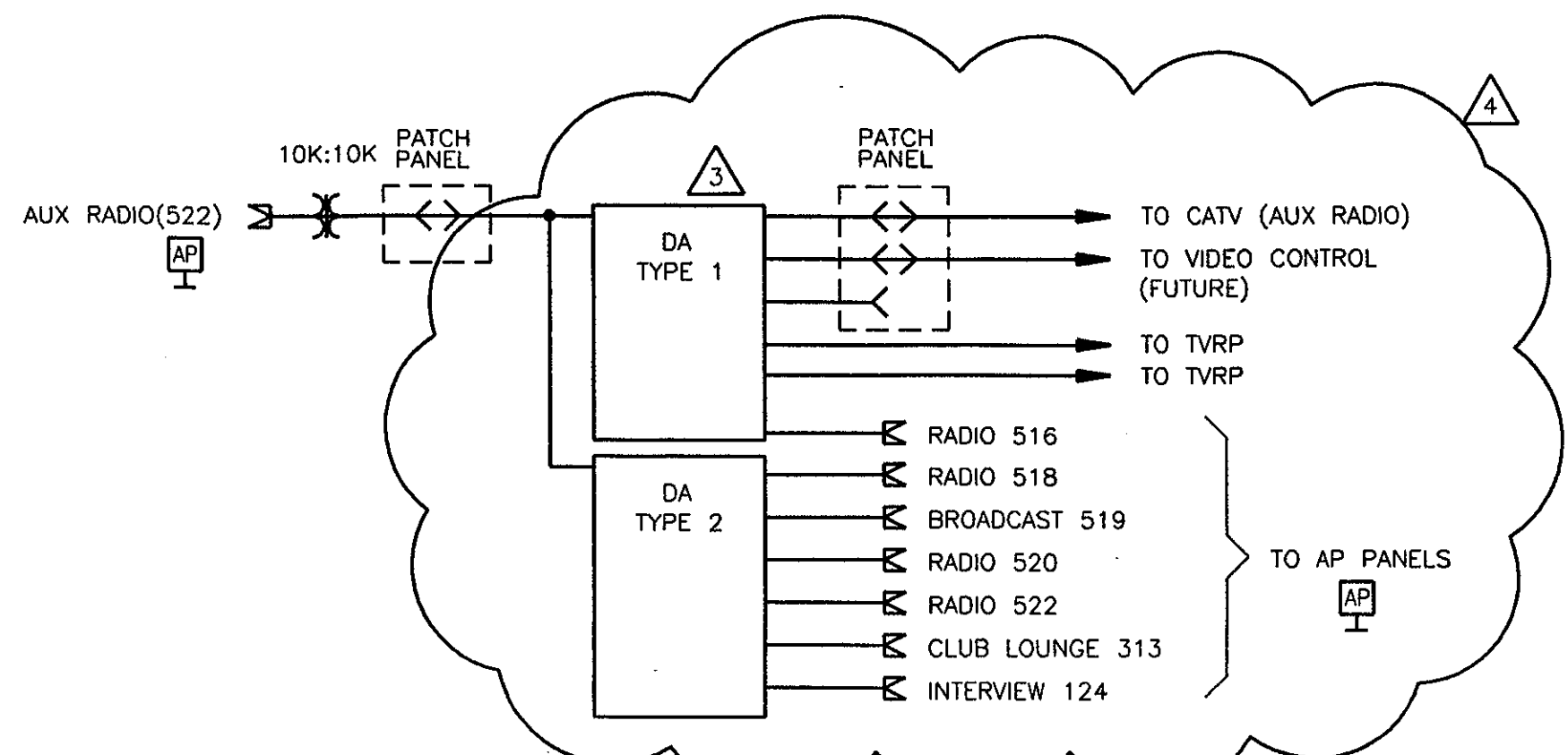
7 NETWORK RADIO DISTRIBUTION DIAGRAM
SR204 SCALE: NONE



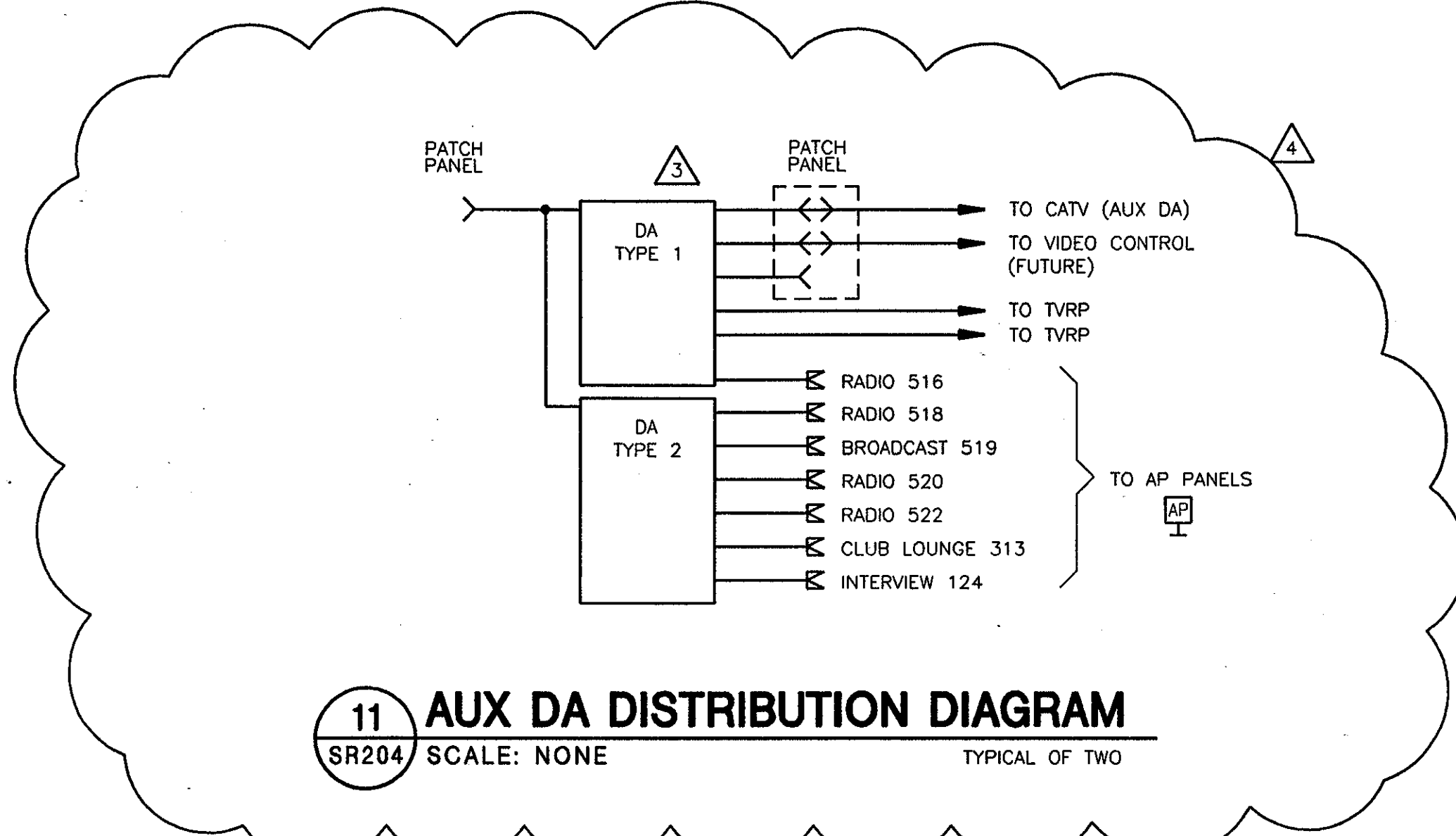
8 HOME RADIO DISTRIBUTION DIAGRAM
SR204 SCALE: NONE



9 VISITING RADIO DISTRIBUTION DIAGRAM
SR204 SCALE: NONE



10 AUX RADIO DISTRIBUTION DIAGRAM
SR204 SCALE: NONE



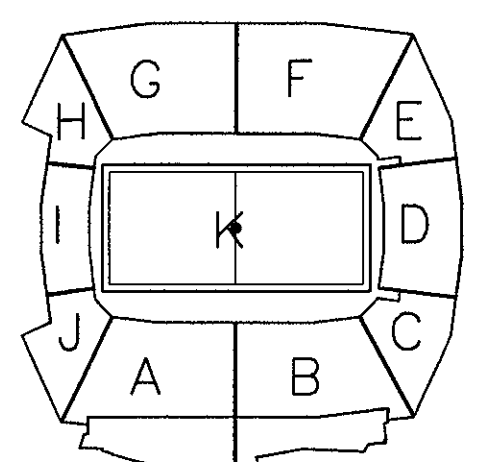
11 AUX DA DISTRIBUTION DIAGRAM
SR204 SCALE: NONE TYPICAL OF TWO

Revision	Date	No.
11-20-01		ASI #078
4-18-01		REVISION

THE STADIUM AT RENTSCHLER FIELD

- Owner: State of Connecticut
- Architect: **Ellerbe Becket, Inc.**
605 West 47th Street, Suite 200
Kansas City, MO 64112-1955
Telephone: 816.888.4403
Facsimile: 816.881.2803
- Landscaping Design: **CR3**
571 Highwood Street
Stamford, CT 06907
Telephone: 860.683.1988
Facsimile: 860.683.1217
- Structural Engineering: **BVH Integrated Services**
51 Griffin Road, Suite 100
Bloomfield, CT 06002
Telephone: 860.295.9171
Facsimile: 860.421.8236
- Food Service: **The Bigelow Companies**
1375 Lincoln Avenue, Suite 135
Stamford, CT 06907
Telephone: 816.482.5533
Facsimile: 816.482.5510
- Mechanical/Electrical Engineering: **DTC**
256 Washington Ave
North Haven, CT 06457
Telephone: 203.239.6200
Facsimile: 203.234.7275
- Geotechnical: **GZA GeoEnvironmental**
27 Hook Road
Vernon, CT 06065
Telephone: 860.872.3155
Facsimile: 860.872.2416
- Oil Engineering/Traffic: **Fuss & O'Neill**
140 Hartford Road
Manchester, CT 06040-2821
Telephone: 860.646.2469
Facsimile: 860.645.6713
- Security: **Safesecure Network**
17 E. Rock Road
New Milford, CT 06776
Telephone: 860.354.7020
Facsimile: 860.354.7020
- Cable Analysis: **FP & C Consultants, Inc.**
5023 Wood Pathway, Suite 225
Kansas City, MO 64114
Telephone: 816.523.3377
Facsimile: 816.523.8256
- Vertical Circulation: **Syska & Hennessy**
One Broadway, 9th Floor
Cambridge, MA 02142
Telephone: 617.571.3900
Facsimile: 617.571.9191
- Audio/Visual: **Pelton Marsh Kirsella**
1421 W. Washington Ave, Suite 400
Dallas, TX 75247-0551
Telephone: 214.688.7446
Facsimile: 214.691.7408
- Specialist: **MST**
1800 W. 60th Avenue
Denver, CO 80120-4402
Telephone: 303.738.1440
Facsimile: 303.738.2627

THESE RECORD DOCUMENTS HAVE BEEN PREPARED BASED ON INFORMATION SUPPLIED TO THE ARCHITECT/ENGINEER BY OTHERS. THE ARCHITECT/ENGINEER HAS NOT INDEPENDENTLY VERIFIED THE INFORMATION AND DISCLAIMS RESPONSIBILITY FOR THE ACCURACY AND COMPLETENESS THEREOF. THESE DRAWINGS ARE FOR REFERENCE ONLY AND ARE NOT TO BE USED FOR CONSTRUCTION WITHOUT DRAWINGS AND CALCULATIONS SPECIFICALLY PREPARED FOR ANY INTENDED ADDITIONAL WORK.



ELLERBE BECKET

4600 Madison Avenue
Suite 1000
Kansas City, MO 64112
816 561 4443

Ellerbe Becket, Inc.
Telephone: 816.888.4403
Facsimile: 816.881.2803

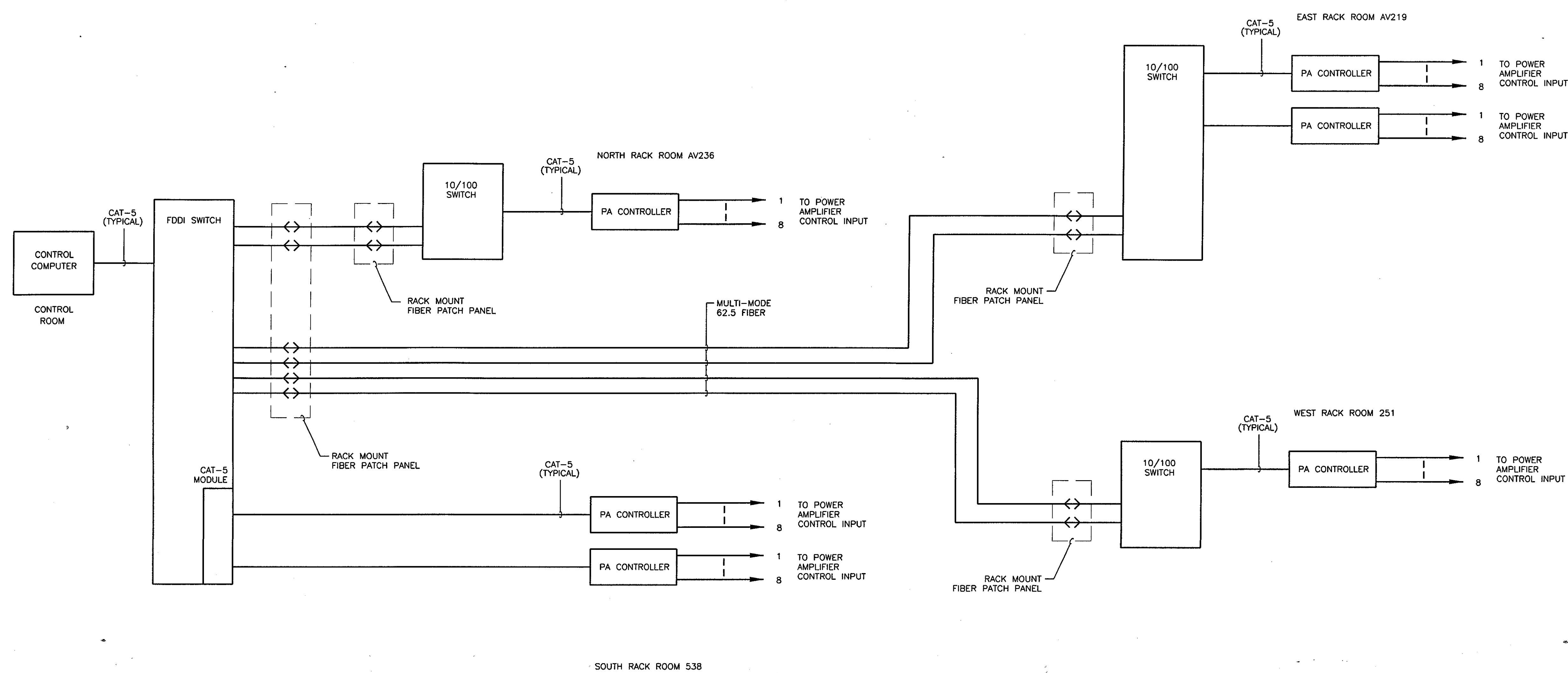
© 2003 Ellerbe Becket

SOUND REINFORCEMENT AUDIO DISTRIBUTION

Scale: _____

Date	08.30.03	Comm. No.	1013.0002.00
In Charge	GLM	RECORD DOCUMENTS	
Drawn By	PMK		
Checked By	TDL		

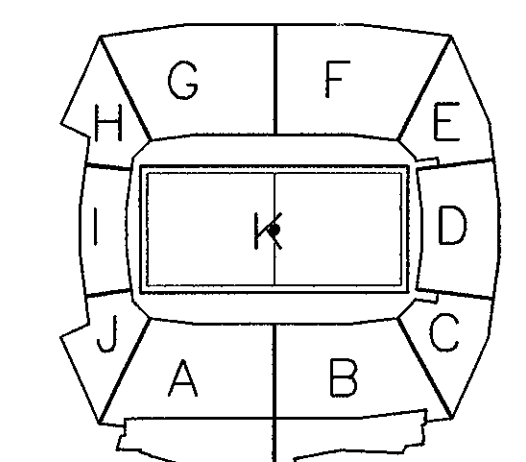
SR2.04



1 DETAIL - AMPLIFIER CONTROL NETWORK
 SR206 SCALE: NO SCALE

- Owner**
 State of Connecticut
- Architect**
 Ellerbe Becket, Inc.
 400 West 47th Street, Suite 200
 Kansas City, MO 64112-1905
 Telephone: 816.581.4443
 Facsimile: 816.581.2863
- Landscaping Design**
 CR3
 571 Hagerman Street
 Shelton, CT 06484
 Telephone: 860.683.1288
 Facsimile: 860.683.1217
- Structural Engineering**
 BVH Integrated Services
 50 Central Road, Suite 200
 Bloomfield, CT 06002
 Telephone: 860.298.9171
 Facsimile: 860.242.0226
- Food Service**
 The Bigelow Companies
 1570 Universal Avenue, Suite 155
 Kansas City, MO 64120
 Telephone: 816.483.5553
 Facsimile: 816.483.5510
- Mechanical/Electrical Engineering**
 DTC
 556 Washington Ave
 North Haven, CT 06457
 Telephone: 203.239.0200
 Facsimile: 203.234.7376
- Genetical**
 GZA GeoEnvironmental
 27 Hook Road
 Vernon, CT 06066
 Telephone: 860.875.7655
 Facsimile: 860.872.2416
- Old Engineering/IT/ITC**
 Fuss & O'Neill
 140 Bedford Road
 Meriden, CT 06040-5221
 Telephone: 860.666.2469
 Facsimile: 860.662.6513
- Security**
 Safesecure Network
 17 E. Rock Road
 New Milford, CT 06776
 Telephone: 860.354.7020
 Facsimile: 860.354.7020
- Cable Analysis**
 F.P. & C Consultants, Inc.
 5233 Wood Parkway, Suite 225
 Kansas City, MO 64114
 Telephone: 816.523.3377
 Facsimile: 816.523.8256
- Vertical Circulation**
 Syska & Hennessey
 One Brookline, 9th Floor
 Cambridge, MA 02142
 Telephone: 617.571.9200
 Facsimile: 617.571.9191
- Acoustic/Visual**
 Pelton Marsh Kinsella
 1431 W. Montegut Lane, Suite 400
 Dallas, TX 75247-4591
 Telephone: 214.698.7444
 Facsimile: 214.691.7400
- Specialty**
 MST
 1801 N. Rock Avenue
 Upland, CO 80130-4402
 Telephone: 303.730.1440
 Facsimile: 303.730.2627

THESE RECORD DOCUMENTS HAVE BEEN PREPARED BASED ON INFORMATION SUPPLIED TO THE ARCHITECT/ENGINEER BY OTHERS. THE ARCHITECT/ENGINEER HAS NOT INDEPENDENTLY VERIFIED THE INFORMATION AND DISCLAIMS RESPONSIBILITY FOR THE ACCURACY AND COMPLETENESS THEREOF. THESE DRAWINGS ARE FOR REFERENCE ONLY AND ARE NOT TO BE USED FOR CONSTRUCTION WITHOUT DRAWINGS AND CALCULATIONS SPECIFICALLY PREPARED FOR ANY INTENDED ADDITIONAL WORK.



ELLERBE BECKET

4600 Madison Avenue
 Suite 1000
 Kansas City, MO 64112
 816 561 4443

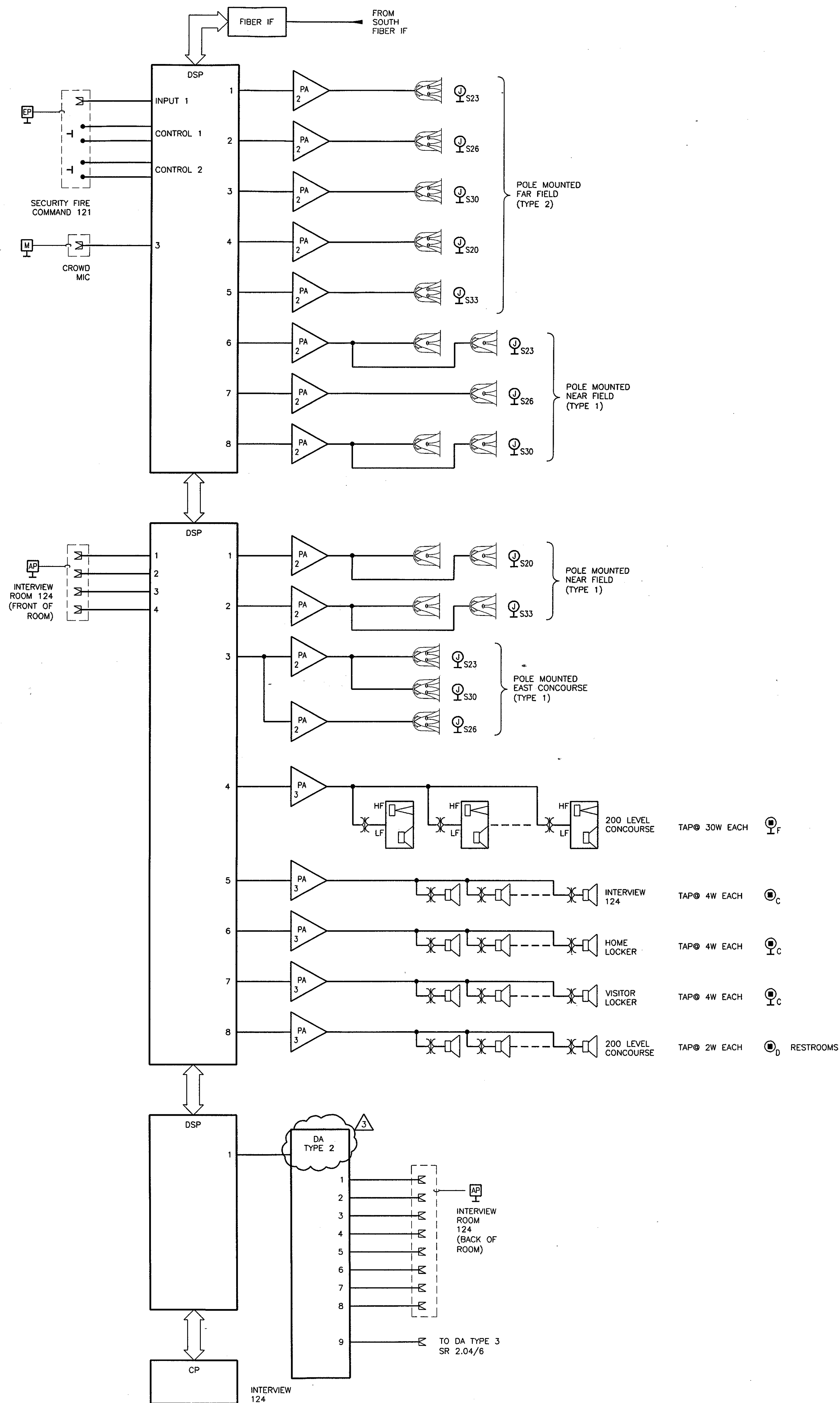
Ellerbe Becket, Inc.

© 2003 Ellerbe Becket

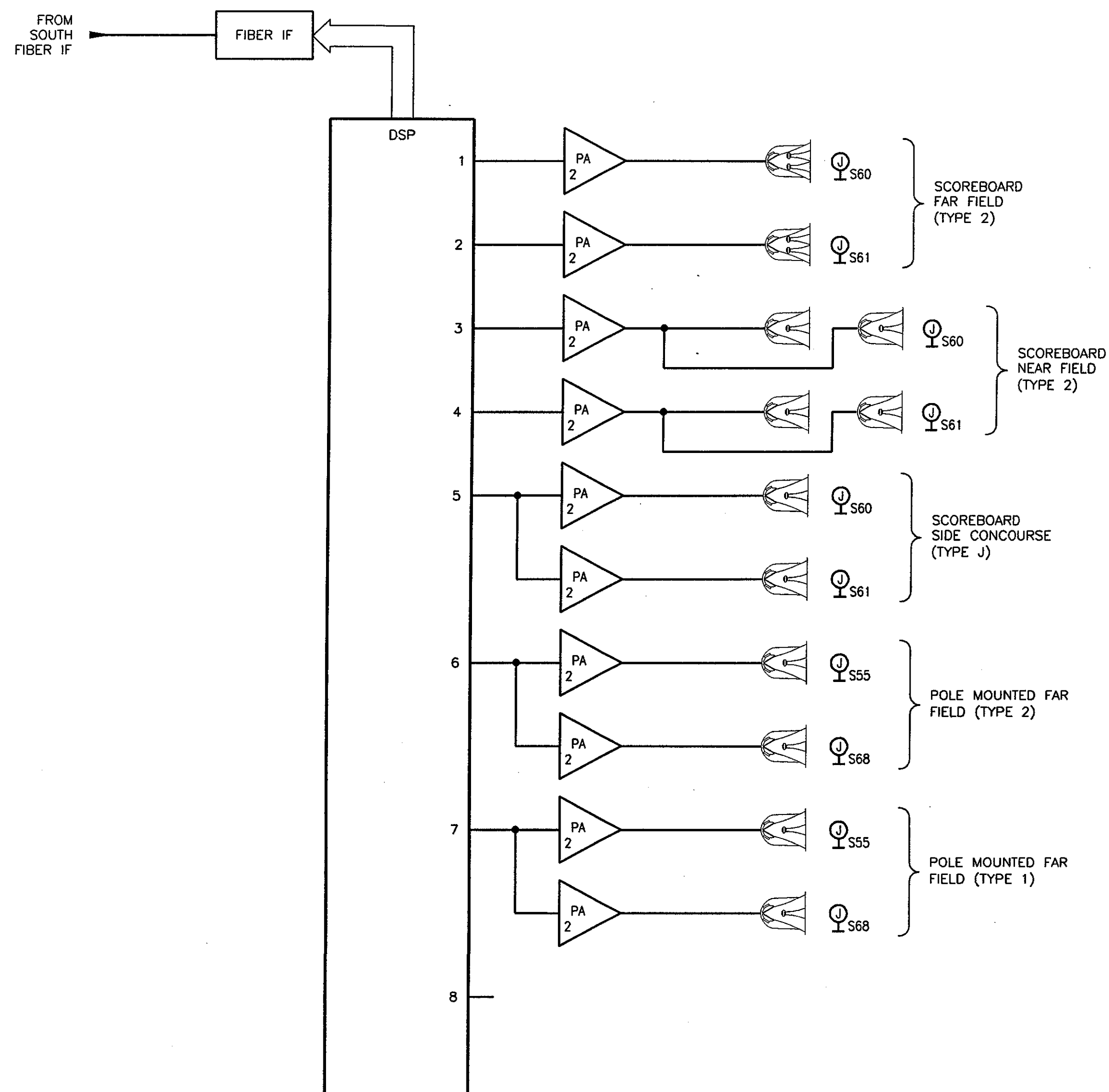
**SOUND REINFORCEMENT
 AMPLIFIER CONTROL
 NETWORK**
 Scale

Date 08.30.03 Comm. No. 1013.0002.00
 In Charge GLM RECORD DOCUMENTS
 Drawn By PMK
 Checked By TDL **SR2.06**

EAST RACK ROOM 219



WEST RACK ROOM 251
AT SCOREBOARD TOWER



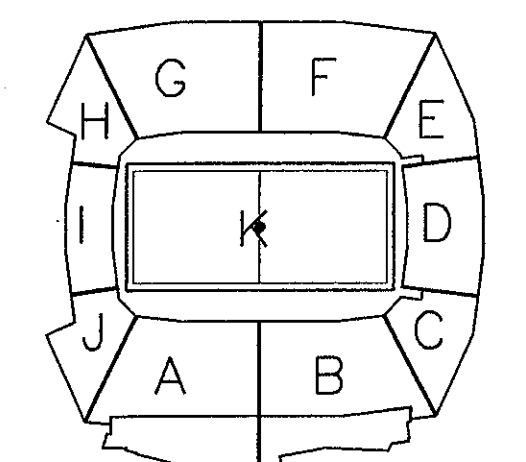
Revision Date No.

4-18-01 REVISION

THE STADIUM AT
RENTSCHLER FIELD

- Owner: State of Connecticut
- Architect: Ellerbe Becket, Inc. CR3
- Structural Engineering: BVH Integrated Services
- Mechanical/Electrical Engineering: DTC
- Code Analysis: F & C Consultants, Inc.
- Auditory/Visual: Pelton Marsh Kinsella
- Landscaper Design: CR3
- Roof Service: The Bigelow Companies
- Geotechnical: GZA GeoEnvironmental
- Security: Safesecure Network
- Syska & Hennessy
- Sports Turf: MST

THESE RECORD DOCUMENTS HAVE BEEN PREPARED BASED ON INFORMATION SUPPLIED TO THE ARCHITECT/ENGINEER BY OTHERS. THE ARCHITECT/ENGINEER HAS NOT INDEPENDENTLY VERIFIED THE INFORMATION AND DISCLAIMS RESPONSIBILITY FOR THE ACCURACY AND COMPLETENESS THEREOF. THESE DRAWINGS ARE FOR REFERENCE ONLY AND ARE NOT TO BE USED FOR CONSTRUCTION WITHOUT DRAWINGS AND CALCULATIONS SPECIFICALLY PREPARED FOR ANY INTENDED ADDITIONAL WORK.



ELLERBE BECKET

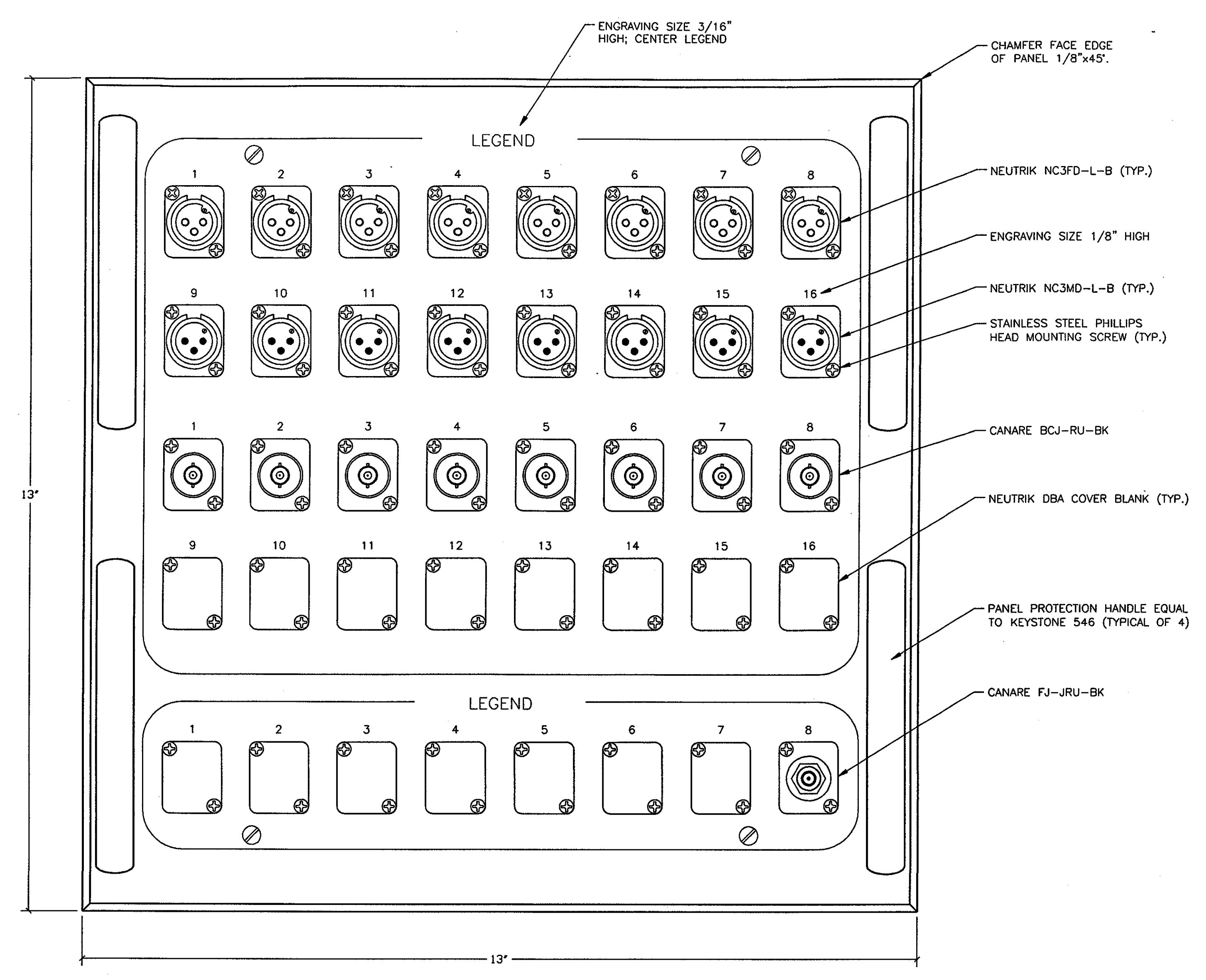
4600 Madison Avenue
Suite 1000
Kansas City, MO 64112
816 561 4443

© 2003 Ellerbe Becket

SOUND REINFORCEMENT
AUDIO BLOCK DIAGRAM
EAST/WEST

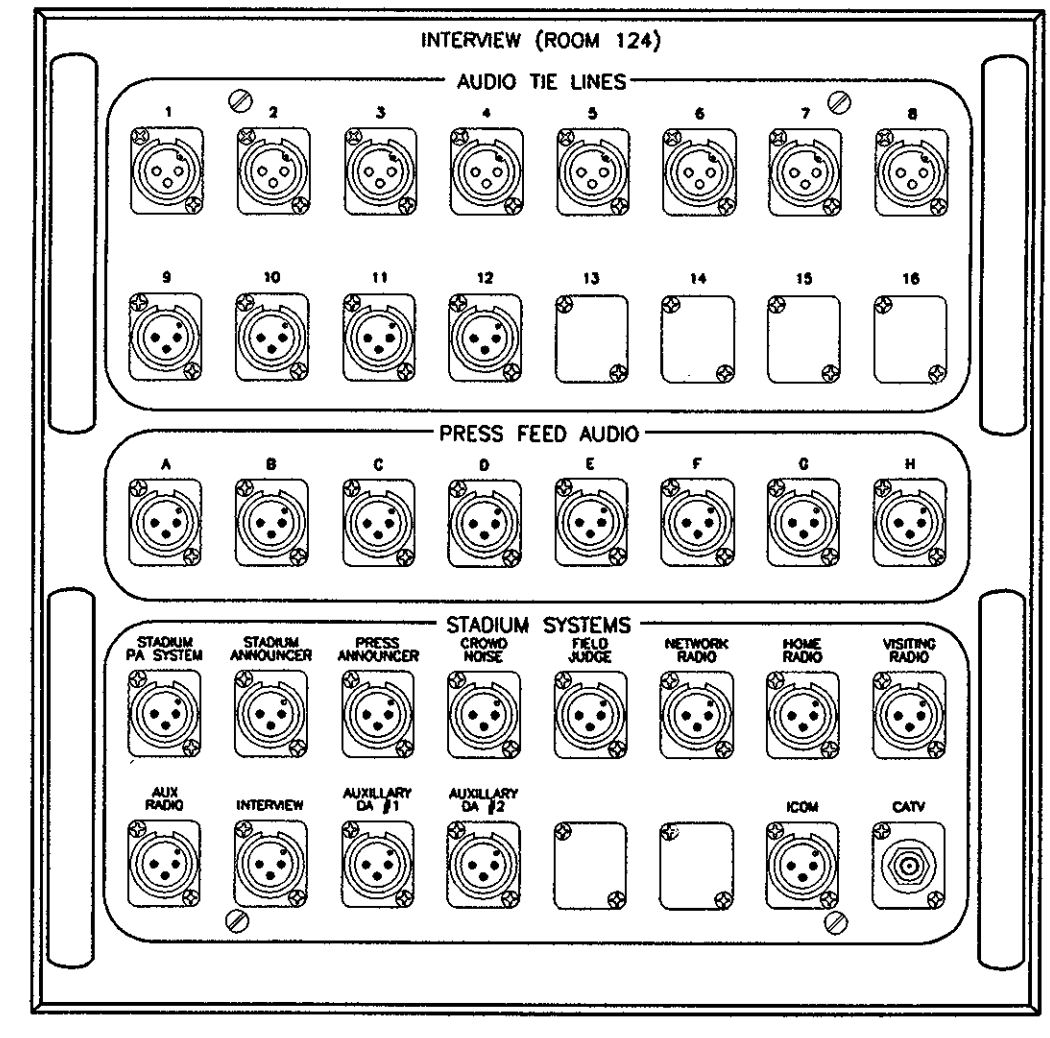
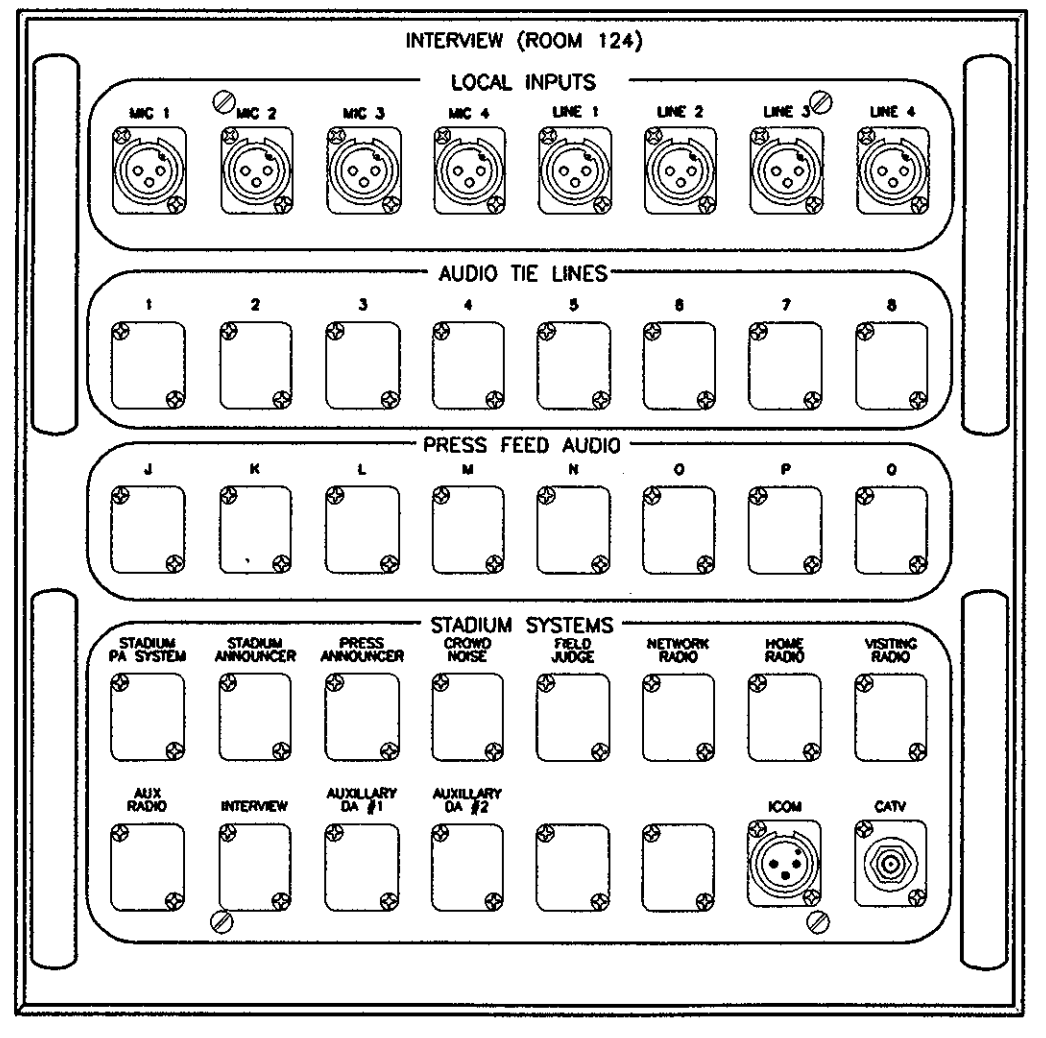
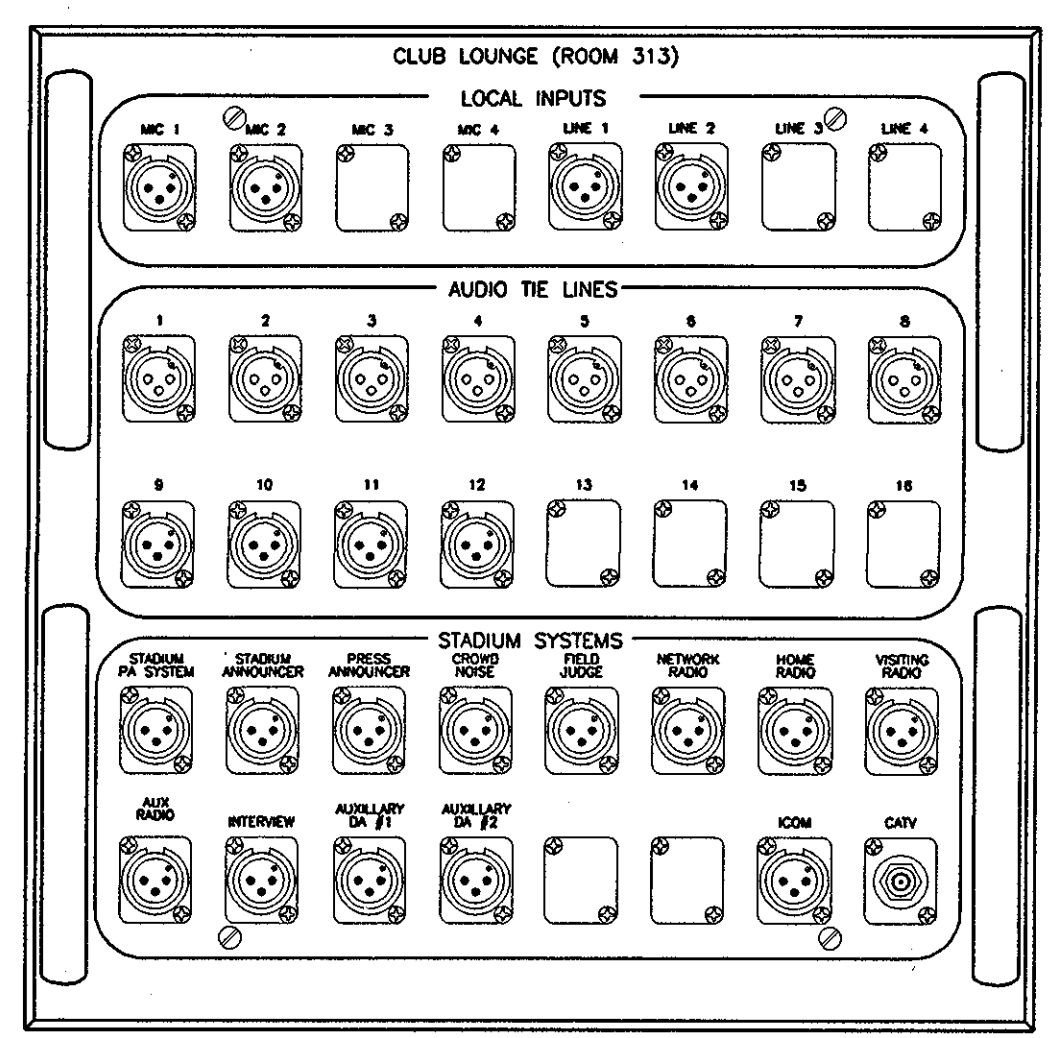
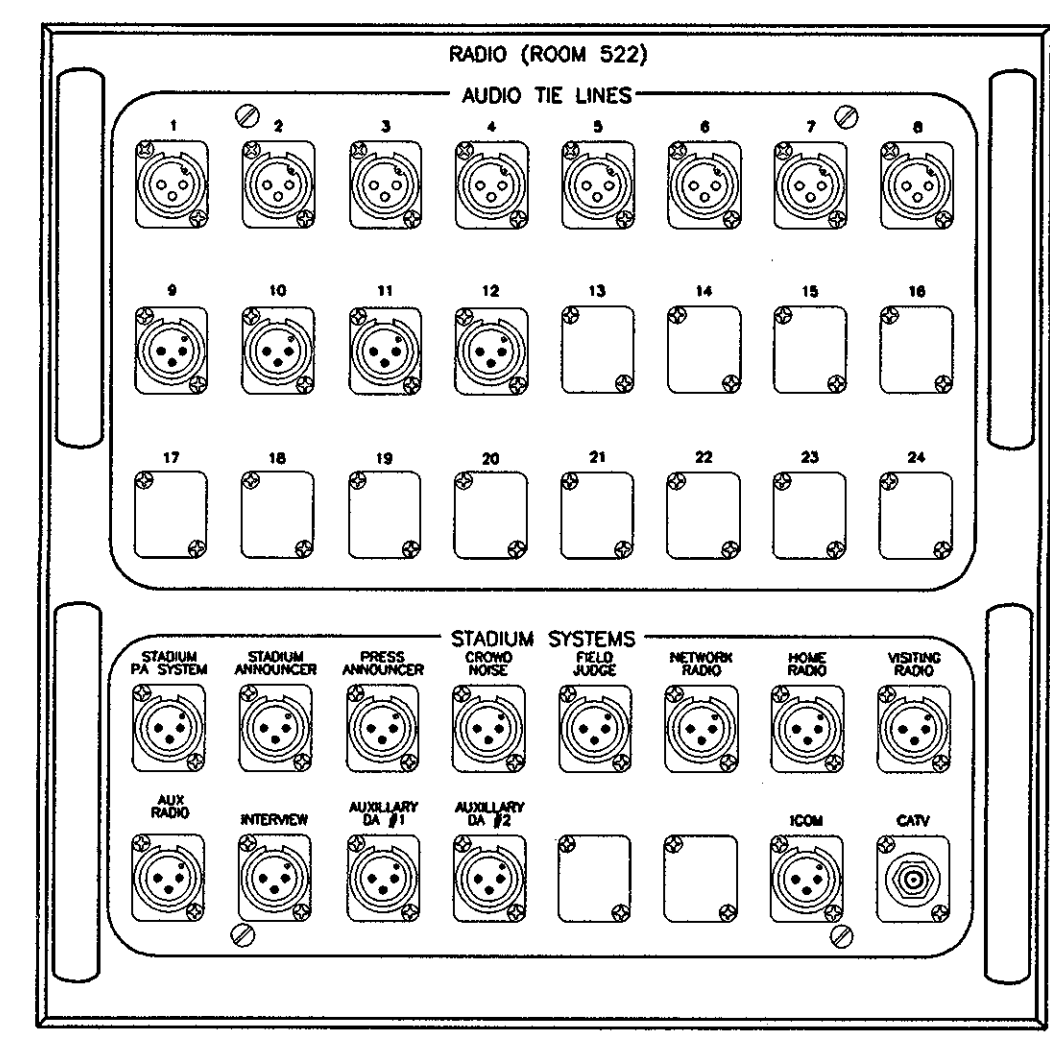
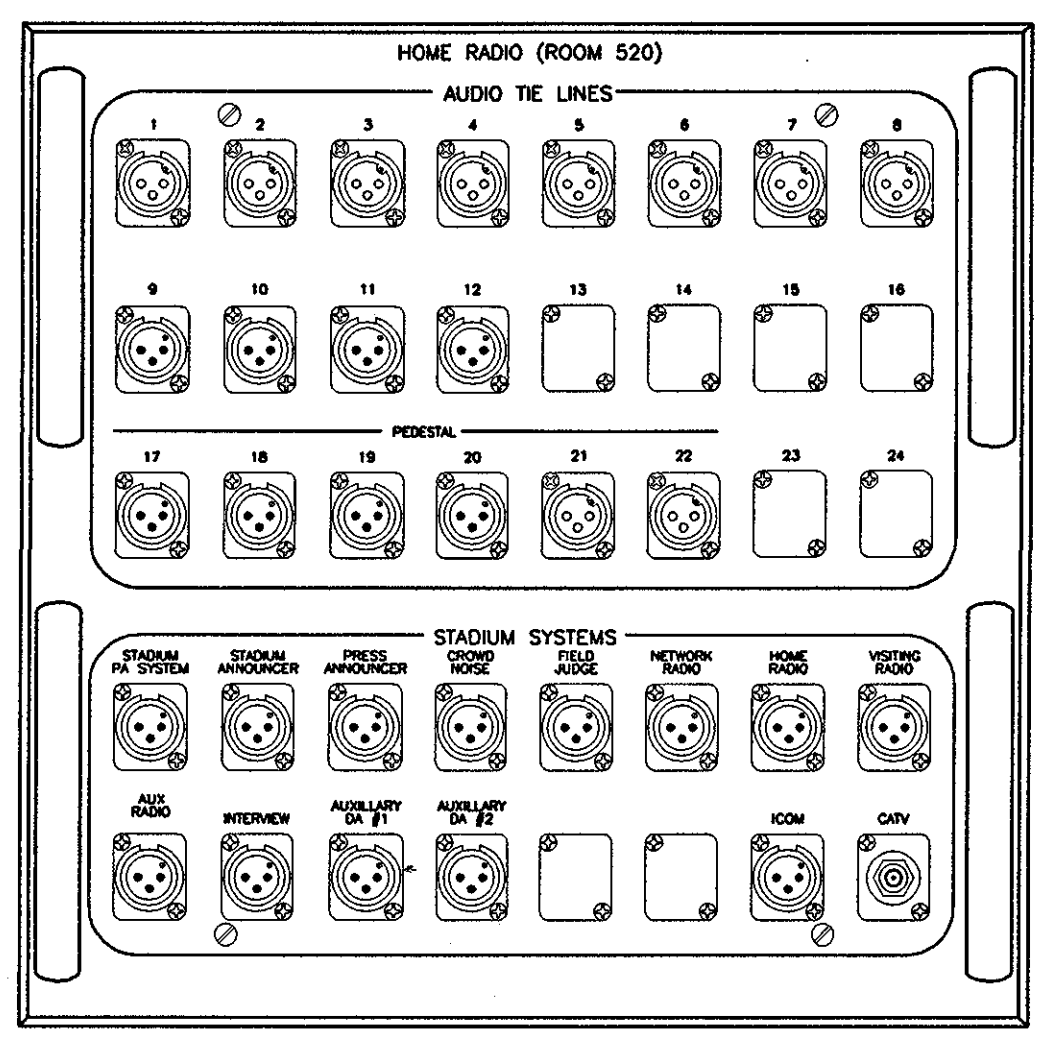
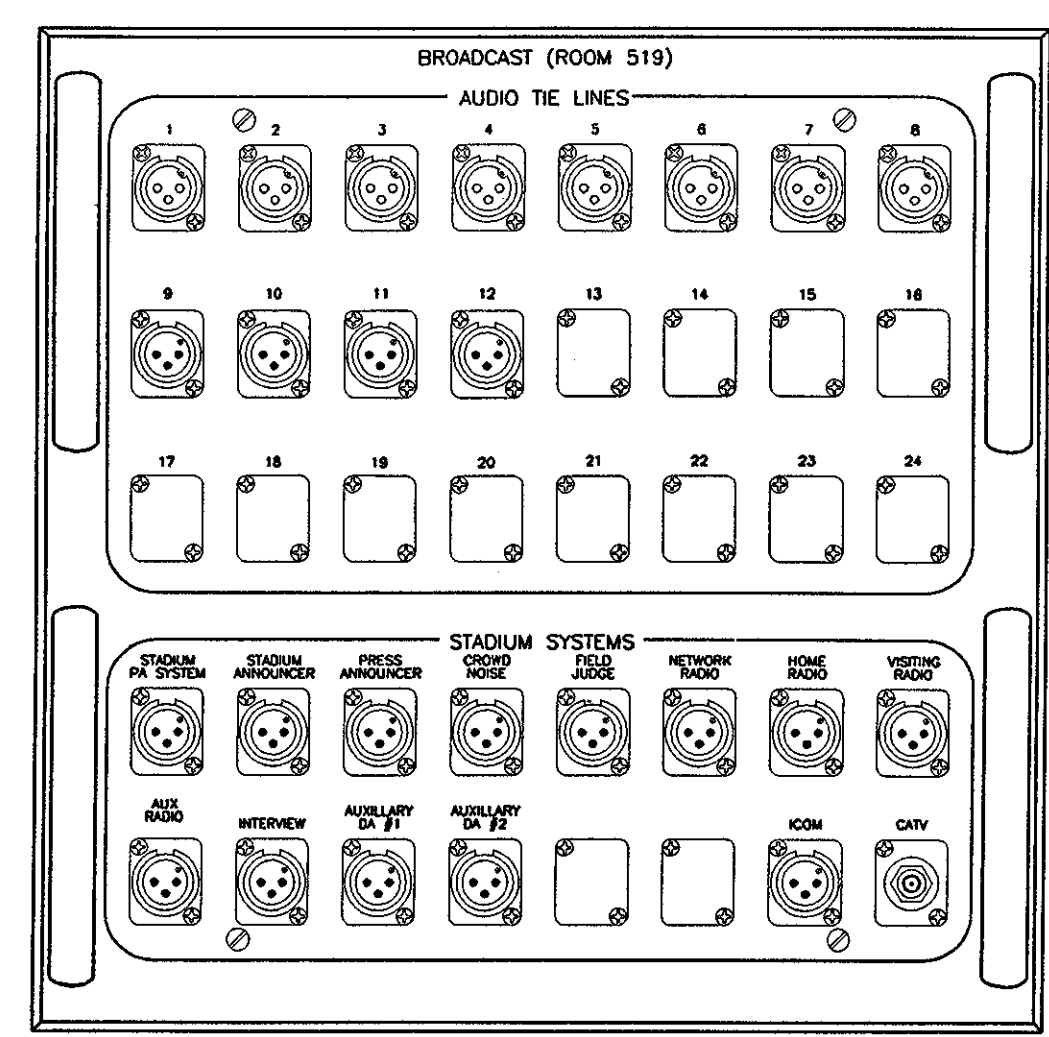
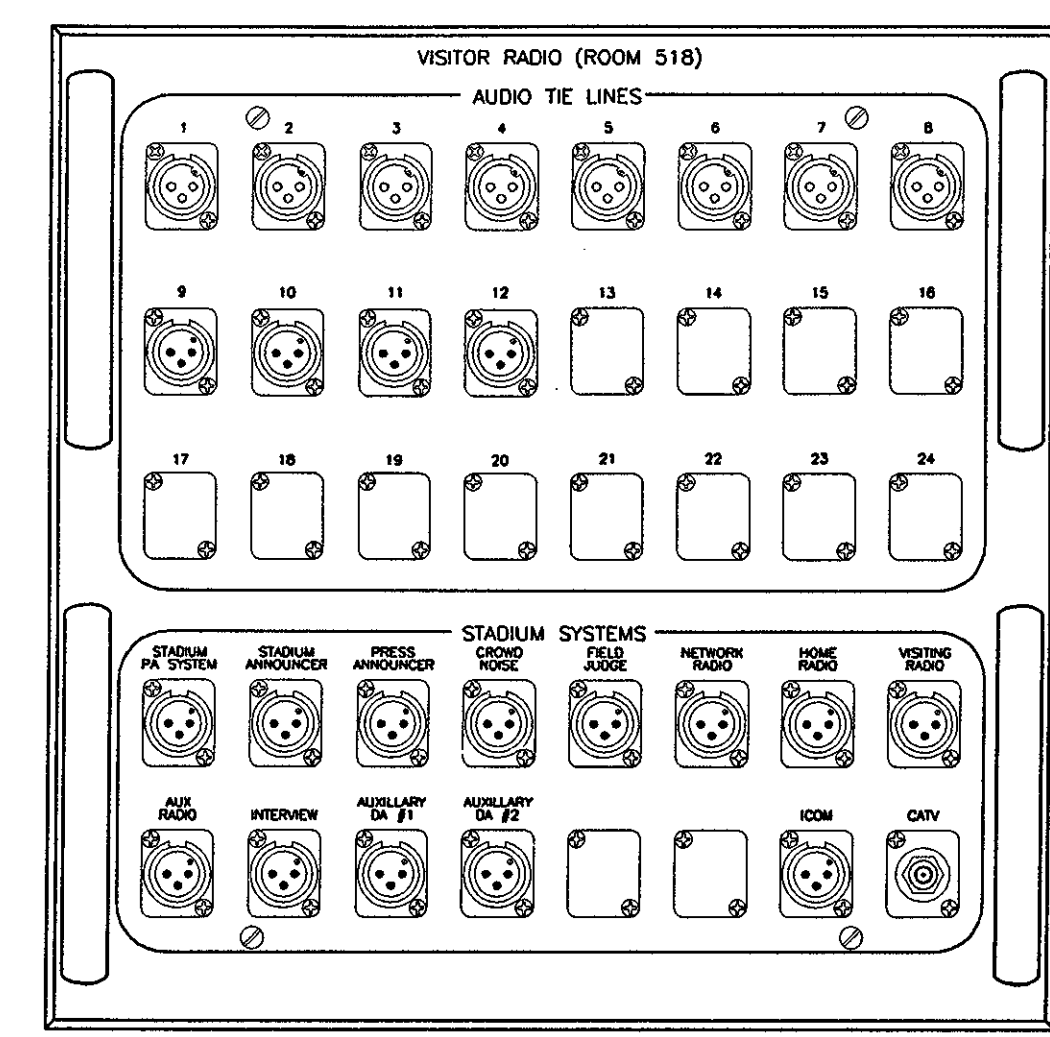
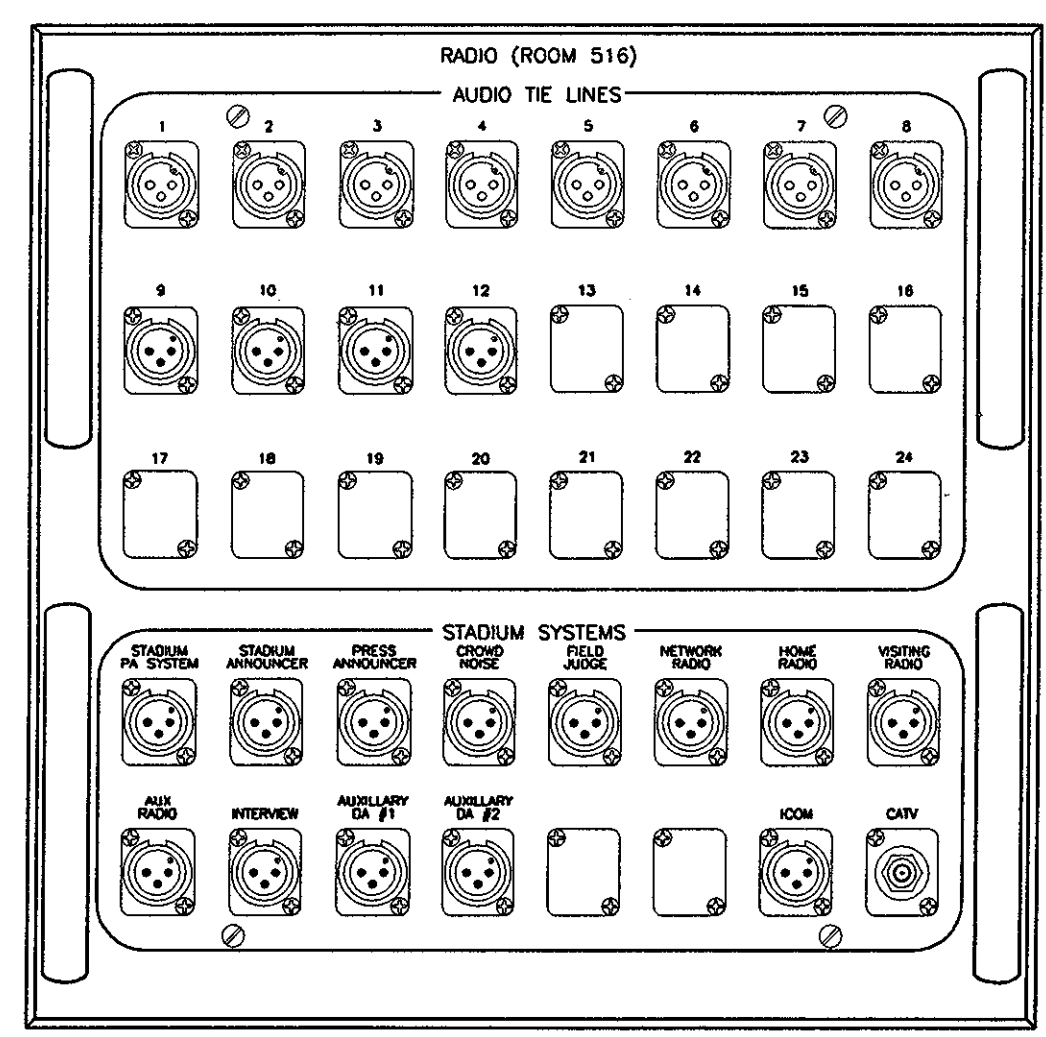
Date: 08.30.03
In Charge: GLM
Drawn By: PMK
Checked By: TDL

Comm. No. 1013.0002.00
RECORD DOCUMENTS
SR2.13



1 DETAIL - WALL PANELS
 SCALE: NO SCALE

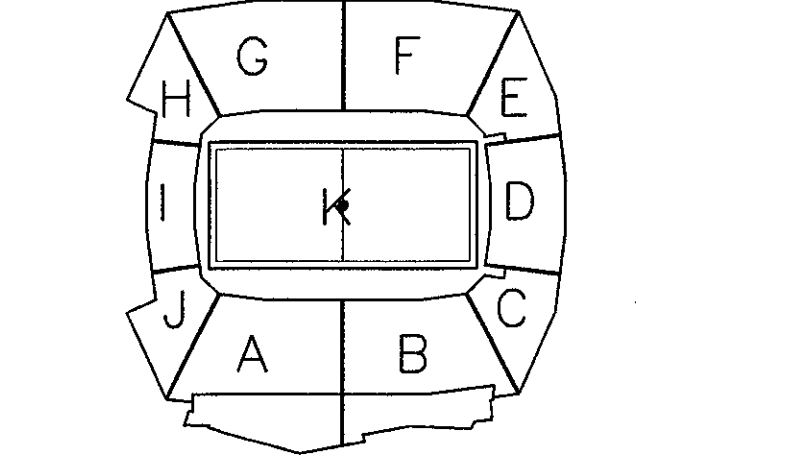
- NOTES: CUSTOM PANELS
- ALL PANELS SHALL BE 3/16" ALUMINUM, WITH MILLED CHAMFERED EDGES, UNLESS OTHERWISE NOTED. CLEAN AND DEGREASE. BRUSHED BLACK ANODIZE FINISH (BRUSHED IN DIRECTION OF GRAIN ONLY).
 - MILL BACK OF PANEL TO REDUCE THICKNESS, IF REQUIRED TO MOUNT CERTAIN CONNECTORS.
 - DRILL AND TAP ALL CONNECTOR MOUNTING SCREW HOLES TO ACCOMMODATE MANUFACTURER'S RECOMMENDED MOUNTING SCREWS. DO NOT USE NUTS BEHIND PANEL TO MOUNT CONNECTORS.
 - COUNTERSINK HOLES FOR PANEL MOUNTING SCREWS. VERIFY MOUNTING SCREW LOCATIONS AGAINST ACTUAL BOXES INSTALLED.
 - ALL PANELS SHALL BE MILLED, AND DRILLED & TAPPED FOR FULL COMPLEMENT OF CONNECTORS. COVER UNUSED HOLES WITH PLASTIC BLANKS, AND SUPPLY MOUNTING HARDWARE FOR ALL CONNECTOR POSITIONS.
 - CONNECTOR QUANTITIES AND ENGRAVING AS SHOWN ON INDIVIDUAL DETAILS.
 - FILL UNUSED SPACE IN ENCLOSURE WITH BLACK ALUMINUM BLANK PANELS OF EQUAL THICKNESS AND STYLE.



THE STADIUM AT RENTSCHLER FIELD

- Owner
State of Connecticut
- Architect
Ellerbe Becket, Inc.
 600 West 47th Street, Suite 200
 Kansas City, MO 64112-2595
 Telephone: 816.501.4443
 Facsimile: 816.501.2003
- Landscaping Design
CR3
 571 Hopewell Street
 Sturbridge, CT 06070
 Telephone: 860.658.1588
 Facsimile: 860.658.1517
- Structural Engineering
BVH Integrated Services
 50 Griffin Road South
 Bloomfield, CT 06002
 Telephone: 860.285.9171
 Facsimile: 860.242.8256
- Pool Service
The Bigelow Companies
 1575 Lincoln Avenue, Suite 156
 Kansas City, MO 64119
 Telephone: 816.483.5533
 Facsimile: 816.483.5510
- Mechanical/Electrical Engineering
DTC
 556 Washington Ave
 North Haven, CT 06473
 Telephone: 203.239.4200
 Facsimile: 203.234.7376
- Geotechnical
GZA GeoEnvironmental
 Vernon, CT 06068
 Telephone: 860.875.2655
 Facsimile: 860.872.2416
- Oil Engineering/Traffic
Fuss & O'Neill
 140 Fairfield Road
 Meriden, CT 06040-5921
 Telephone: 860.686.2489
 Facsimile: 860.643.6519
- Security
Safesecure Network
 171 Rock Rock Road
 New Milford, CT 06776
 Telephone: 860.354.7020
 Facsimile: 860.354.7020
- Cost Analyst
F & C Consultants, Inc.
 5223 West Parkway, Suite 225
 Kansas City, MO 64114
 Telephone: 816.533.3377
 Facsimile: 816.533.3256
- Vertical Consultant
Syska & Hennessy
 One Brookline, 29th Floor
 Cambridge, MA 02142
 Telephone: 617.577.8000
 Facsimile: 617.577.9191
- Audio/Visual
Petron Marsh Kinsella
 1400 W. MacArthur Lane, Suite 400
 Dallas, TX 75247-4951
 Telephone: 214.688.7444
 Facsimile: 214.591.7408
- Sports Turf
MST
 1893 W. Santa Ana
 Upland, CA 91784-4402
 Telephone: 951.781.1440
 Facsimile: 951.781.5227

THESE RECORD DOCUMENTS HAVE BEEN PREPARED BASED ON INFORMATION SUPPLIED TO THE ARCHITECT/ENGINEER BY OTHERS. THE ARCHITECT/ENGINEER HAS NOT INDEPENDENTLY VERIFIED THE INFORMATION AND DISCLAIMS RESPONSIBILITY FOR THE ACCURACY AND COMPLETENESS THEREOF. THESE DRAWINGS ARE FOR REFERENCE ONLY AND ARE NOT TO BE USED FOR CONSTRUCTION WITHOUT DRAWINGS AND CALCULATIONS SPECIFICALLY PREPARED FOR ANY INTENDED ADDITIONAL WORK.



ELLERBE BECKET

4600 Madison Avenue
 Suite 1000
 Kansas City, MO 64112
 816 561 4443

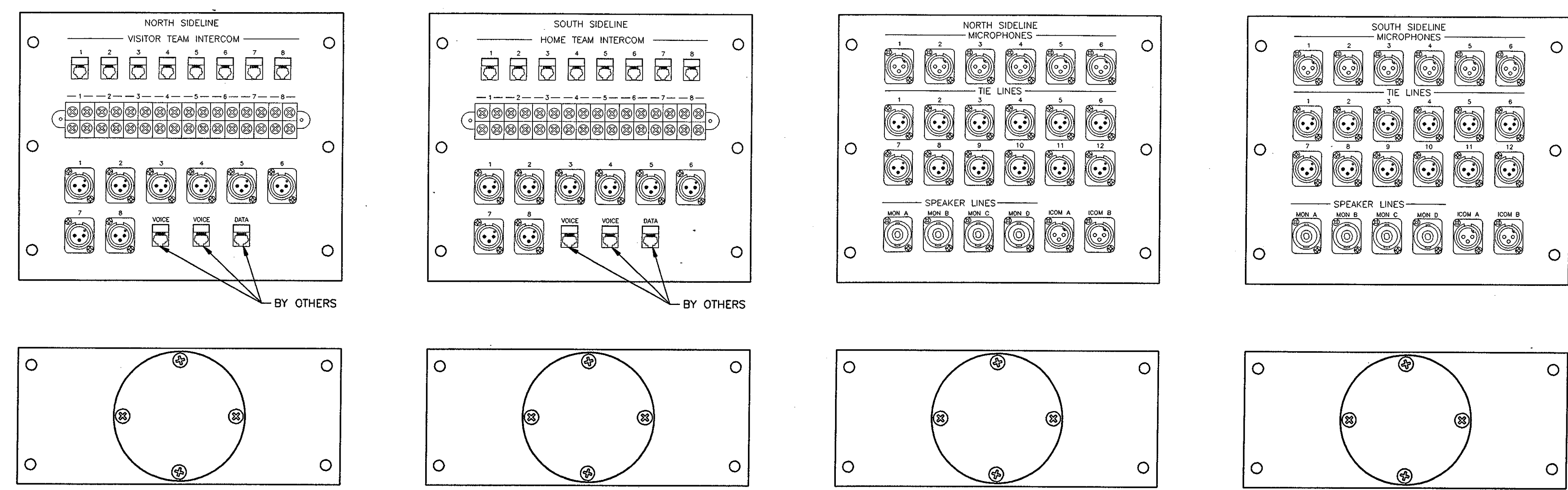
Ellerbe Becket, Inc.

© 2003 Ellerbe Becket

SOUND REINFORCEMENT WALL PANELS

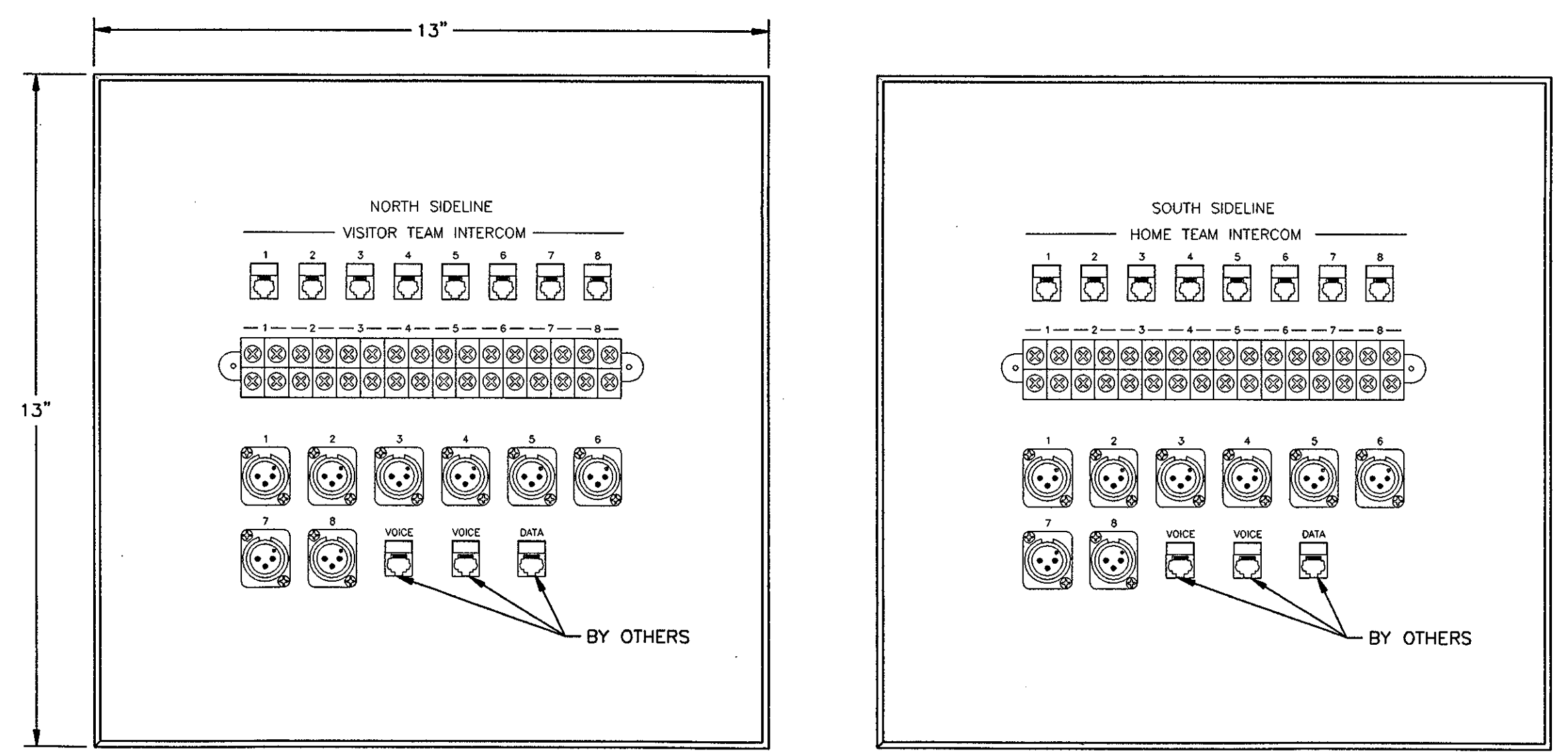
Scale _____

Date 08.30.03 Comm. No. 1013.0002.00
 In Charge GLM RECORD DOCUMENTS
 Drawn By PMK
 Checked By TDL **SR5.01**

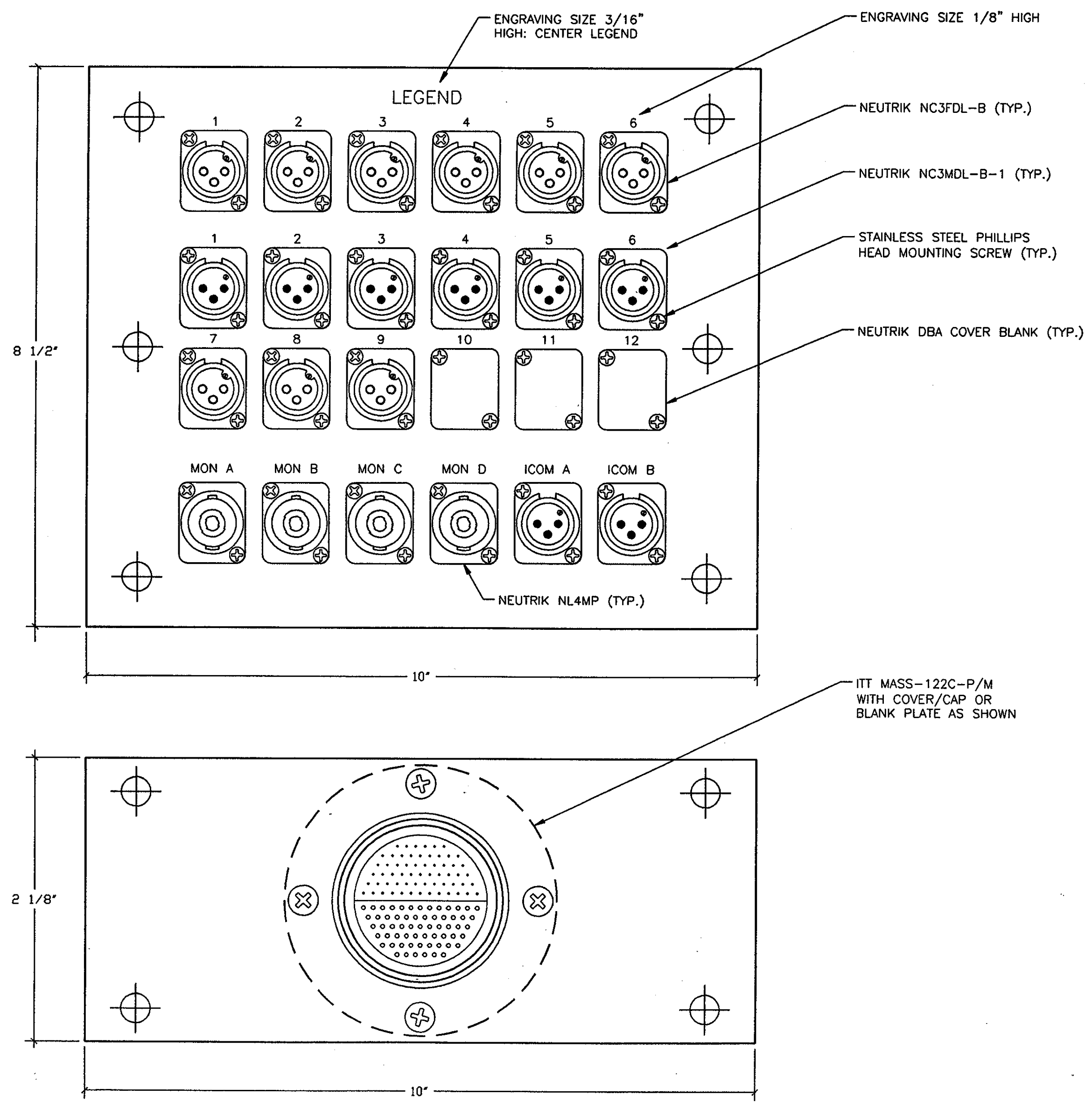


1 FIELD PANEL OUTLET PLATE DETAIL FP
SCALE

- NOTES: CUSTOM PANELS
- ALL PANELS SHALL BE 3/16" ALUMINUM, WITH MILLED CHAMFERED EDGES, UNLESS OTHERWISE NOTED. CLEAN AND DEGREASE. BRUSHED BLACK ANODIZE FINISH (BRUSHED IN DIRECTION OF GRAIN ONLY).
 - MILL BACK OF PANEL TO REDUCE THICKNESS, IF REQUIRED TO MOUNT CERTAIN CONNECTORS.
 - DRILL AND TAP ALL CONNECTOR MOUNTING SCREW HOLES TO ACCOMMODATE MANUFACTURER'S RECOMMENDED MOUNTING SCREWS. DO NOT USE NUTS BEHIND PANEL TO MOUNT CONNECTORS.
 - COUNTERSINK HOLES FOR PANEL MOUNTING SCREWS. VERIFY MOUNTING SCREW LOCATIONS AGAINST ACTUAL BOXES INSTALLED.
 - ALL PANELS SHALL BE MILLED, AND DRILLED & TAPPED FOR FULL COMPLEMENT OF CONNECTORS. COVER UNUSED HOLES WITH PLASTIC BLANKS, AND SUPPLY MOUNTING HARDWARE FOR ALL CONNECTOR POSITIONS.
 - CONNECTOR QUANTITIES AND ENGRAVING AS SHOWN ON INDIVIDUAL DETAILS.
 - FILL UNUSED SPACE IN ENCLOSURE WITH BLACK ALUMINUM BLANK PANELS OF EQUAL THICKNESS AND STYLE.



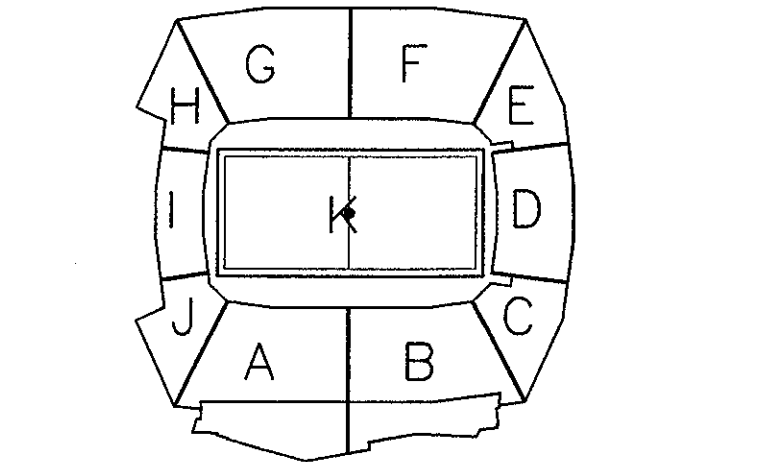
2 WALL PANEL DETAIL - COACHING BOOTH HP
SCALE



THE STADIUM AT RENTSCHLER FIELD

- Owner
State of Connecticut
- Architect
Ellerbe Becket, Inc.
602 West 47th Street, Suite 200
Kansas City, MO 64112-1905
Telephone: 816.501.4443
Facsimile: 816.501.2803
- Landscapes Design
CRS
271 Independence Street
Stamford, CT 06907
Telephone: 860.658.1988
Facsimile: 860.658.1217
- Structural Engineering
BVH Integrated Services
50 Griffin Road South
Bloomfield, CT 06002
Telephone: 860.296.9171
Facsimile: 860.242.0235
- Food Service
The Bigelow Companies
1375 Universal Avenue, Suite 150
Kansas City, MO 64120
Telephone: 816.483.5533
Facsimile: 816.483.5510
- Mechanical/Electrical Engineering
DTC
256 Washington Ave
North Haven, CT 06473
Telephone: 203.239.4200
Facsimile: 203.234.7276
- General
GZA GeoEnvironmental
27 Hook Road
Vernon, CT 06066
Telephone: 860.875.3025
Facsimile: 860.872.3416
- Oil Engineering/Traffic
Fuss & O'Neill
146 Hartford Road
Manchester, CT 06109-9221
Telephone: 860.648.2469
Facsimile: 860.643.8713
- Security
Safesecure Network
17 E. Back Road East
Hartford, CT 06176
Telephone: 860.354.7020
Facsimile: 860.354.7020
- Cost Analyst
F & C Consultants, Inc.
523 West Parkway, Suite 225
Kansas City, MO 64114
Telephone: 816.523.3377
Facsimile: 816.523.8256
- Vertical Classification
Syska & Hennessy
One Newbury, 30th Floor
Cambridge, MA 02142
Telephone: 617.377.9900
Facsimile: 617.377.9191
- Audio/Visual
Pelton Marsh Kinsella
1400 W. MacDougal Lane, Suite 400
Dallas, TX 75247-4951
Telephone: 214.683.1444
Facsimile: 214.681.7408
- Sports Turf
MST
1893 W. Faith Avenue
Littleton, CO 80120-4402
Telephone: 303.739.1440
Facsimile: 303.739.2827

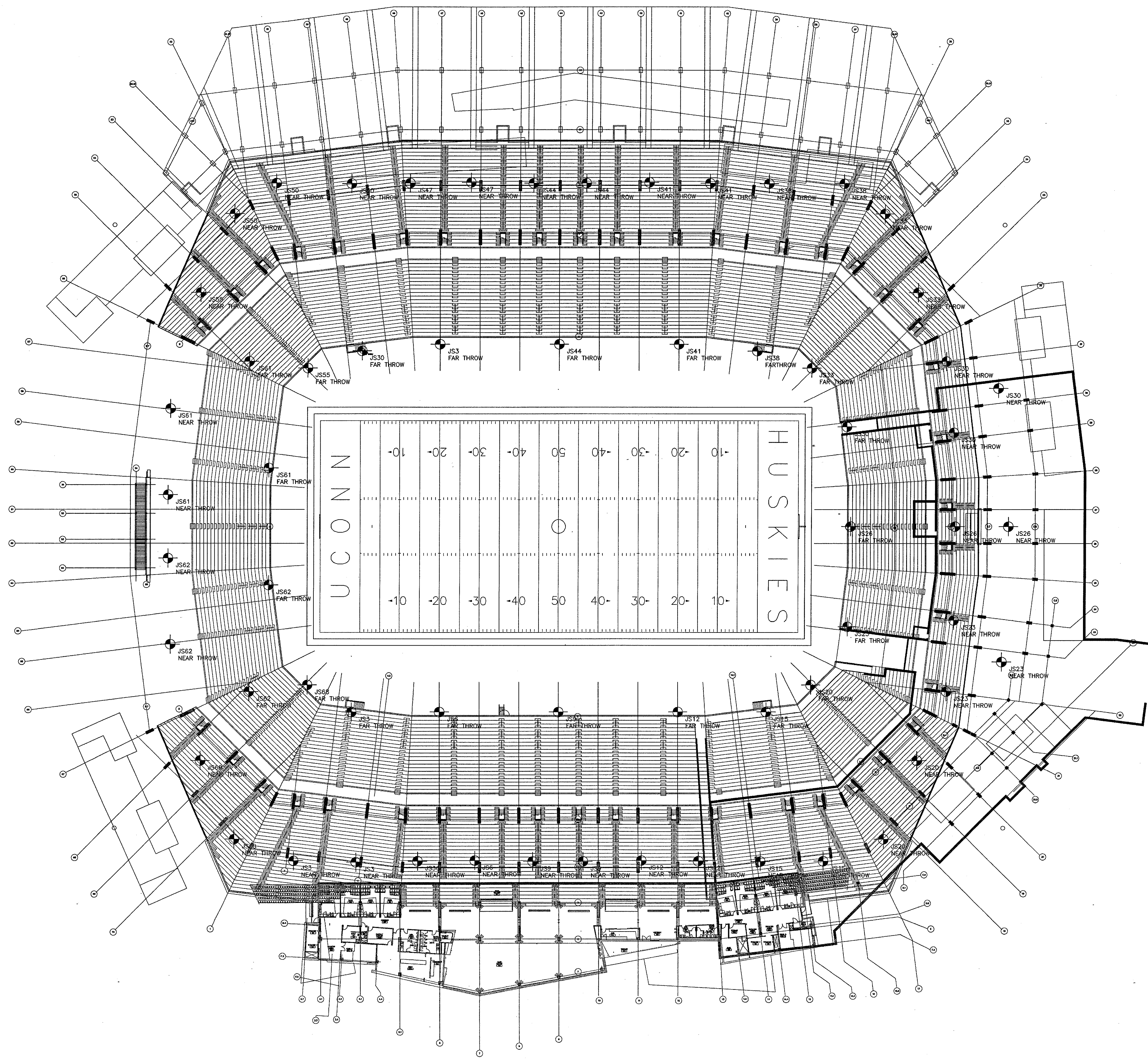
THESE RECORD DOCUMENTS HAVE BEEN PREPARED BASED ON INFORMATION SUPPLIED TO THE ARCHITECT/ENGINEER BY OTHERS. THE ARCHITECT/ENGINEER HAS NOT INDEPENDENTLY VERIFIED THE INFORMATION AND DISCLAIMS RESPONSIBILITY FOR THE ACCURACY AND COMPLETENESS THEREOF. THESE DRAWINGS ARE FOR REFERENCE ONLY AND ARE NOT TO BE USED FOR CONSTRUCTION WITHOUT DRAWINGS AND CALCULATIONS SPECIFICALLY PREPARED FOR ANY INTENDED ADDITIONAL WORK.



ELLERBE BECKET

4600 Madison Avenue
Suite 1000
Kansas City, MO 64112
816.561.4443

Ellerbe Becket, Inc.



Revision	Date	No.
ASI 127	JUNE 6, 2002	

THE STADIUM AT
RENTSCHLER FIELD

Owner
State of Connecticut
Architect
Ellerbe Becket, Inc.
605 West 47th Street, Suite 200
Kansas City, MO 64112-1905
Telephone: 816.561.4443
Facsimile: 816.561.3863

Structural Engineering
BVH Integrated Services
30 South Main Street
Hartford, CT 06102
Telephone: 860.284.9171
Facsimile: 860.242.8256

Mechanical/Electrical Engineering
Diversified Technology Consultants
558 Washington Ave
North Haven, CT 06457
Telephone: 203.239.4200
Facsimile: 203.234.7376

Civil Engineering/Traffic
Fuss & O'Neill
140 Hartford Road
Hartford, CT 06106-5021
Telephone: 860.642.2469
Facsimile: 860.640.6919

Landscape Design
CR3
571 Hayswood Street
Stamford, CT 06907
Telephone: 860.658.1288
Facsimile: 860.658.1217

Code Analysis
F & C Consultants, Inc.
9233 Wood Parkway, Suite 225
Kansas City, MO 64114
Telephone: 816.523.3377
Facsimile: 816.523.8256

Food Service
The Bigelow Companies
1575 Universal Avenue, Suite 156
Kansas City, MO 64128
Telephone: 816.483.5553
Facsimile: 816.483.5510

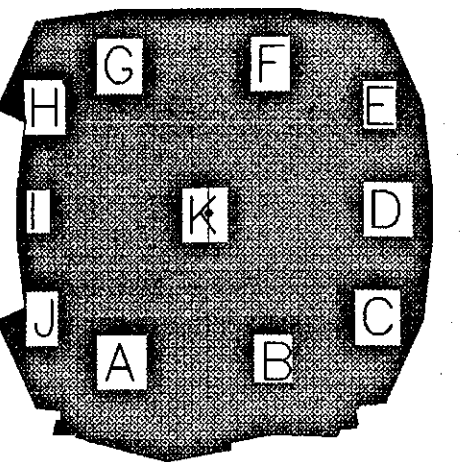
Audio/Visual
Pelton Marsh Kinsella
1401 W. Macgregor Lane, Suite 400
Dallas, TX 75247-4851
Telephone: 214.688.7444
Facsimile: 214.591.7408

Geotechnical
GZA GeoEnvironmental
27 Main Road
Worcester, CT 06095
Telephone: 860.875.7855
Facsimile: 860.872.2416

Sports Turf
Millennium Sports Technologies
1815 W. South Avenue
Littleton, CO 80120-4402
Telephone: 303.736.1440
Facsimile: 303.736.2027

Vertical Circulation
Syska & Hennessy
One Broadway, 9th Floor
Cambridge, MA 02142
Telephone: 617.577.9800
Facsimile: 617.577.9191

Security
Safesecure Network
17 E. 8th Street
New Britain, CT 06103
Telephone: 860.354.7020
Facsimile: 860.354.7020



ELLERBE BECKET



605 West 47th Street
Kansas City, MO 64112-1905
816.561.4443

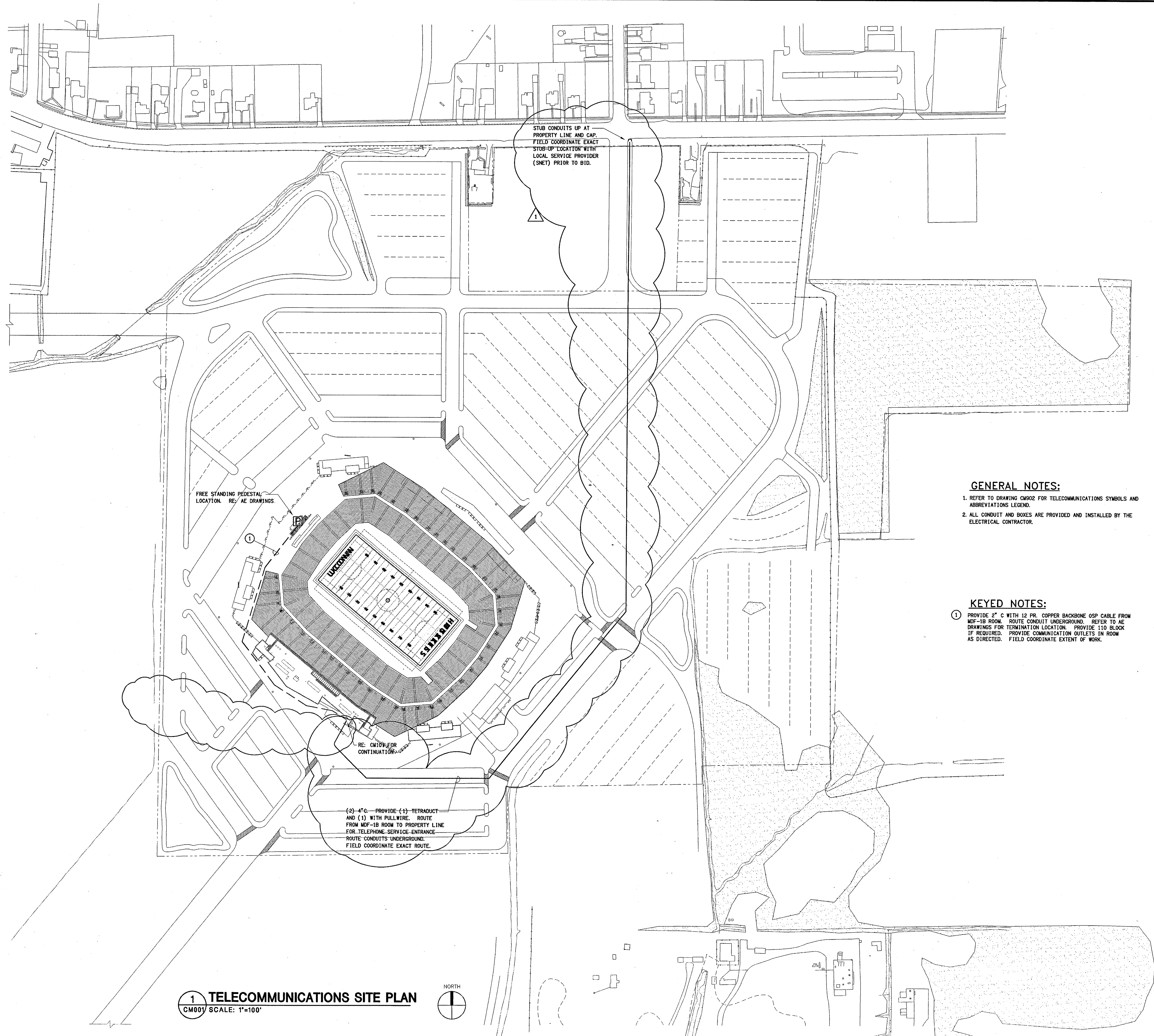
© 2001 Ellerbe Becket

**AUDIO/VISUAL ELECTRICAL
SPEAKER AIMING
OVERALL**
Scale AS SHOWN

Date 03.16.01 Comm. No. 1013.0002.00
In Charge GM CONSTRUCTION DOCUMENT
Drawn By PMK
Checked By TL

1 FLOOR PLAN - CLUB LEVEL, OVERALL
RF1984 SCALE: 1/32"=1'-0"

RFI 984



STUB CONDUITS UP AT PROPERTY LINE AND CAP. FIELD COORDINATE EXACT STUB-UP LOCATION WITH LOCAL SERVICE PROVIDER (SNET) PRIOR TO BID.

FREE STANDING PEDESTAL LOCATION. RE: AE DRAWINGS

RE: CN/TP FOR CONTINUATION

(2) - 4" C - PROVIDE (1) TETRADUCT AND (1) WITH PULLWIRE. ROUTE FROM MDF-1B ROOM TO PROPERTY LINE FOR TELEPHONE SERVICE ENTRANCE ROUTE. CONDUITS UNDERGROUND. FIELD COORDINATE EXACT ROUTE.

GENERAL NOTES:

- REFER TO DRAWING CM002 FOR TELECOMMUNICATIONS SYMBOLS AND ABBREVIATIONS LEGEND.
- ALL CONDUIT AND BOXES ARE PROVIDED AND INSTALLED BY THE ELECTRICAL CONTRACTOR.

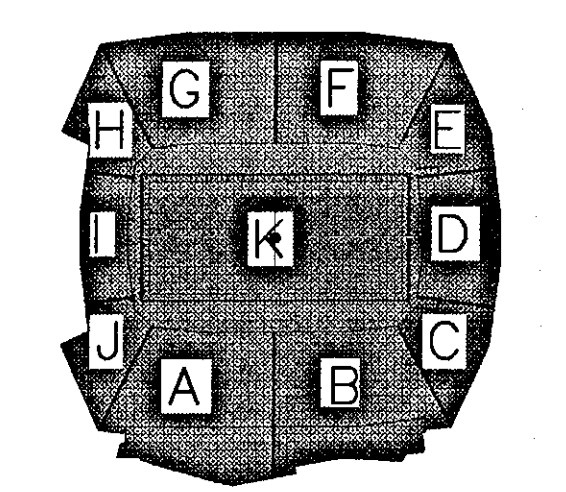
KEYED NOTES:

- PROVIDE 2" C WITH 12 PR. COPPER BACKBONE OSP CABLE FROM MDF-1B ROOM. ROUTE CONDUIT UNDERGROUND. REFER TO AE DRAWINGS FOR TERMINATION LOCATION. PROVIDE 110 BLOCK IF REQUIRED. PROVIDE COMMUNICATION OUTLETS IN ROOM AS DIRECTED. FIELD COORDINATE EXTENT OF WORK.

THE STADIUM AT RENTSCHLER FIELD

- Owner: State of Connecticut
- Architect: **Ellerbe Becket, Inc.**
 605 West 47th Street, Suite 200
 Kansas City, MO 64112-1905
 Telephone: 816.561.4443
 Facsimile: 816.561.2883
- Landscape Design: **CR3**
 571 Ingershollow Street
 Simsbury, CT 06070
 Telephone: 860.658.1888
 Facsimile: 860.658.1217
- Structural Engineering: **BVH Integrated Services**
 50 Griffin Road South
 Bloomfield, CT 06002
 Telephone: 860.286.9171
 Facsimile: 860.242.0236
- Food Service: **The Bigelow Companies**
 1575 Universal Avenue, Suite 156
 Kansas City, MO 64128
 Telephone: 816.483.5553
 Facsimile: 816.483.5510
- Mechanical/Electrical Engineering: **DTC**
 556 Washington Ave
 North Haven, CT 06473
 Telephone: 203.239.0200
 Facsimile: 203.234.7276
- Geotechnical: **GZA GeoEnvironmental**
 27 Neck Road
 Vernon, CT 06066
 Telephone: 860.875.7655
 Facsimile: 860.872.2416
- Civil Engineering/Traffic: **Fuss & O'Neill**
 148 Hartland Road
 Manchester, CT 06040-0301
 Telephone: 860.646.2469
 Facsimile: 860.643.6113
- Security: **Safesecure Network**
 17 E. Rock Road
 New Milford, CT 06776
 Telephone: 860.354.7020
 Facsimile: 860.354.7020
- Code Analysis: **F.P. & C. Consultants, Inc.**
 3233 Wood Parway, Suite 225
 Kansas City, MO 64114
 Telephone: 816.523.3377
 Facsimile: 816.523.8256
- Vertical Circulation: **Syska & Hennessy**
 One Beakley, 9th Floor
 Cambridge, MA 02142
 Telephone: 617.577.9900
 Facsimile: 617.577.9191
- Audio/Visual: **Pelton Marsh Kinsella**
 1400 W. Washington Ave, Suite 400
 Dallas, TX 75207-9501
 Telephone: 214.688.7444
 Facsimile: 214.951.7408
- Sports Turf: **MST**
 1803 W. Kirtle Avenue
 Stillmead, CT 06179-4402
 Telephone: 303.738.1440
 Facsimile: 303.738.2827

THESE RECORD DOCUMENTS HAVE BEEN PREPARED BASED ON INFORMATION SUPPLIED TO THE ARCHITECT/ENGINEER BY OTHERS. THE ARCHITECT/ENGINEER HAS NOT INDEPENDENTLY VERIFIED THE INFORMATION AND DISCLAIMS RESPONSIBILITY FOR THE ACCURACY AND COMPLETENESS THEREOF. THESE DRAWINGS ARE FOR REFERENCE ONLY AND ARE NOT TO BE USED FOR CONSTRUCTION WITHOUT DRAWINGS AND CALCULATIONS SPECIFICALLY PREPARED FOR ANY INTENDED ADDITIONAL WORK.



ELLERBE BECKET



4600 Madison Avenue
 Suite 1000
 Kansas City, MO 64112
 816.561.4443

Ellerbe Becket, Inc.

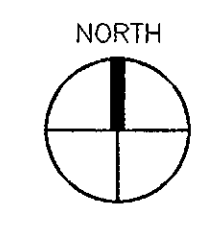
© 2003 Ellerbe Becket

TELECOMMUNICATIONS SITE PLAN - OVERALL

Scale: 1" = 100'

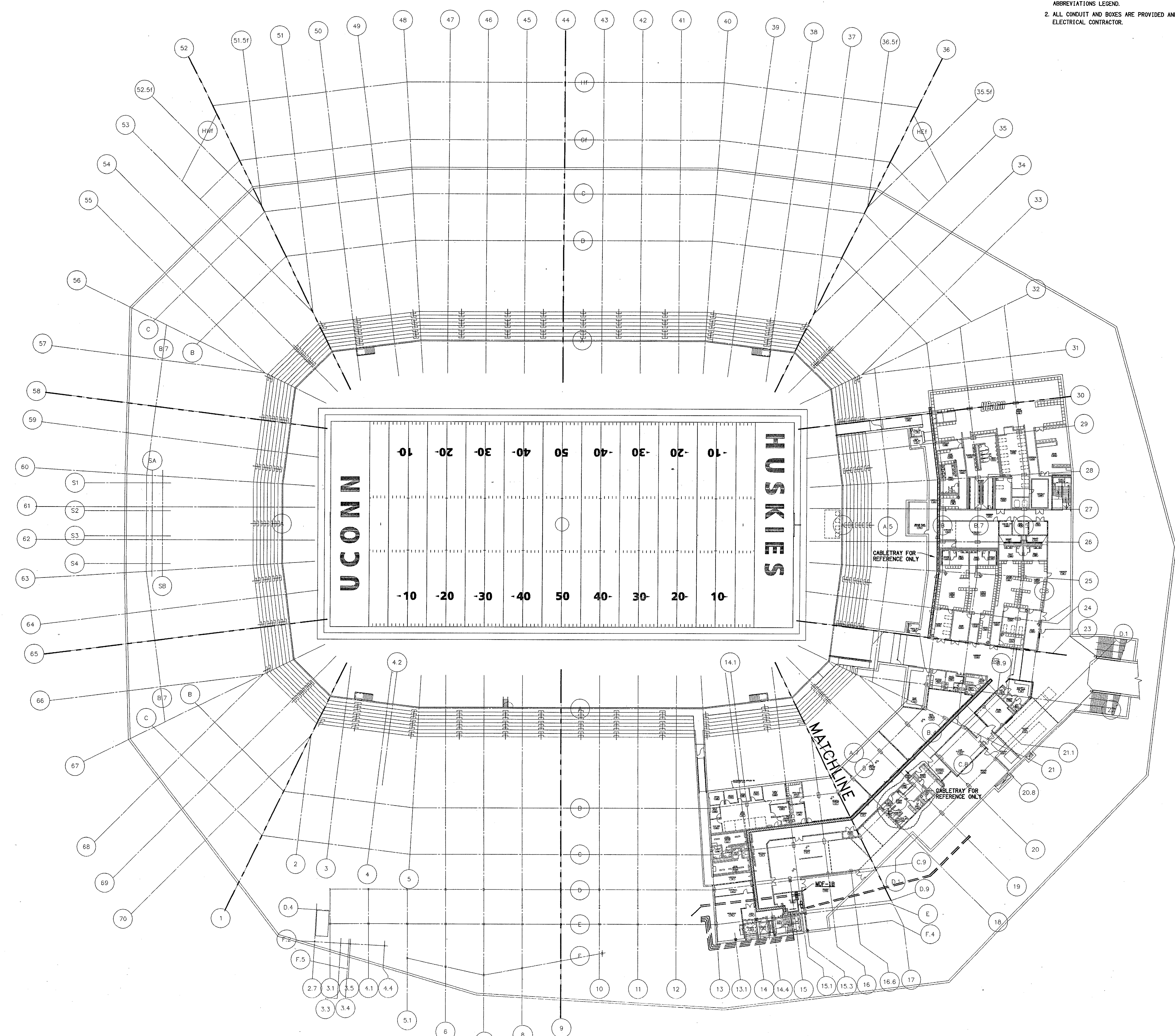
Date	08.30.03	Comm. No.	1013.0002.00
In Charge	GW	RECORD DOCUMENTS	
Drawn By	RSF		
Checked By	CLF	CM001	

1 TELECOMMUNICATIONS SITE PLAN
 CM001 SCALE: 1"=100'



GENERAL NOTES:

1. REFER TO DRAWING CM502 FOR TELECOMMUNICATIONS SYMBOLS AND ABBREVIATIONS LEGEND.
2. ALL CONDUIT AND BOXES ARE PROVIDED AND INSTALLED BY THE ELECTRICAL CONTRACTOR.

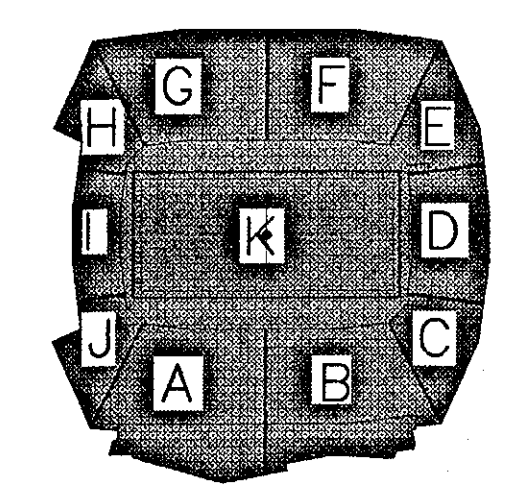


1 FIELD LEVEL FLOOR PLAN
 CM101 SCALE: 1/32"=1'-0"

THE STADIUM AT RENTSCHLER FIELD

- Owner
 State of Connecticut
- Architecture
Ellerbe Becket, Inc.
 805 West 47th Street, Suite 200
 Kansas City, MO 64112-1905
 Telephone: 816.561.4443
 Facsimile: 816.561.2803
- Landscaper/Design
CR3
 571 Highroad Street
 Simsbury, CT 06070
 Telephone: 860.658.1888
 Facsimile: 860.658.1217
- Structural Engineering
BVH Integrated Services
 50 Griffin Road South
 Bloomfield, CT 06002
 Telephone: 860.286.9171
 Facsimile: 860.242.0226
- Food Service
The Bigelow Companies
 1575 Universal Avenue, Suite 156
 Kansas City, MO 64116
 Telephone: 816.483.5553
 Facsimile: 816.483.9510
- Mechanical/Electrical Engineering
DTC
 558 Washington Ave
 North Haven, CT 06473
 Telephone: 203.238.4200
 Facsimile: 203.234.7976
- Geotechnical
GZA GeoEnvironmental
 27 Naik Road
 Vernon, CT 06066
 Telephone: 860.875.7855
 Facsimile: 860.872.2416
- Civil Engineering/Traffic
Fuss & O'Neill
 141 Northford Road
 Meriden, CT 06040-9921
 Telephone: 860.646.2489
 Facsimile: 860.643.6919
- Security
Safesecure Network
 171 South Rock Road
 New Milford, CT 06756
 Telephone: 860.354.7020
 Facsimile: 860.354.7020
- Code Analysis
F P & C Consultants, Inc.
 923 Ward Parkway, Suite 225
 Kansas City, MO 64114
 Telephone: 816.528.3377
 Facsimile: 816.528.8256
- Vertical Circulation
Syska & Hennessy
 Old Broadway, 9th Floor
 Cambridge, MA 02142
 Telephone: 617.577.8600
 Facsimile: 617.577.9191
- Audio/Visual
Pelton Marsh Kinsella
 1400 W. Mesquibel Lane, Suite 400
 Dallas, TX 75247-4951
 Telephone: 214.688.7444
 Facsimile: 214.951.7468
- Sports Turf
MST
 1893 W. Kelly Avenue
 Lubbock, TX 79420-4102
 Telephone: 803.730.1440
 Facsimile: 803.730.2627

THESE RECORD DOCUMENTS HAVE BEEN PREPARED BASED ON INFORMATION SUPPLIED TO THE ARCHITECT/ENGINEER BY OTHERS. THE ARCHITECT/ENGINEER HAS NOT INDEPENDENTLY VERIFIED THE INFORMATION AND DISCLAIMS RESPONSIBILITY FOR THE ACCURACY AND COMPLETENESS THEREOF. THESE DRAWINGS ARE FOR REFERENCE ONLY AND ARE NOT TO BE USED FOR CONSTRUCTION WITHOUT DRAWINGS AND CALCULATIONS SPECIFICALLY PREPARED FOR ANY INTENDED ADDITIONAL WORK.



ELLERBE BECKET



4600 Madison Avenue
 Suite 1000
 Kansas City, MO 64112
 816 561 4443

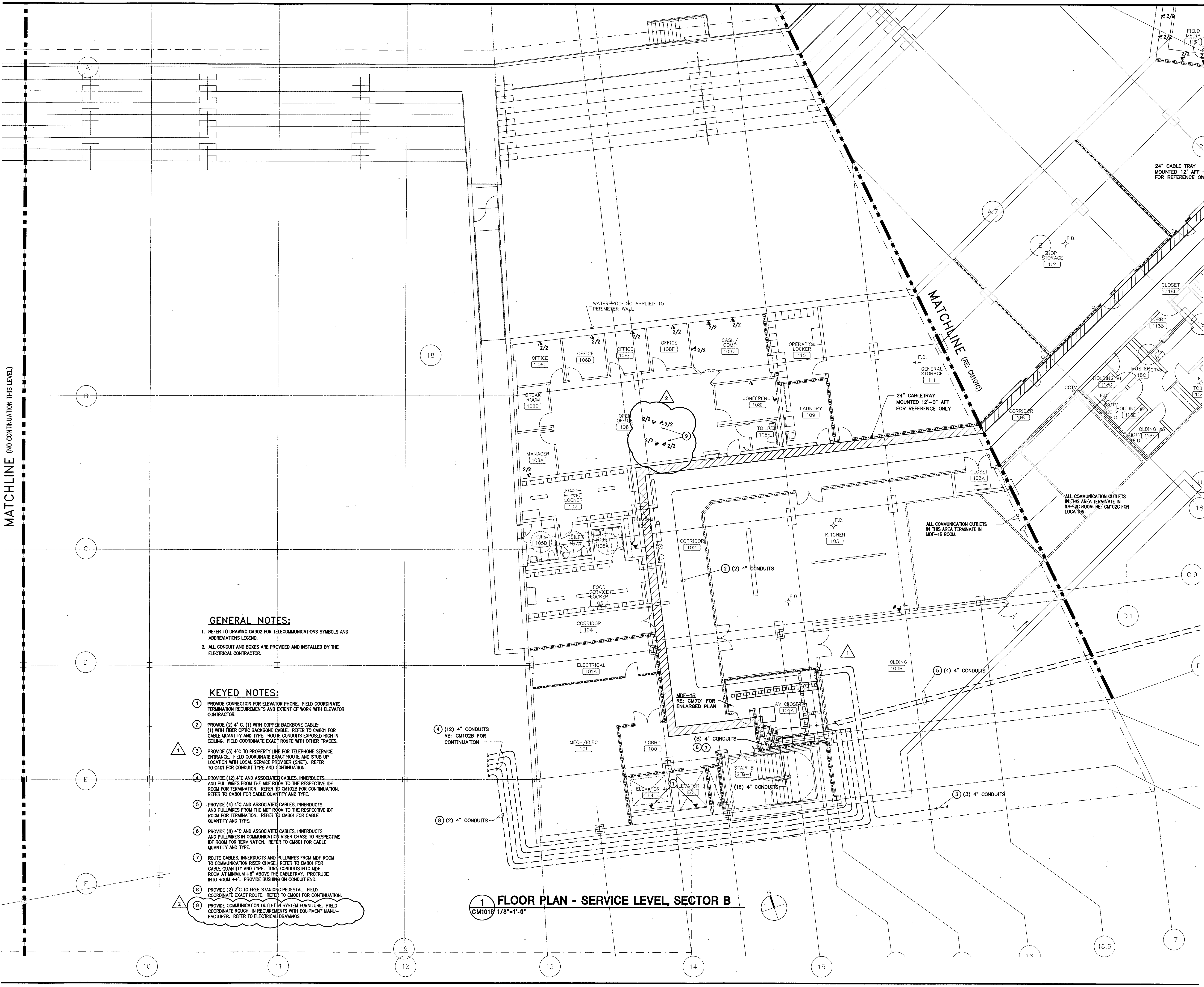
Ellerbe Becket, Inc.

© 2003 Ellerbe Becket

TELECOMMUNICATIONS SERVICE LEVEL FLOOR PLAN - OVERALL
 Scale AS NOTED

Date 08.30.03 Comm. No. 1013.0002.00
 In Charge GW RECORD DOCUMENTS
 Drawn By RSF
 Checked by BLF **CM101**

MATCHLINE (NO CONTINUATION THIS LEVEL)



- GENERAL NOTES:**
1. REFER TO DRAWING CM902 FOR TELECOMMUNICATIONS SYMBOLS AND ABBREVIATIONS LEGEND.
 2. ALL CONDUIT AND BOXES ARE PROVIDED AND INSTALLED BY THE ELECTRICAL CONTRACTOR.

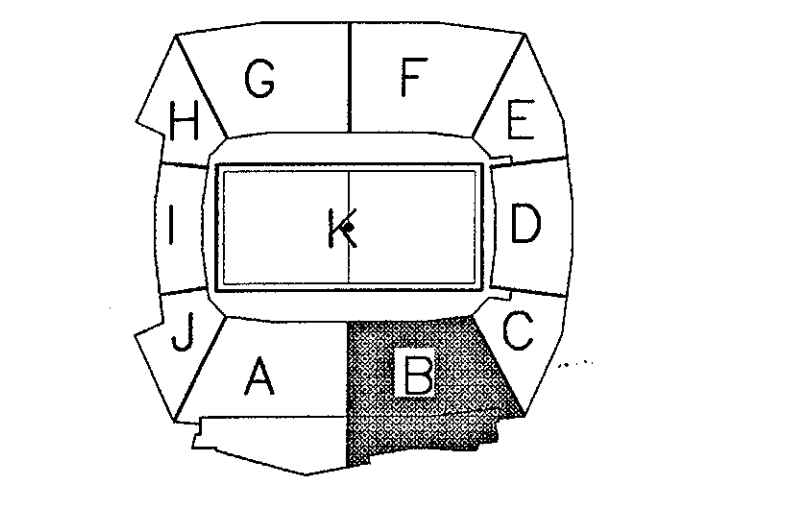
- KEYED NOTES:**
1. PROVIDE CONNECTION FOR ELEVATOR PHONE. FIELD COORDINATE TERMINATION REQUIREMENTS AND EXTENT OF WORK WITH ELEVATOR CONTRACTOR.
 2. PROVIDE (2) 4" C. (1) WITH COPPER BACKBONE CABLE, (1) WITH FIBER OPTIC BACKBONE CABLE. REFER TO CM801 FOR CABLE QUANTITY AND TYPE. ROUTE CONDUITS EXPOSED HIGH IN CEILING. FIELD COORDINATE EXACT ROUTE WITH OTHER TRADES.
 3. PROVIDE (3) 4" C. TO PROPERTY LINE FOR TELEPHONE SERVICE ENTRANCE. FIELD COORDINATE EXACT ROUTE AND STUB UP LOCATION WITH LOCAL SERVICE PROVIDER (CSE). REFER TO C401 FOR CONDUIT TYPE AND CONTINUATION.
 4. PROVIDE (12) 4" C. AND ASSOCIATED CABLES, INNERDUCTS AND PULLWIRES FROM THE MDF ROOM TO THE RESPECTIVE IDF ROOM FOR TERMINATION. REFER TO CM102B FOR CONTINUATION. REFER TO CM801 FOR CABLE QUANTITY AND TYPE.
 5. PROVIDE (4) 4" C. AND ASSOCIATED CABLES, INNERDUCTS AND PULLWIRES FROM THE MDF ROOM TO THE RESPECTIVE IDF ROOM FOR TERMINATION. REFER TO CM801 FOR CABLE QUANTITY AND TYPE.
 6. PROVIDE (8) 4" C. AND ASSOCIATED CABLES, INNERDUCTS AND PULLWIRES IN COMMUNICATION RISER CHASE TO RESPECTIVE IDF ROOM FOR TERMINATION. REFER TO CM801 FOR CABLE QUANTITY AND TYPE.
 7. ROUTE CABLES, INNERDUCTS AND PULLWIRES FROM MDF ROOM TO COMMUNICATION RISER CHASE. REFER TO CM801 FOR CABLE QUANTITY AND TYPE. TURN CONDUITS INTO MDF ROOM AT MINIMUM +8" ABOVE THE CABLETRAY. PROTRUDE INTO ROOM +4". PROVIDE BUSHING ON CONDUIT END.
 8. PROVIDE (2) 2" C. TO FREE STANDING PEDESTAL. FIELD COORDINATE EXACT ROUTE. REFER TO CM001 FOR CONTINUATION.
 9. PROVIDE COMMUNICATION OUTLET IN SYSTEM FURNITURE. FIELD COORDINATE ROUGH-IN REQUIREMENTS WITH EQUIPMENT MANUFACTURER. REFER TO ELECTRICAL DRAWINGS.

1 FLOOR PLAN - SERVICE LEVEL, SECTOR B
CM101B 1/8"=1'-0"

THE STADIUM AT RENTSCHLER FIELD

- Owner
State of Connecticut
- Architecture
Ellerbe Becket, Inc.
CR3
805 West 47th Street, Suite 200
Kansas City, MO 64112-1905
Telephone: 816.586.9463
Facsimile: 816.581.2863
- Structural Engineering
BVH Integrated Services
56 Collins Road South
Bloomfield, CT 06002
Telephone: 860.296.9171
Facsimile: 860.242.0236
- Mechanical/Electrical Engineering
DTC
558 Washington Ave
North Haven, CT 06473
Telephone: 203.239.4200
Facsimile: 203.234.3276
- Oil Engineering/Trails
Fuss & O'Neill
160 Hartford Road
Manchester, CT 06040-5301
Telephone: 860.646.2489
Facsimile: 860.643.0313
- Code Analysis
F.P. & Consultants, Inc.
923 West Putney, Suite 225
Kansas City, MO 64114
Telephone: 816.523.3377
Facsimile: 816.523.8258
- Audio/Visual
Felton Marsh Kinsella
1601 W. Montpelier Lane, Suite 400
Dallas, TX 75247-4851
Telephone: 214.688.7444
Facsimile: 214.951.7468
- Landscaping Design
CR3
571 Higginwood Street
Simsbury, CT 06091
Telephone: 860.658.1988
Facsimile: 860.658.1217
- Food Service
The Bigelow Companies
1535 General Avenue, Suite 150
Kansas City, MO 64120
Telephone: 816.483.5533
Facsimile: 816.483.5510
- Geotechnical
GZA GeoEnvironmental
27 Hook Road
Vernon, CT 06066
Telephone: 860.872.7655
Facsimile: 860.872.2416
- Security
Salesecure Network
171 East Rock Road
New Milford, CT 06776
Telephone: 860.354.7020
Facsimile: 860.354.7020
- Vertical Circulation
Syska & Hennessy
One Broadway, 9th Floor
Cambridge, MA 02142
Telephone: 617.572.9900
Facsimile: 617.572.9191
- Sports Roof
MST
1801 W. 66th Avenue
Littleton, CO 80120-4402
Telephone: 303.735.1440
Facsimile: 303.736.2827

THESE RECORD DOCUMENTS HAVE BEEN PREPARED BASED ON INFORMATION SUPPLIED TO THE ARCHITECT/ENGINEER BY OTHERS. THE ARCHITECT/ENGINEER HAS NOT INDEPENDENTLY VERIFIED THE INFORMATION AND DISCLAIMS RESPONSIBILITY FOR THE ACCURACY AND COMPLETENESS THEREOF. THESE DRAWINGS ARE FOR REFERENCE ONLY AND ARE NOT TO BE USED FOR CONSTRUCTION WITHOUT DRAWINGS AND CALCULATIONS SPECIFICALLY PREPARED FOR ANY INTENDED ADDITIONAL WORK.



ELLERBE BECKET

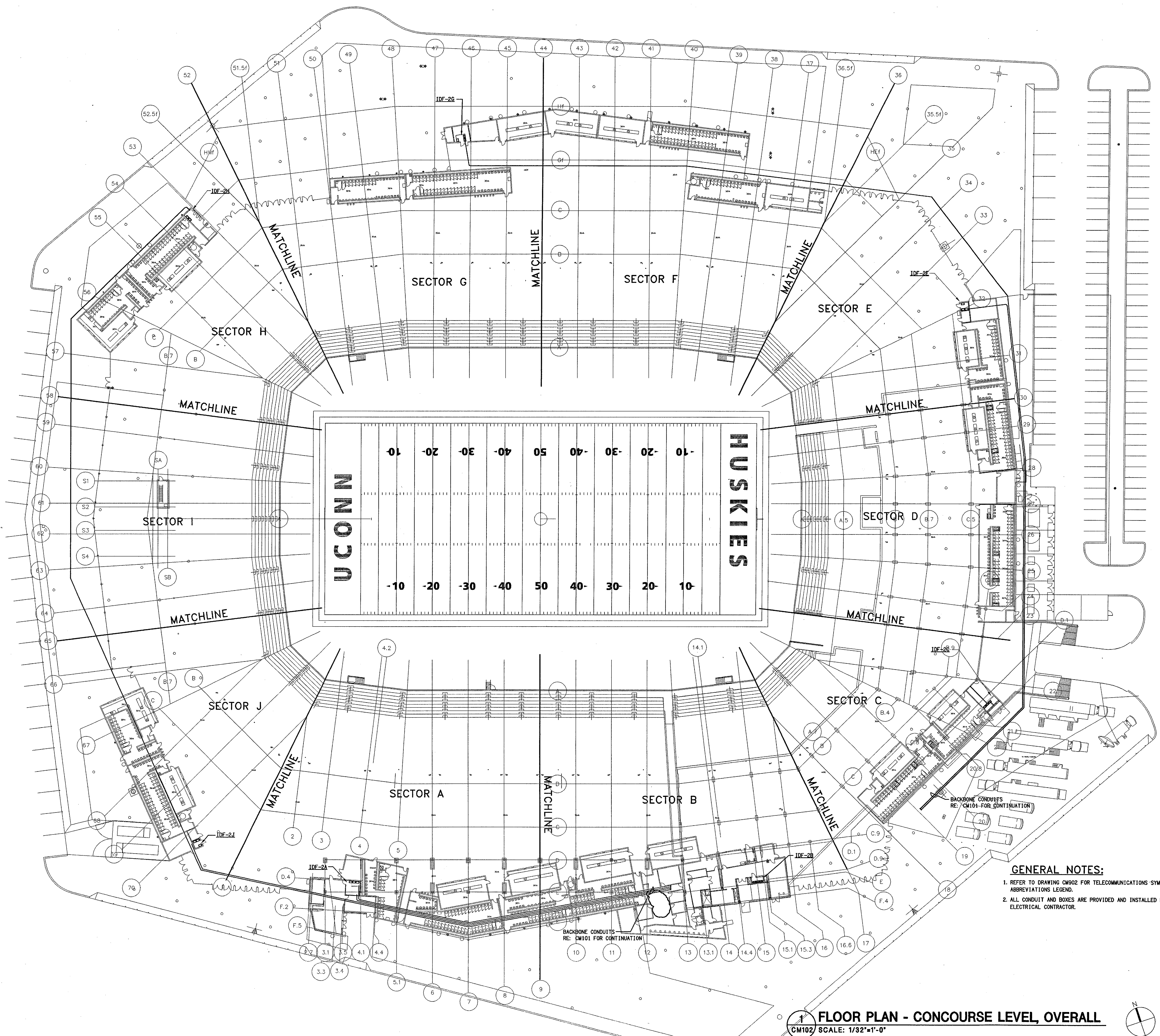
4600 Madison Avenue
Suite 1000
Kansas City, MO 64112
816.561.4443

Ellerbe Becket, Inc.

© 2003 Ellerbe Becket

TELECOMMUNICATIONS SERVICE LEVEL FLOOR PLAN - SECTOR B
Scale AS NOTED

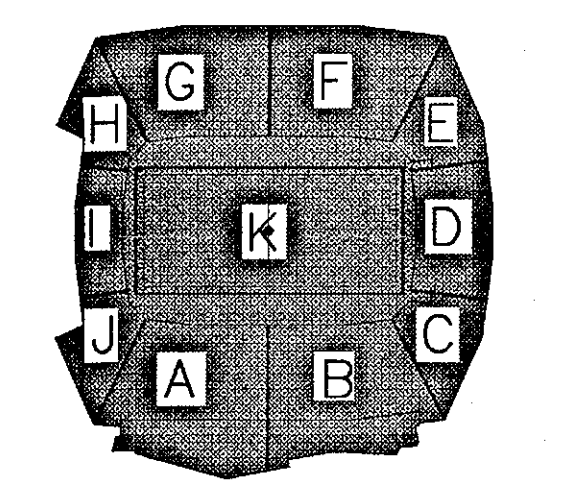
Date 08.30.03 Comm. No. 1013.0002.00
In Charge GM RECORD DOCUMENTS
Drawn By RSP
Checked by CLF **CM101B**



THE STADIUM AT RENTSCHLER FIELD

- Owner
State of Connecticut
- Architect
Ellerbe Becket, Inc.
805 West 47th Street, Suite 200
Kansas City, MO 64112-1905
Telephone: 816.561.4443
Facsimile: 816.561.2626
- Landscape Design
CR3
571 Highmeadow Street
Stamford, CT 06907
Telephone: 860.658.1288
Facsimile: 860.658.1277
- Food Service
The Bigelow Companies
1575 Commercial Avenue, Suite 158
Kansas City, MO 64120
Telephone: 816.483.5553
Facsimile: 816.483.5510
- Structural Engineering
BVH Integrated Services
59 Griffin Road South
Bloomfield, CT 06002
Telephone: 860.286.9171
Facsimile: 860.242.8236
- Food Service
The Bigelow Companies
1575 Commercial Avenue, Suite 158
Kansas City, MO 64120
Telephone: 816.483.5553
Facsimile: 816.483.5510
- Mechanical/Electrical Engineering
DTC
558 Washington Ave
North Haven, CT 06473
Telephone: 203.239.4200
Facsimile: 203.234.7376
- Geotechnical
GZA GeoEnvironmental
27 Nash Road
Vernon, CT 06065
Telephone: 860.875.7655
Facsimile: 860.872.2416
- Old Engineering/Traffic
Fuss & O'Neill
140 Industrial Road
Meriden, CT 06049-5301
Telephone: 860.686.2469
Facsimile: 860.640.6513
- Security
Safesecure Network
177 Back Road Road
New Milford, CT 06776
Telephone: 860.354.7020
Facsimile: 860.354.7020
- Cost Analysis
F P & C Consultants, Inc.
923 West Parkway, Suite 225
Kansas City, MO 64114
Telephone: 816.523.3377
Facsimile: 816.523.8258
- Vertical Circulation
Syska & Hennessy
One Drabing, 9th Floor
Cambridge, MA 02142
Telephone: 617.577.9900
Facsimile: 617.577.9191
- Audio/Visual
Pelton Marsh Kinsella
1431 W. Monticello Lane, Suite 408
Dallas, TX 75247-4951
Telephone: 214.688.7444
Facsimile: 214.951.7408
- Specialty
MST
1801 W. 84th Avenue
Liberal, CO 80130-4402
Telephone: 303.730.1440
Facsimile: 303.730.2627

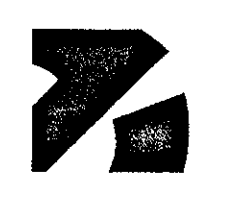
THESE RECORD DOCUMENTS HAVE BEEN PREPARED BASED ON INFORMATION SUPPLIED TO THE ARCHITECT/ENGINEER BY OTHERS. THE ARCHITECT/ENGINEER HAS NOT INDEPENDENTLY VERIFIED THE INFORMATION AND DISCLAIMS RESPONSIBILITY FOR THE ACCURACY AND COMPLETENESS THEREOF. THESE DRAWINGS ARE FOR REFERENCE ONLY AND ARE NOT TO BE USED FOR CONSTRUCTION WITHOUT DRAWINGS AND CALCULATIONS SPECIFICALLY PREPARED FOR ANY INTENDED ADDITIONAL WORK.



- GENERAL NOTES:**
- REFER TO DRAWING CM502 FOR TELECOMMUNICATIONS SYMBOLS AND ABBREVIATIONS LEGEND.
 - ALL CONDUIT AND BOXES ARE PROVIDED AND INSTALLED BY THE ELECTRICAL CONTRACTOR.

FLOOR PLAN - CONCOURSE LEVEL, OVERALL
CM102 SCALE: 1/32"=1'-0"

ELLERBE BECKET

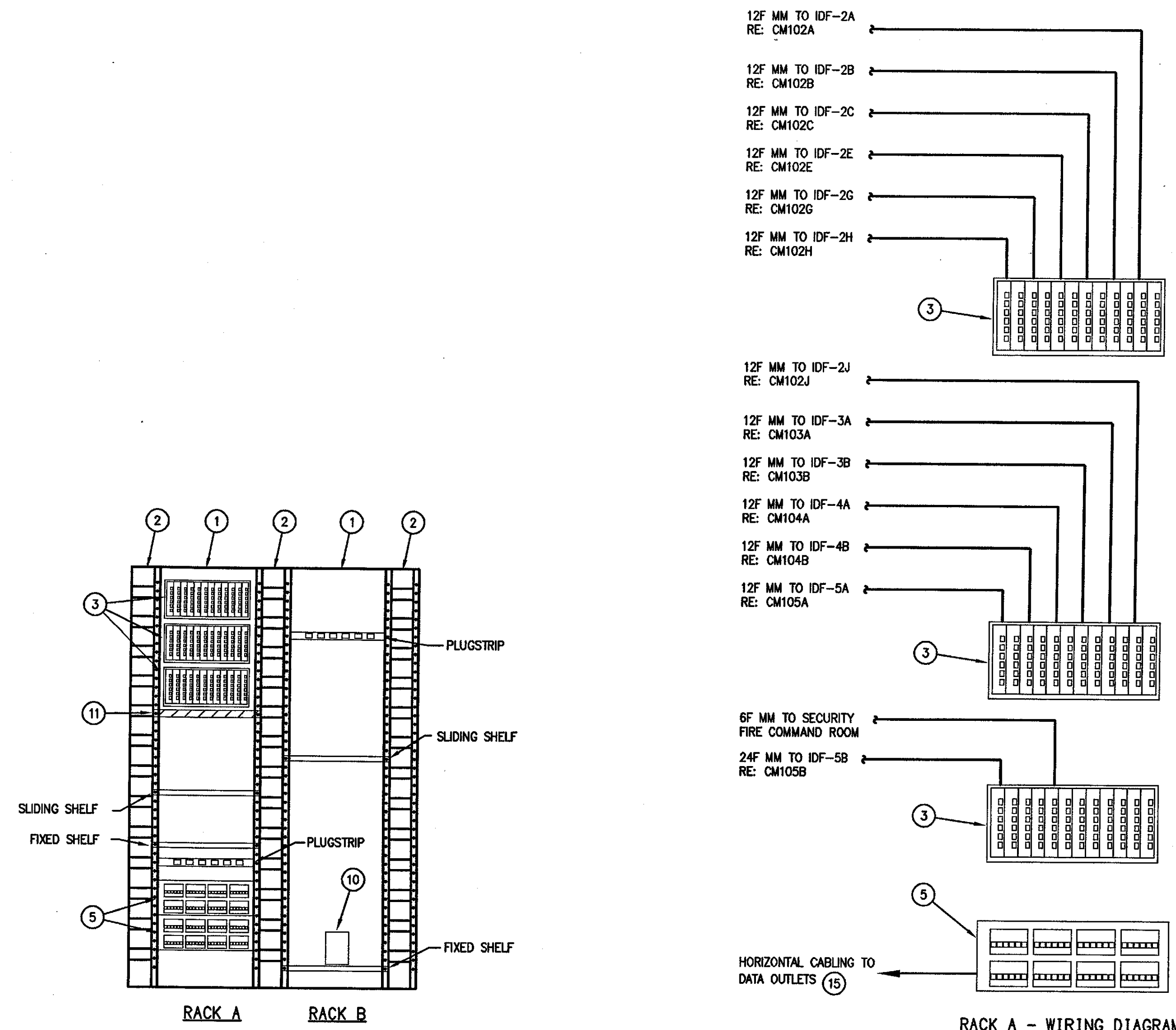


4600 Madison Avenue
Suite 1000
Kansas City, MO 64112
816 561 4443

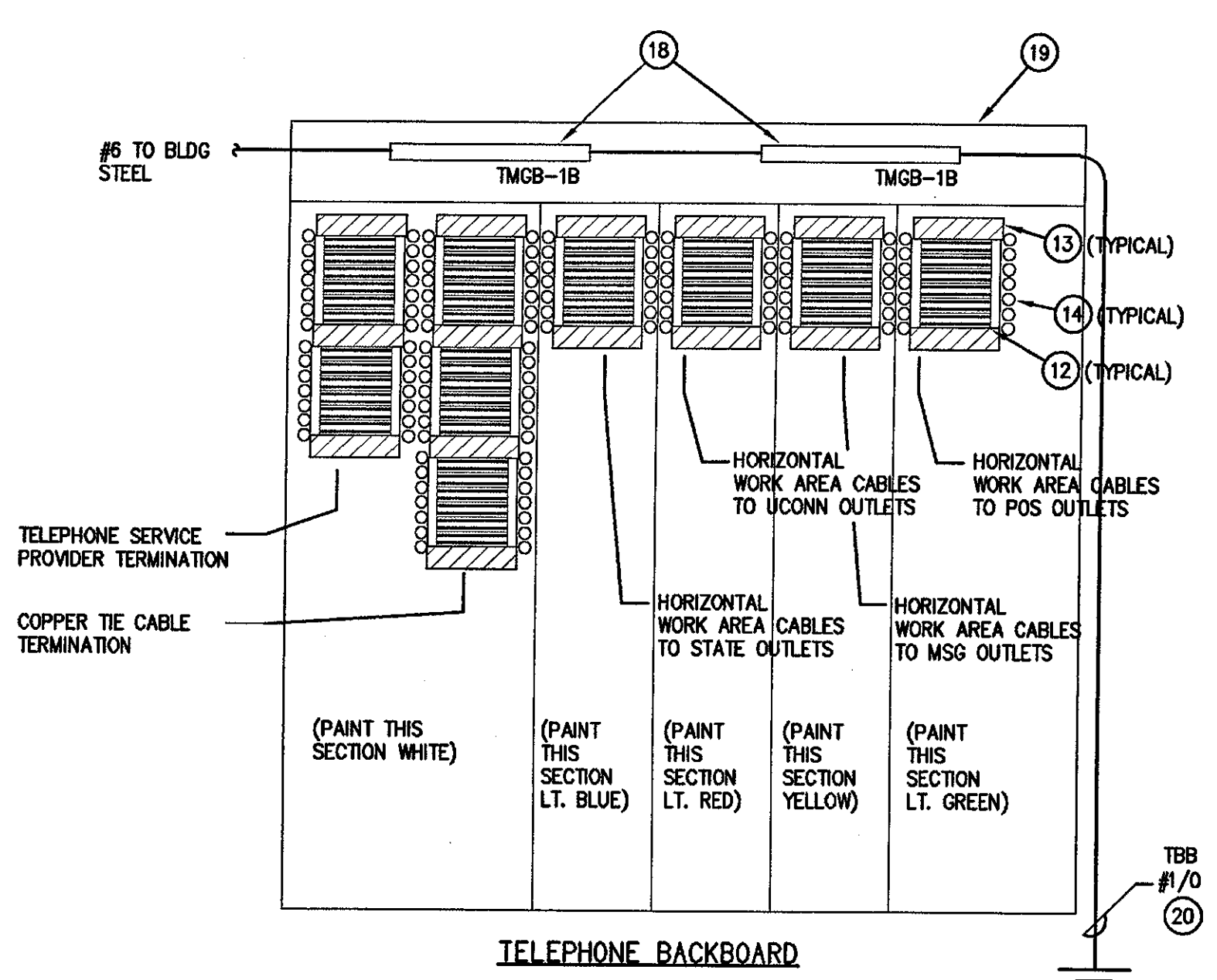
Ellerbe Becket, Inc.

© 2003 Ellerbe Becket
TELECOMMUNICATIONS CONCOURSE FLOOR PLAN OVERALL
Scale AS SHOWN

Date 08.30.03 Comm. No. 1013.0002.00
In Charge GM RECORD DOCUMENTS
Drawn By RSP
Checked By CLF **CM102**

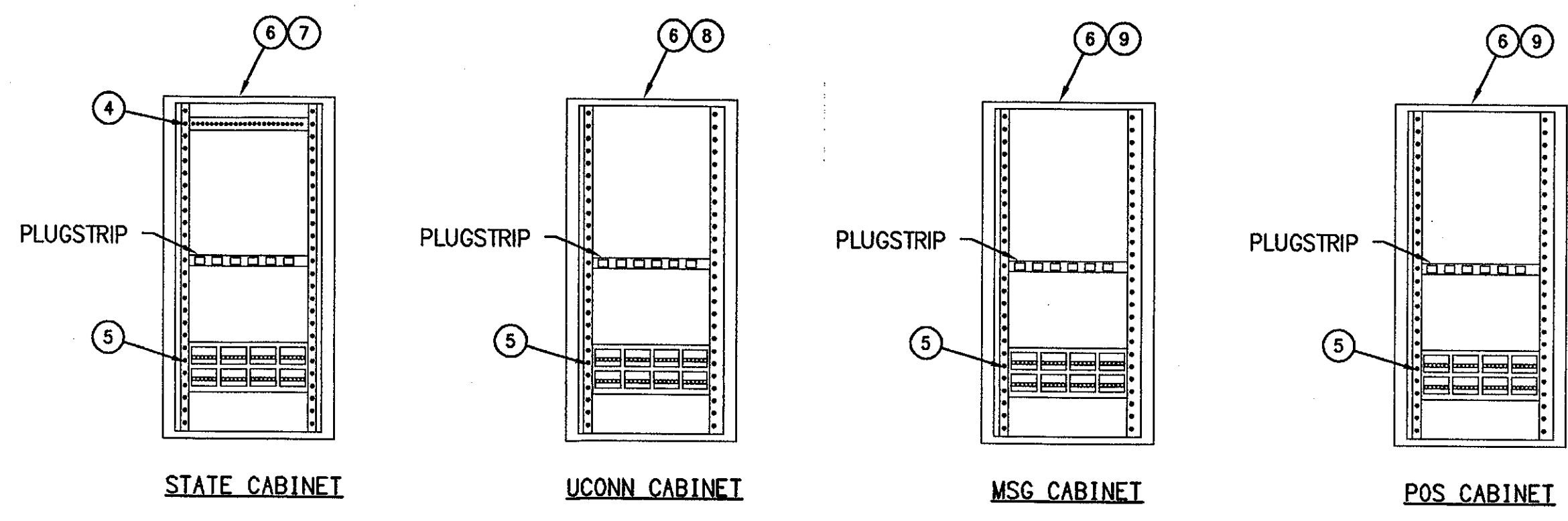


1 DETAIL - MDF-1B ROOM RACK DETAILS AND WIRING DIAGRAMS
CM901 SCALE: NONE

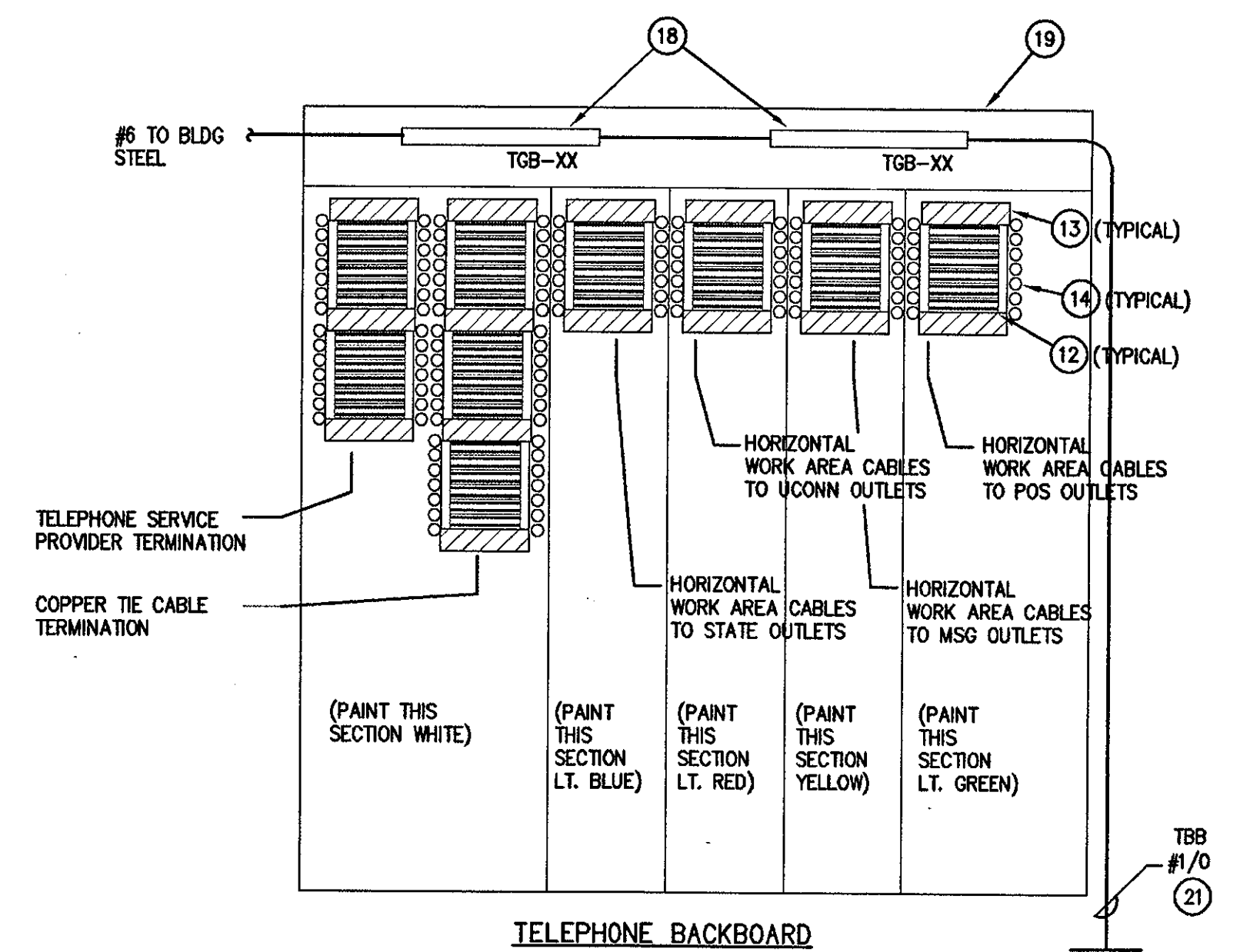


GENERAL NOTES:
1. REFER TO SHEET CM902 FOR THE TELECOMMUNICATIONS SYMBOLS AND ABBREVIATIONS LEGEND.

- KEYED NOTES:**
- PROVIDE NEW 19"x7'-0" BLACK ALUMINUM EA RACK. PROVIDE RACK WITH (1) 18" W FIXED SHELF, (1) 18" W SLIDING SHELF AND (1) 6 POSITION OUTLET STRIP RACK MOUNTED. BOLT RACK TO FLOOR.
 - PROVIDE VERTICAL CABLE MANAGER. CABLE MANAGER SHALL EXTEND FULL LENGTH OF RACK AND PROVIDE FRONT AND REAR MANAGEMENT.
 - PROVIDE 72 PORT FIBER OPTIC TERMINATION SHELF (LUCENT #ASTU-072/7). PROVIDE SHELF COMPLETE WITH ALL COUPLING PANELS, COUPLERS AND CONNECTORS. PROVIDE (15) 3'-0" (20) 5'-0" AND (20) 10'-0" FIBER PATCH CABLES TERMINATED WITH ST CONNECTORS. PROVIDE (20) 3'-0" DUPLEX FIBER OPTIC PATCH CABLES TERMINATED WITH ST CONNECTORS AT ONE END AND DUPLEX 568SC CONNECTORS AT THE OPPOSITE END.
 - PROVIDE 24 PORT FIBER OPTIC TERMINATION SHELF WITH SLIDING FRONT ACCESS. PROVIDE SHELF COMPLETE WITH 24 MULTIMODE ST COUPLINGS (LUCENT #60B-24STIMM-EW OR EQUAL). PROVIDE (5) 3'-0", (5) 6'-0" AND (5) 10'-0" FIBER PATCH CABLES TERMINATED WITH ST CONNECTORS. PROVIDE (10) 3'-0" DUPLEX FIBER OPTIC PATCH CABLES TERMINATED WITH ST CONNECTORS AT ONE END AND DUPLEX 568SC CONNECTORS AT THE OPPOSITE END.
 - PROVIDE 48 PORT COPPER PATCH PANEL (LUCENT #PM2150B-48 OR EQUAL) WITH CAT 3E POWER SUM RATED RJ45 CONNECTORS IN FRONT AND 110 STYLE CONNECTORS IN REAR OF PANEL. PROVIDE PANEL COMPLETE WITH ALL 48 CONNECTORS. PROVIDE (48) 10'-0" AND (48) 20'-0" GIGASPEED RATED PATCH CABLES TERMINATED WITH RJ45 CONNECTORS.
 - PROVIDE 48" H WALL MOUNTED DATA CABINET WITH FRONT SWING. PROVIDE CABINET WITH COOLING FAN, LOCKABLE PLEXIGLAS FRONT DOOR, 6-POSITION POWER STRIP WITH SURGE SUPPRESSION, GREAT LAKES #KLP481B, CLPP4802 DOOR, 7219-S POWER STRIP AND #7217 COOLING FAN OR EQUAL. PROVIDE NITRO BLUE COLOR.
 - PROVIDE CABINET LEXAN NAMEPLATE WITH WHITE LETTERS ON A LIGHT BLUE BACKGROUND. REFER TO SPECIFICATIONS.
 - PROVIDE CABINET LEXAN NAMEPLATE WITH WHITE LETTERS ON A LIGHT RED BACKGROUND. REFER TO SPECIFICATIONS.
 - PROVIDE CABINET LEXAN NAMEPLATE WITH WHITE LETTERS ON A YELLOW BACKGROUND. REFER TO SPECIFICATIONS.
 - PROVIDE 700VA UPS (LIEBERT POWERSURE PROACTIVE UPS OR EQUAL).
 - PROVIDE 1.75" H FRONT HORIZONTAL CABLE MANAGEMENT.
 - CAT 5, 300 PAIR 110 BLOCK (LUCENT #110AW2-300 OR EQUAL). PROVIDE WITH CONNECTORS, LABELS AND HOLDERS. PROVIDE CROSS-CONNECT CABLING AS REQUIRED.
 - PROVIDE CABLE MANAGEMENT TROUGH AS SHOWN (LUCENT #110A2 JUMPER TROUGH OR EQUAL).
 - PROVIDE CABLE MANAGEMENT SPOOLS AS SHOWN.
 - REFER TO FLOOR PLAN DRAWINGS FOR QUANTITY AND LOCATION.
 - PROVIDE CROSS-CONNECT CABLING AS REQUIRED TO ACTIVATE CIRCUITS.
 - PROVIDE LUU FIBER INTERCONNECTION UNIT (LUCENT #100A3 OR EQUAL). PROVIDE WITH KEY LOCK, COUPLING PANELS, COUPLERS AND CONNECTORS. PROVIDE CROSS-CONNECT CABLING AS REQUIRED.
 - TELECOMMUNICATIONS GROUNDING BUSBAR. REFER TO SPECIFICATION SECTION 16300. LABEL BUSBAR AS SHOWN - REPLACE 'XX' WITH 'FLOOR' AND 'AREA' CODE.
 - 8' X 8' PLYWOOD BACKBOARD SECTION RESERVED FOR TELEPHONE EQUIPMENT. RE: CM FLOOR PLAN DRAWINGS FOR LOCATION.
 - ROUTE TO BUILDING GROUND BAR. FIELD COORDINATE EXACT LOCATION.
 - ROUTE TO TOMB LOCATED IN MDF-1B ROOM.



3 DETAIL - TYPICAL WALL MOUNT DATA CABINETS
CM901 SCALE: NONE

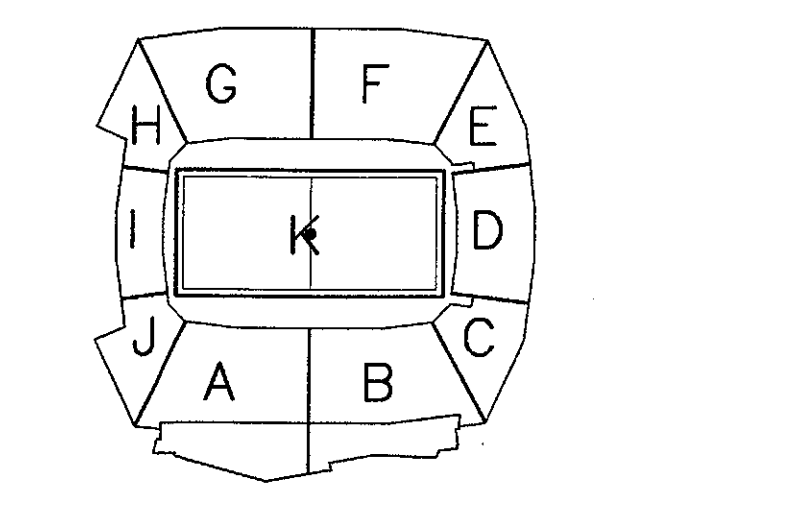


3 DETAIL - TYPICAL IDF ROOM TELEPHONE BACKBOARD
CM901 SCALE: NONE

THE STADIUM AT RENTSCHLER FIELD

Owner State of Connecticut		Landscape Design CR3 571 Hopmeadow Street Shelton, CT 06489 Telephone: 860.658.1988 Facsimile: 860.658.1217	
Architect Ellerbe Becket, Inc. 605 West 47th Street, Suite 200 Kansas City, MO 64112-1985 Telephone: 816.561.4443 Facsimile: 816.561.2883		Food Service The Bigelow Companies 1575 Universal Avenue, Suite 156 Kansas City, MO 64129 Telephone: 816.483.5553 Facsimile: 816.483.5519	
Structural Engineering BVH Integrated Services 50 Griffin Road South Bloomfield, CT 06002 Telephone: 860.286.9171 Facsimile: 860.242.8238		Mechanical/Electrical Engineering DTC 556 Washington Ave North Haven, CT 06473 Telephone: 203.238.4200 Facsimile: 203.234.7376	
Mechanical/Electrical Engineering GZA GeoEnvironmental 27 Bank Road Norwalk, CT 06856 Telephone: 860.875.7655 Facsimile: 860.872.2416		Civil Engineering/Trails Fuss & O'Neill 146 Hartford Road Manchester, CT 06049-5293 Telephone: 860.646.2469 Facsimile: 860.643.6513	
Code Analysis F P & C Consultants, Inc. 933 West Parkway, Suite 225 Kansas City, MO 64114 Telephone: 816.523.3377 Facsimile: 816.523.8256		Vertical Circulation Syska & Hennessy One Broadway, 9th Floor Cambridge, MA 02142 Telephone: 617.577.9900 Facsimile: 617.577.9191	
Auditor/Anal Pelton Marsh Kinsella 1420 W. Montclair Lane, Suite 400 Dallas, TX 75247-4951 Telephone: 214.688.2444 Facsimile: 214.851.7408		Signs/Trails MST 1891 W. Earth Avenue Littleton, CO 80120-4602 Telephone: 303.781.1440 Facsimile: 303.781.2827	

THESE RECORD DOCUMENTS HAVE BEEN PREPARED BASED ON INFORMATION SUPPLIED TO THE ARCHITECT/ENGINEER BY OTHERS. THE ARCHITECT/ENGINEER HAS NOT INDEPENDENTLY VERIFIED THE INFORMATION AND DISCLAIMS RESPONSIBILITY FOR THE ACCURACY AND COMPLETENESS THEREOF. THESE DRAWINGS ARE FOR REFERENCE ONLY AND ARE NOT TO BE USED FOR CONSTRUCTION WITHOUT DRAWINGS AND CALCULATIONS SPECIFICALLY PREPARED FOR ANY INTENDED ADDITIONAL WORK.



ELLERBE BECKET

4600 Madison Avenue
Suite 1000
Kansas City, MO 64112
816.561.4443

Ellerbe Becket, Inc.
© 2003 Ellerbe Becket

TELECOMMUNICATION SCHEMATIC RISER DIAGRAM

Scale AS SHOWN

Date 08.30.03 Comm. No. 1013.0002.00
In Charge GLM RECORD DOCUMENTS
Drawn By RSF
Checked By CLF

CM901

